

GS/GM 80P

Model:
GM 80 P

Part List English

29-11-2014

Nilfisk

www.nilfisk.com

Table of Contents

GS/GM 80P

Motor head, all models	3
Motor and motor wire, all models	5
Cords for motor head	7
Exhaust filters and sound suppressor	9
Diffuser, filter	11
Upper / lower container, accessories, Dust bag	13
Hoses and tubes 32mm	15
Nozzles 32mm	17

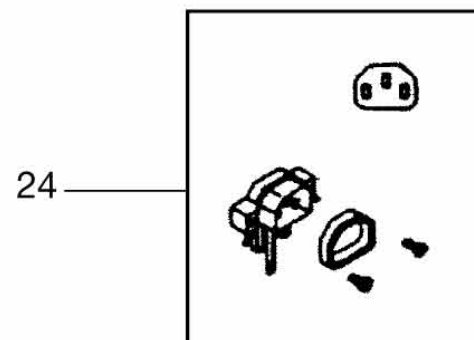
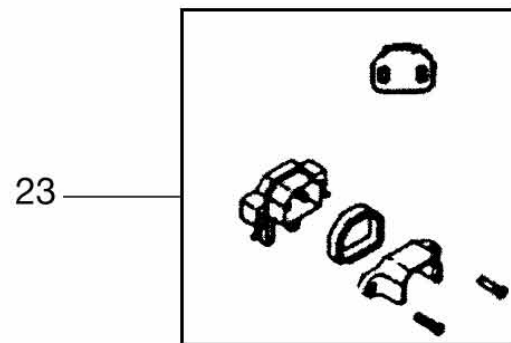
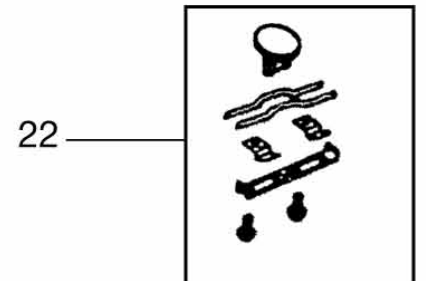
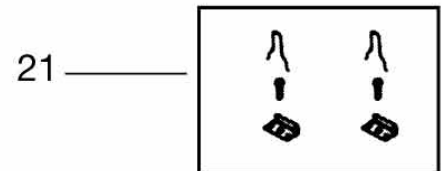
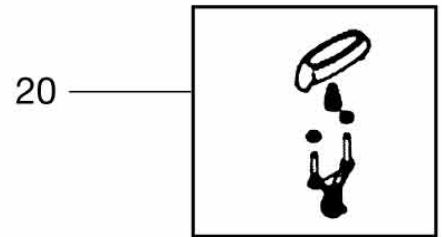
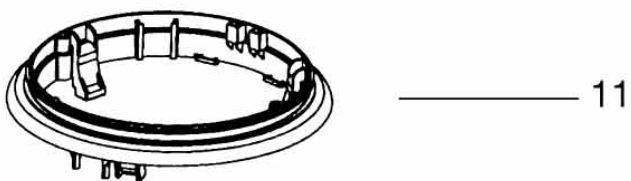
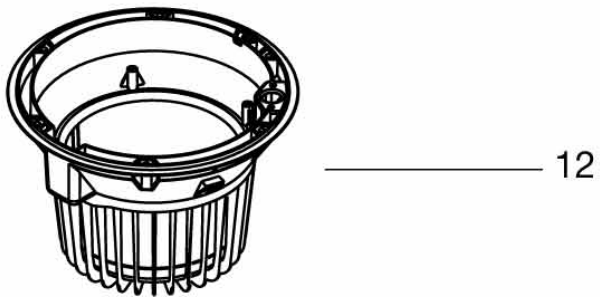
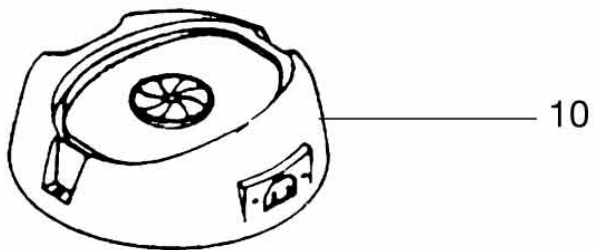
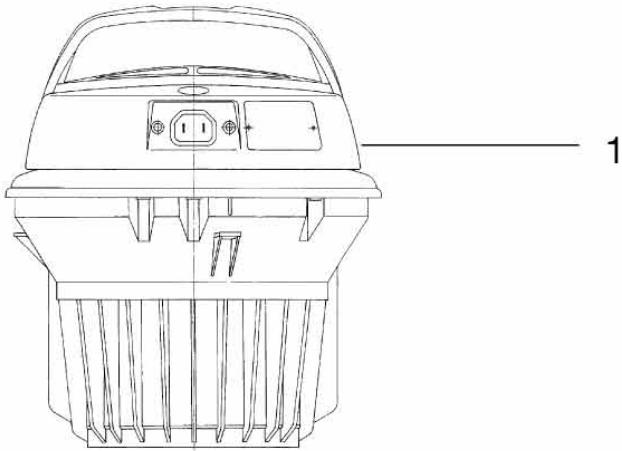
Motor head, all models

GS/GM 80P

29-11-2014

Part List ID B1333

3



Motor head, all models

GS/GM 80P

29-11-2014

Part List ID
B1333

4

Pos	Part no.	Qty	Description
0	107401795	1	GM 80 CN KIT can be closed ultimo 2010
0	82218700	1	PACKAGE F MOTOR TOP GM80
1	12108127	1	MOTOR GSP 100V JAPAN
1	12108129	1	GSP motor 110v 850w
1	12108148	1	MOTOR GSP 200V JAPAN
1	12108153	1	GSP MOTOR 230V 900W
1	12108253	1	GSP 230v 900w fixed cable OBSOLETE
1	12108329	1	GSPJ Motor 110-120v
1	12108348	1	MOTOR GSPJ 220V JAPAN
1	12108353	1	GSPJ Motor 220-240v
1	12110127	1	MOTOR GMP 100V JAPAN
1	12110129	1	GMP Motor 110-120v
1	12110327	1	MOTOR GMPJ 100V JAPAN
1	12110329	1	GMPJ Motor 110-120v
1	12112153	1	GMP MOTOR 230V 1200W
1	12112253	1	GMP 230v 1200w fixed flex OBSOLETE
1	12112353	1	GMPJ Motor 220-240v
10	22232300	1	Kit for Motor Top
11	22232500	1	SUPPORT RING KIT MOTORS
12	22231200	1	KIT F.NEDRE MOTORKAPPE-EU
12	22231201	1	BOTTOM HOUSING WITH VALVE FOR GS/GM MOTOR UL-APPRO
20	22410500	1	ON/OFF DEVICE FOR GS/GM MOTORS
21	22410400	1	LOCKING DEVICE FOR HANDLE GS/GM MOTORS
22	20705300	1	THERMO VALVE COMPL.W.PART FOR MOTOR HEAD GS/ GM SB DK 2000-007
23	20705400	1	SOCKET STANDARD W PARTS FOR MOTOR HEAD GS/GM
24	20705500	1	SOCKET EARTHED W.PARTS FOR MOTOR HEAD GS/ GM

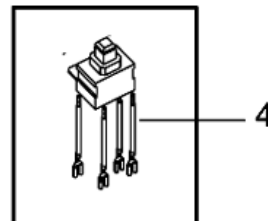
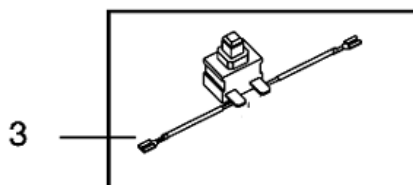
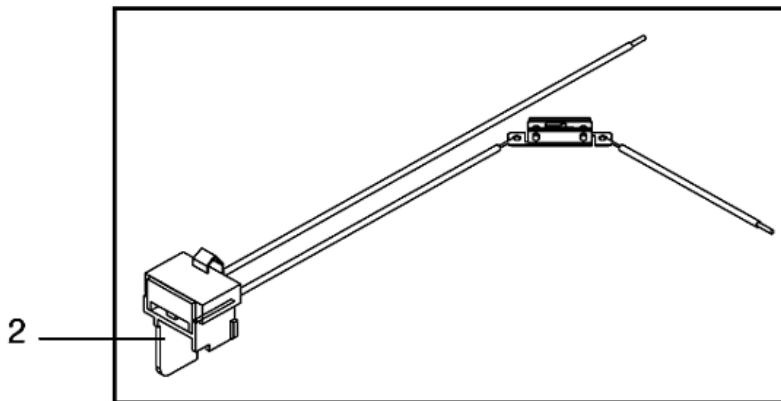
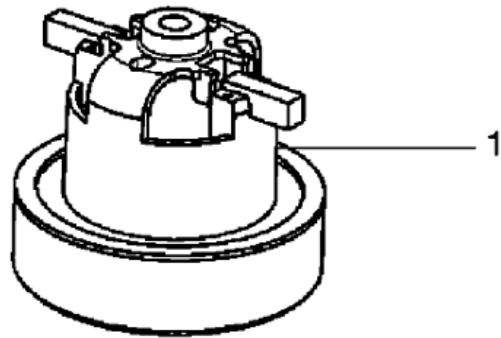
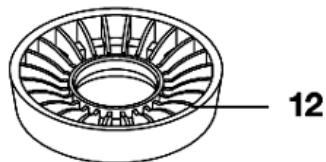
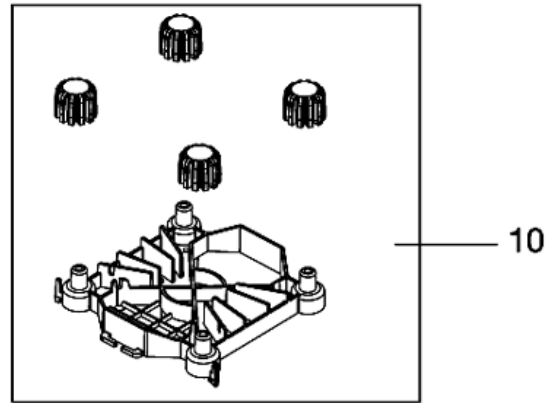
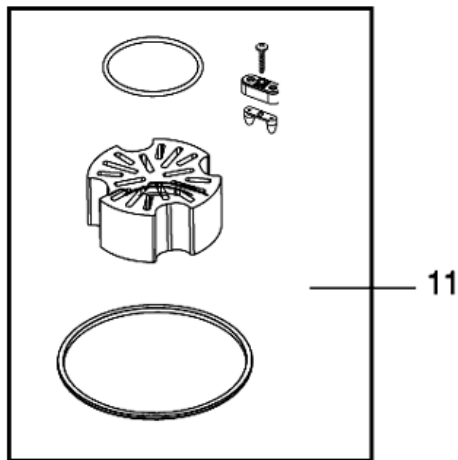
Motor and motor wire, all models

GS/GM 80P

29-11-2014

Part List ID B1335

5



Motor and motor wire, all models

GS/GM 80P

29-11-2014

Part List ID

B1335

6

Pos	Part no.	Qty	Description
1	12125001	1	Motor/Fan GD1000
1	12125002	1	MOTOR/FAN GD1000
1	12125003	1	Motor/Fan GD1000
1	12125005	1	Motor/Fan GD1000
2	22130500	1	Internal Wire Kit
2	22130501	1	TERMOREL# M.KONDENSATOR
3	22131100	1	On/Off Switch - single pole
4	22131200	1	On/Off switch - twin pole
10	107401268	1	MOTOR KIT FOR AMATEK
10	22231100	1	SERVICEKIT F.MOTOROPH#NG TIL GD1000 OG MOTORTOPPE
11	22365300	1	SOUND ABSORBER AND GASKET GS/GM MOTOR
12	22399800	1	GASKET FOR INLET for old motor type outph. 2001
12	22399810	1	INLET GASKET, AMETEK FAN IS F/AMETEK MOTOR

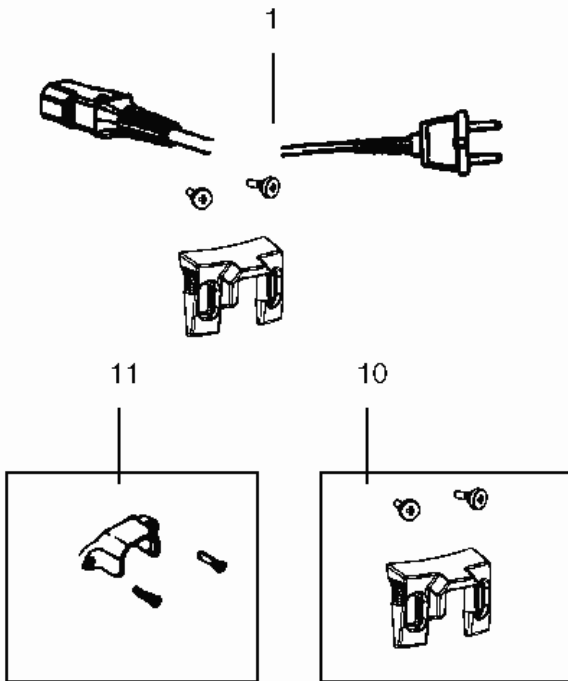
Cords for motor head

GS/GM 80P

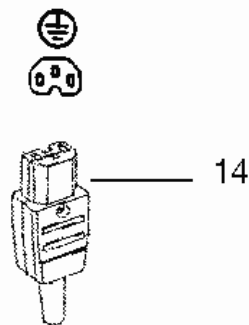
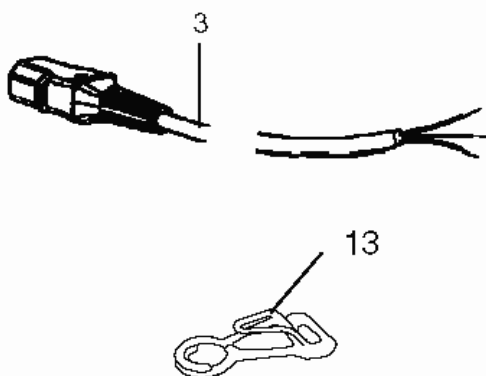
29-11-2014

Part List ID B1337

7



Cord with plug/socket for bracket, item 10 or 11, for GM 80-90 series			
	Rating	Plug type	
EU	250		
UK	250		
AUS/NZ	250		
CH	250		
USA/CAN	120		
USA/CAN Grounded	120		
Italy Institutional	250		



Cords for motor head

GS/GM 80P

29-11-2014

Part List ID B1337

8

Pos	Part no.	Qty	Description
1	107408837	1	CORD SET 9.3M 3x1.25 JP PLUG NILFISK CO
1	147 0764 500	1	CORD SET GM80 CN
1	21545400	1	Flex 7m
1	21545700	1	10M CORD 3X1.0 CON/NOPLUG
1	21545900	1	Flex 10m
1	21547900	1	10m CORD 2*1.0 CON/NOPLI
1	21548000	1	7M CORD 2X1.0 CON./EU
1	21584900	1	30M CORD 2X1.0 CON./EU
1	21746500	1	7m Cord 2*1.0 Con UK
1	21746600	1	10M CORD 2X1.0 CON./UK c/w plug
1	21905400	1	7M CORD 2X1.0 CON./AUS&NZ
1	21905600	1	10M CORD 2X1.0 CON/AUS&NZ
1	21907800	1	10M CORD 2X1.0 CON./CH NEW VERSION W/BRACKET
1	21907900	1	7M CORD 2X1.0 CON./CH
1	21952200	1	9.3M CORD AWG18/2 CON./US
1	22146000	1	10M CORD 2X1.0 CON./ITALY
3	21545400	1	Flex 7m
3	21545700	1	10M CORD 3X1.0 CON/NOPLUG
3	21547900	1	10m CORD 2*1.0 CON/NOPLI
10	22361000	1	CLIP
11	22131600	1	Clamp Motor Socket
13	82195800	1	LEDNINGSHOLDER
14	L00191024	1	SOCKET W GROUNDED TERMINA

Exhaust filters and sound suppressor

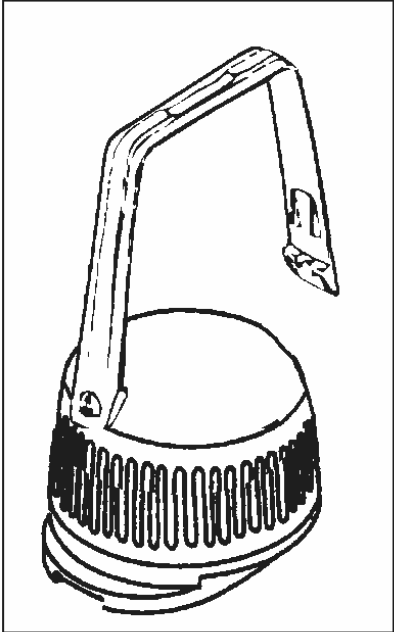
GS/GM 80P

29-11-2014

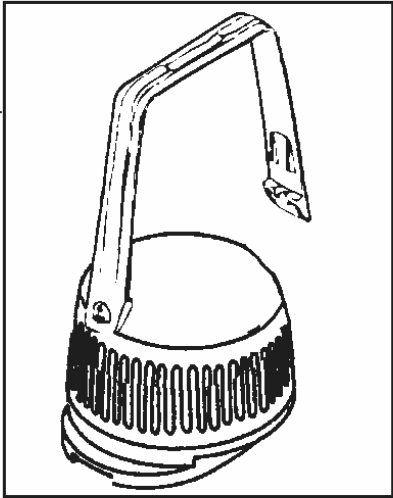
Part List ID

B1339

9

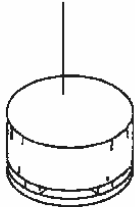


1

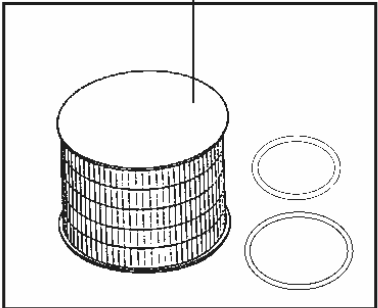


4

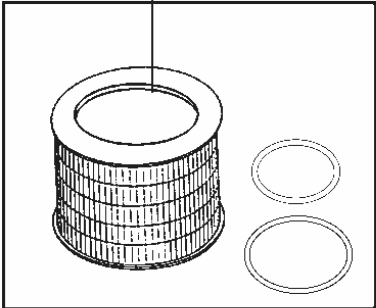
4A



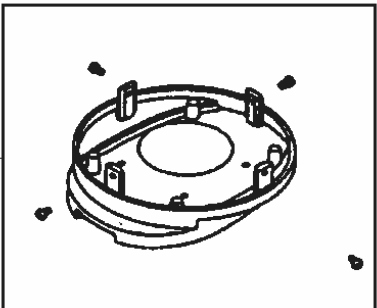
2



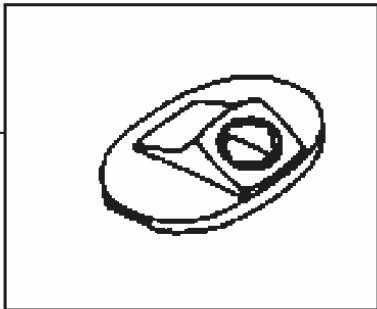
3



9

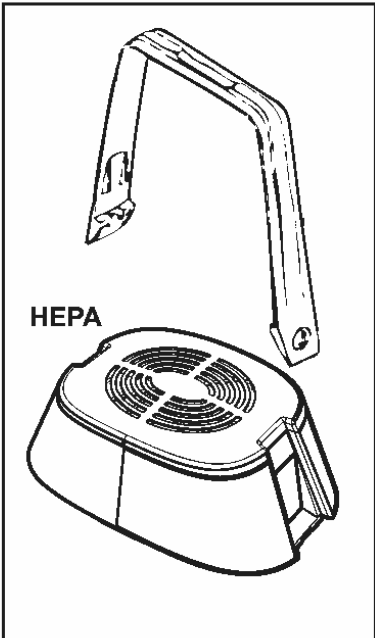


5

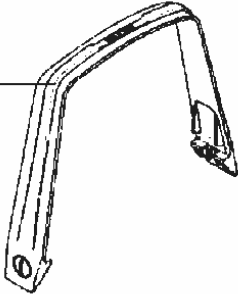


HEPA

6

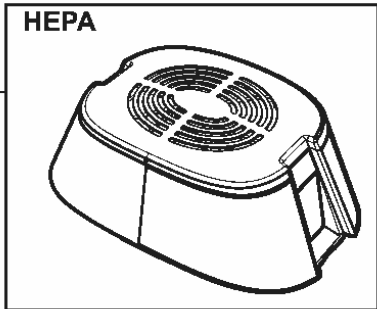


10



7

HEPA



Exhaust filters and sound suppressor

GS/GM 80P

29-11-2014

Part List ID

B1339

10

Pos	Part no.	Qty	Description
0	61543000	1	COTTON FILTER GM 80/81
1	11731003	1	HEPA/ULPA MOUNTING KIT
2	21738000	1	FILTER ELEMENT HEPA
3	21739000	1	ULPA FILTER ELEMENT GS/GM
4	11750703	1	SOUND SUPPRESSOR GREY
5	11562000	1	BLOWING COUPLING GS/GM
5	11562001	1	BLOWING COUPLING GS/GM80 GREY
6	82146700	1	HEPA FILTER
7	82147100	1	HEPA REPLACEMENT FILTER
9	22383900	1	BASE FOR FILTER KIT
10	147 1138 500	1	GM 80 HANDLE KIT
4A	21750900	1	Sound Cartridge

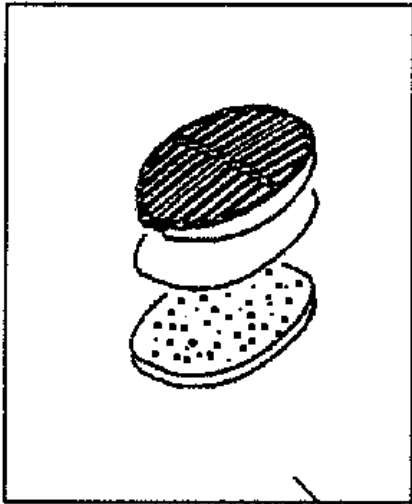
Diffuser, filter

GS/GM 80P

29-11-2014

Part List ID
B13311

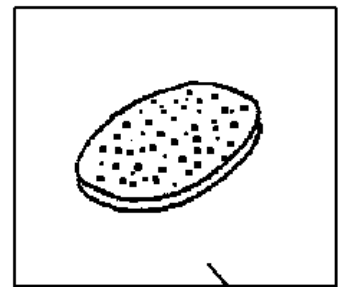
11



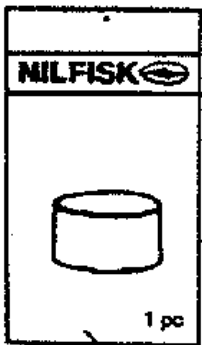
1



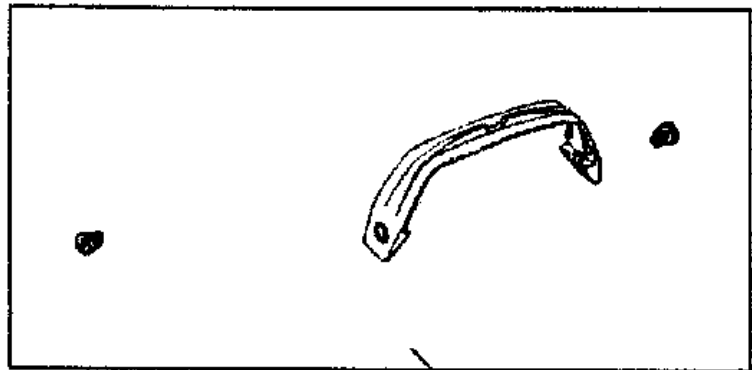
2



10



4



5

Diffuser, filter

GS/GM 80P

29-11-2014

Part List ID
B13311

12

Pos	Part no.	Qty	Description	
1	107401733	1	EXHAUST KIT FOR GM80	black color
1	21573001	1	DIFFUSER COMP GS/GM	grey color
2	11693700	1	DIFFUSER FILTERS 2 PCS	
4	11730410	1	MICRO FILTER	
5	22132000	1	HANDLE	
5	81527801	2	Handle locking pivot	FOR FIXING OF THE HANDLE
10	82135800	1	Diff user Pad	

Upper / lower container, accessories, Dust b

GS/GM 80P

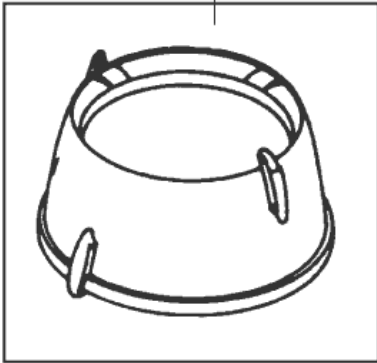
29-11-2014

Part List ID

B13313

13

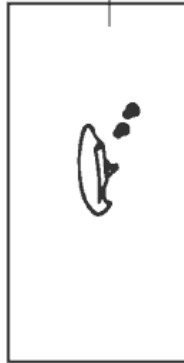
1



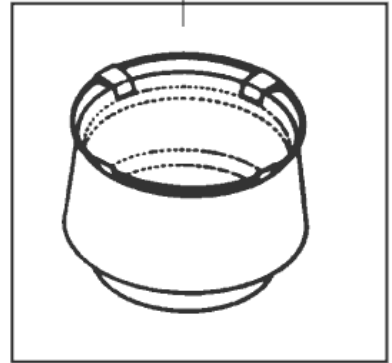
2



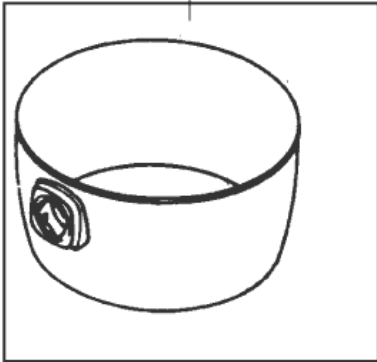
3



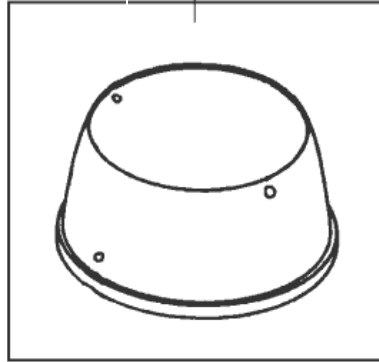
4



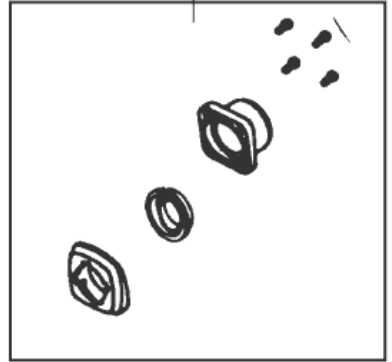
5



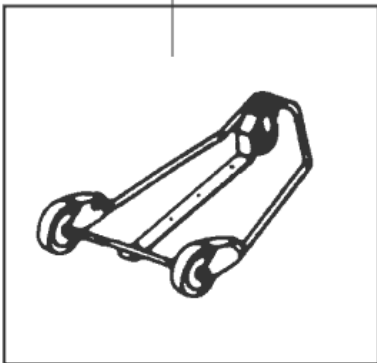
12



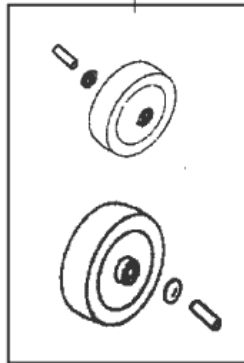
6



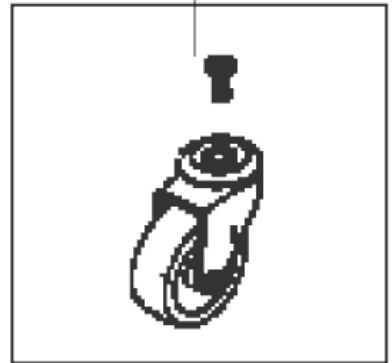
7



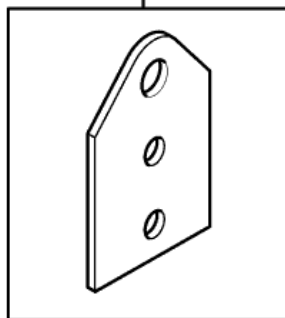
7A



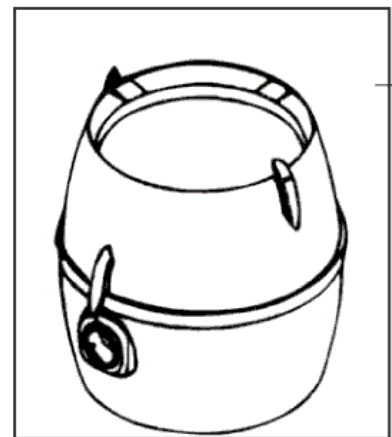
11



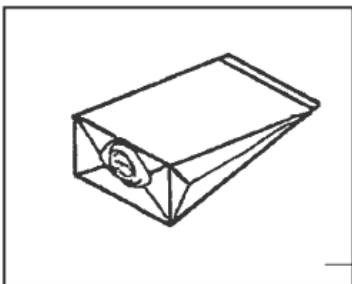
14



10



13



Upper / lower container, accessories, Dust b GS/GM 80P

29-11-2014

Part List ID B13313

14

Pos	Part no.	Qty	Description	
0	107401642	1	TROLLEY KIT FOR GM 80 US	Only for US
0	81718001	1	CARDBOARD BOX PACKING F. GS/GM 80/90 PROFF	
1	11735311	1	CONTAINER U.PART GM80	
1	81107600	1	Surround GS/GM 80	Not shown on drawing
2	22142400	1	CLIP 2 PIECES	
3	22142500	1	Container Clip	
4	61909800	1	GORE-TEX FILTER GM 80/081	
4	62048000	1	GORE-TEX NON STATIC FILTER GM 80/81	
4	62348600	1	FILTER POLYESTER GS/GM 80 +81 GREEN	
4	82243100	1	NOMEX FILTER GM 80/81	
5	11544710	1	Container bottom GS80	
6	22142300	1	Bay onnet fitting complete 80/90	
7	11490500	1	Trolley GS/GM80 Prof	
10	11737011	1	Container GM80	
11	22384800	1	WHEEL Kiy GOT NOZZLE WAGON	
12	71107400	1	BEH. OVERPART GM 80	
13	81620000	1	PAPER BAGS 5 PACK GS/GM80/90	
13	81620000	1	PAPER BAGS 5 PACK GS/GM80/90	
14	147 1491 500	1	ADAPTER KIT	
7A	22394700	1	WHEELS GS/GM80P REPLACED 22357600	

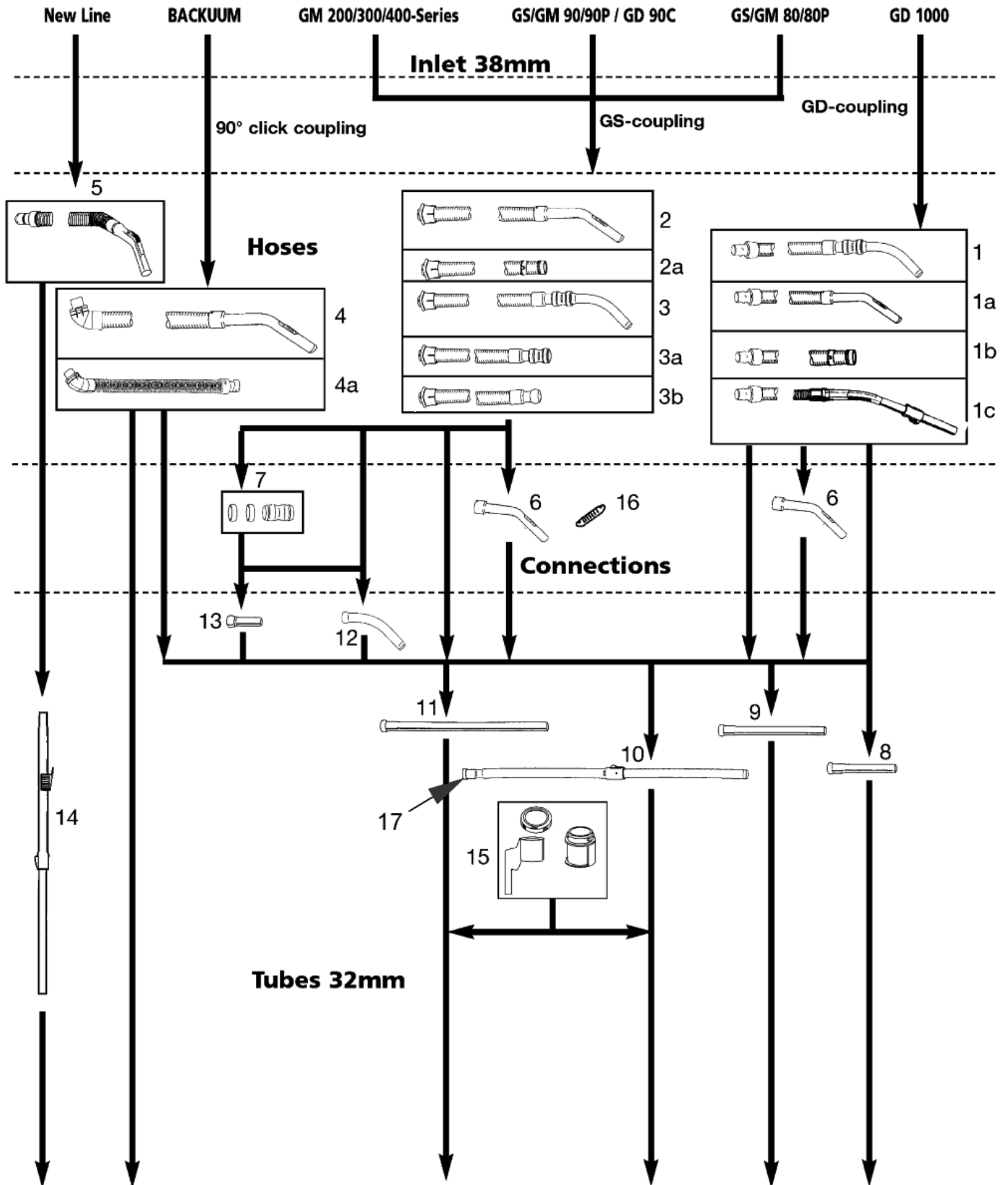
Hoses and tubes 32mm

GS/GM 80P

29-11-2014

Part List ID
B13315

15



See
New-
Line
nozzles

See
nozzles
for
32mm

Hoses and tubes 32mm

GS/GM 80P

29-11-2014

Part List ID
B13315

16

Pos	Part no.	Qty	Description
0	11543700	1	Hose rubber 32/38 x 2m
2	12041500	1	PLASTIC B/F HOSE WITH PLAS CURVED TUBE 32MM 2M
3	11717000	1	RUBBER HOSE 32/38MM 2M
3	12097500	1	PLASTIC B/F HOSE WITH STEEL CURVED TUBE 32MM 2M
6	21640503	1	Curved Tube Plastic
7	22344400	1	MUFF KIT
7	22344600	1	CONSUMER MUFF KIT 32mm
8	11182500	1	EXT TUBE 32MM X 200MM STEEL
9	11112401	1	STEEL TUBE 32MM 560MM
10	81906500	1	TELESCOPIC TUBE 32MM MAX LENGTH 113CM
11	11262400	1	TUBE 32MM X 1000MM ALUM
12	107402630	1	TUBE BENT END D32 STEEL KIT
13	11141900	1	Short tube b/end 32x140mm
14	147 0502 500	1	TELESCOPIC TUBE BLACK KIT
14	22190400	1	TELESCOPIC PIPE COMPL. NEWLINE
15	22147600	1	Parking clip for 400's
16	22351000	1	SHUTTER GREY 32mm
17	81192100	1	Tube ring 32mm plastic fits 11112401 only
17	81948300	1	RING F. TELESKOPR?R
2A	22041400	1	CONICAL PLAST TUBE
3A	11543600	1	Hose rubber tapered 2m
3A	12097600	1	2M PLASTIC HOSE 38/32MM C/W PLAST B/F, MUFF & RIN
3B	22097400	1	Hose Plastic Grey

Nozzles 32mm

GS/GM 80P

29-11-2014

Part List ID
B13317

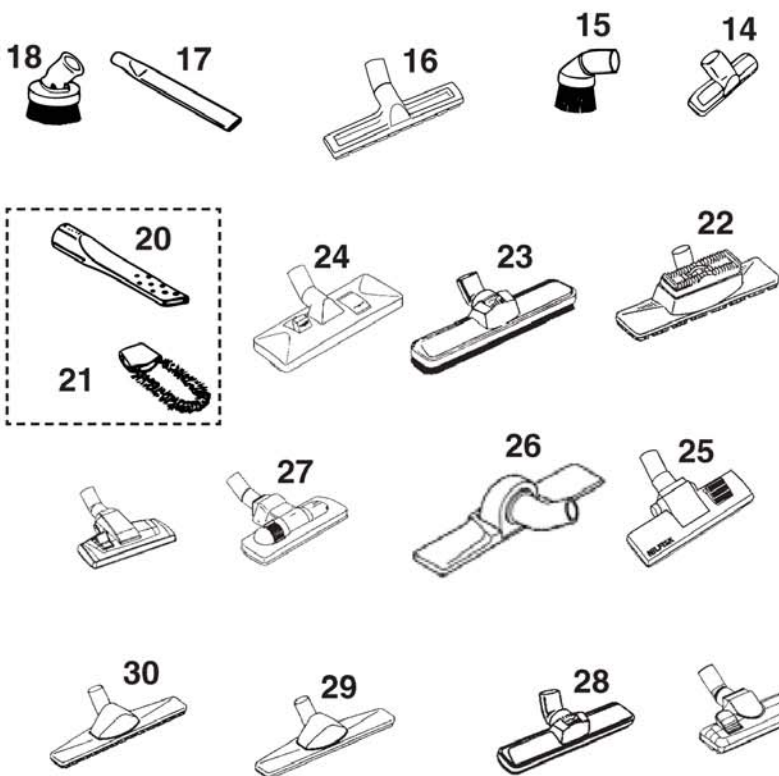
17

See hose connection diagram for 38mm hoses

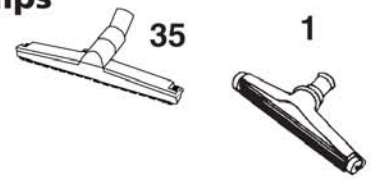
32

See hose connection diagram for Tapered 38/32mm and 32mm

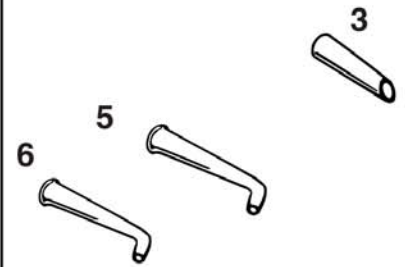
Brushes & nozzles



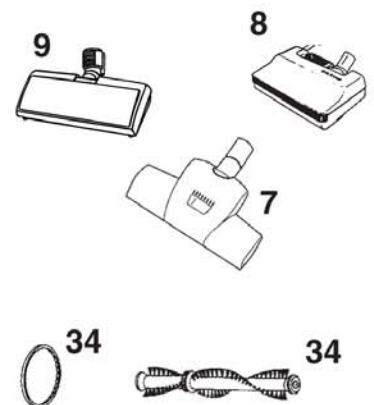
Aluminium nozzle with adjustable lips



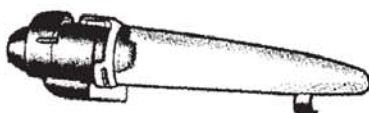
Flexible nozzles



Special nozzle



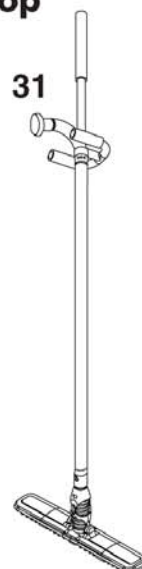
Pre-serarators 36



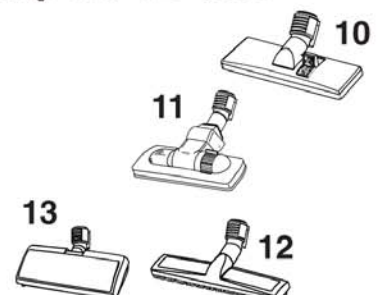
Pelican 33



NilfiskMop



Nozzles with parking clip for GD 1000



Nozzles 32mm

GS/GM 80P

29-11-2014

Part List ID
B13317

18

Pos	Part no.	Qty	Description	
1	11505100	1	WFN 32 x 400mm ali USE 82366900	Machine outphased 1999
1	82366900	1	WHEELED FLOOR NOZZLE 300MM 32MM	
3	81140900	1	CONE 32MM PLASTIC	
4	81140900	1	CONE 32MM PLASTIC	
5	81141101	1	RUBBER CONE 32MM 90 DEGREE 240MM	
6	81141103	1	NOZZLE FLEX ?32MM SILICONE 65 SHORE 240MM	Autoclavable
6	81932600	1	NOZZLE ANTISTATIC BLACK 32MM X 240 MM	
7	22360000	1	TURBO NOZZLE KIT BLACK	
8	22360000	1	TURBO NOZZLE KIT BLACK	
9	147 0822 000	1	WOUNDED CABLE	Only cable
9	22203000	1	ELECTRO NOZZLE FOR GD SERIES	
14	32043700	1	UPHOLSTERY NOZZLE COMPLETE	
15	11276901	1	ROUND BRUSH 32MM PLASTIC	
15	22103600	1	ROUND BRUSH (ALLERGIC)	
15	22302500	1	BRUSH ROUND BLACK 100% NATURAL FIBRE F.32MM TUBE	
17	81141200	1	CREVICE NOZZLE INSULATED PLASTIC 32MM 360MM	
18	11276901	1	ROUND BRUSH 32MM PLASTIC	
19	11140300	1	CLOTHES BRUSH 32MM	
20	81530400	1	CREVICE NOZZLE 32MM PLASTIC	
21	11530500	1	CREVICE NOZZLE BRUSH 32MM	
22	22359800	1	COMBI DELUXE NOZZLE 32MM	
23	11426700	1	HARD FLOOR BRUSH 32MM 280MM STATIONARY BRISTLE	
24	11980300	1	COMBI NOZZLE 32MM	
24	22412900	1	NOZZLE COMBI BLACK	
26	L00396347	1	FRENCH FLOOR NOZZLE, HARD OBSOLETE	
26	L00396348	1	FRENCH FLOOR NOZZLE, SOFT	
26	L00396349	1	FRENCH FLOOR NOZZLE, HARD	
27	22303900	1	Floor Nozzle for Arnoldi	
27	22359800	1	COMBI DELUXE NOZZLE 32MM	
28	11276800	1	CARPET NOZZLE 32MM X 280MM	
29	11476200	1	CARPET NOZZLE 32MM 400MM	
30	11476301	1	HARD FLOOR BRUSH 32MM 400MM	
31	17830003	1	NILFISK MOP GS/GM	
31	17830004	1	NilfiskMop GS/GM OBSOLETE	
31	17830005	1	NILFISK MOP GS/GM	
31	17830007	1	MOP WITHOUT HOSE MEDIUM obsolete no replacement	
32	11503100	1	REDUCER TUBE 32/38MM	
33	22424800	1	PELICAN ACCESSORY	
34	81684500	1	Brush turbo nozzle	
34	81684600	1	Belt turbo nozzle	
35	82366900	1	WHEELED FLOOR NOZZLE 300MM 32MM	
36	140 7700 000	1	PRE SEPARATOR CYCLON PHAS E 1	