

# GD 930 GD 930S2

---

Model:  
GD 930  
GD 930 S2



Part List English

29-07-2013

# Nilfisk

[www.nilfisk.com](http://www.nilfisk.com)

# Table of Contents

GD 930 GD 930S2

<b>Lower parts after serial no. 3510124601423 (12.201</b>	<b>3</b>
<b>Lower parts before serial no. 3510124601423 (11.2</b>	<b>5</b>
<b>Container and Filters</b>	<b>8</b>
<b>Nozzles 32 mm</b>	<b>10</b>
<b>Hose and tubes</b>	<b>12</b>
<b>Power brush UZ 984 line drawing</b>	<b>14</b>
<b>RECOMMENDED SPARE PARTS</b>	<b>16</b>
<b>Wiring</b>	<b>18</b>

# Lower parts after serial no. 3510124601423 (12.

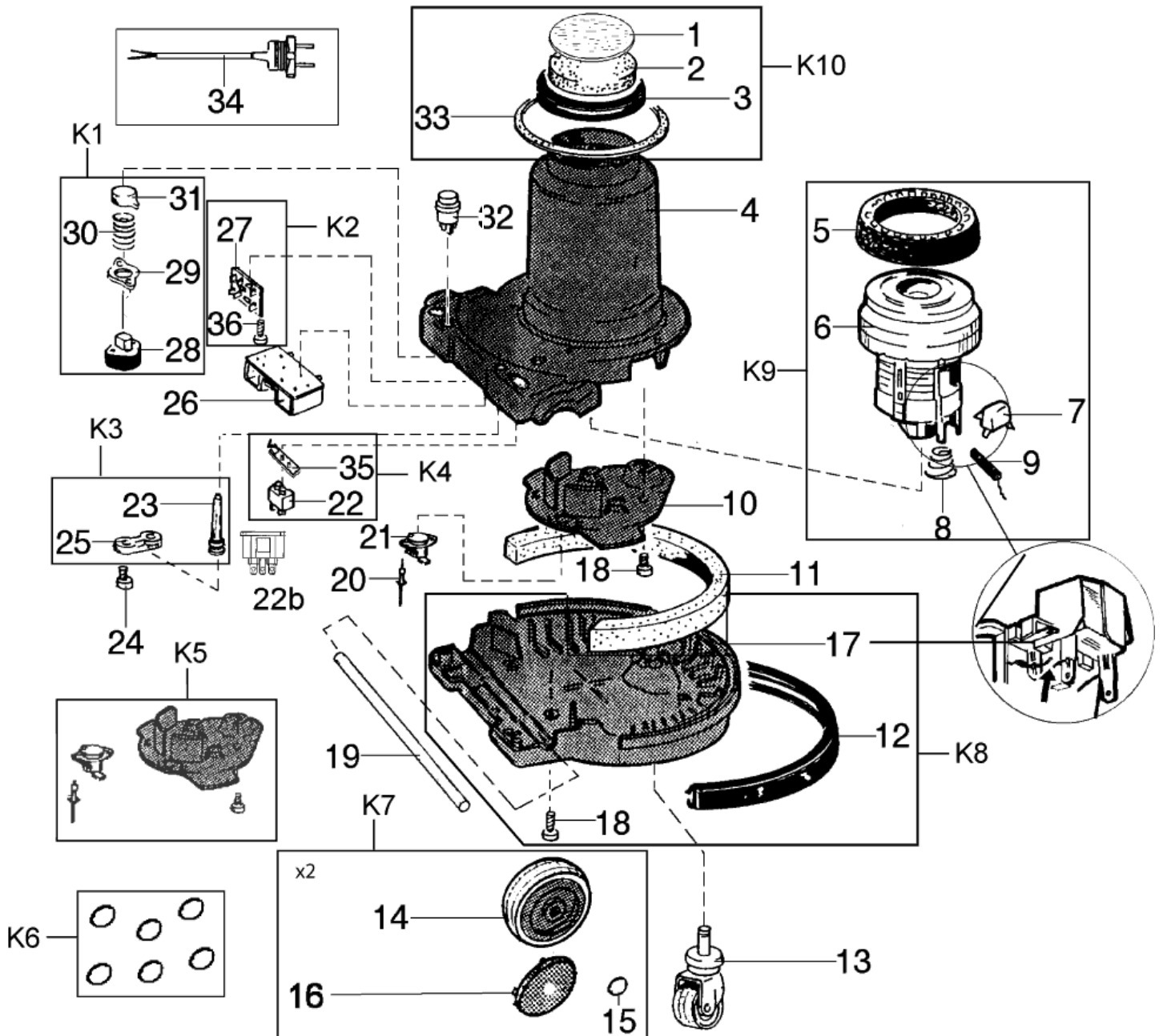
GD 930 GD 930S2

29-07-2013

Part List ID

GD9302

3



# Lower parts after serial no. 3510124601423 (12.1

GD 930 GD 930S2

29-07-2013

Part List ID

GD930Z

4

Pos	Part no.	Qty	Description	
1		1	NOTE COMMENT	part of kit K10
2	140 1535 510	1	FILTER UZ 930 110MM 3 PCS	
3		1	NOTE COMMENT	part of kit K10
5	140 7901 000	1	Suspension Ring	
6		1	NOTE COMMENT	part of kit K9
7	140 8166 010	1	CAPACITOR	
8	140 7016 000	1	SPRING	
9	140 7719 000	1	CARBON BRUSH	
10		1	NOTE COMMENT	part of kit K5
11	140 7022 500	1	MUFFLER STRIP	
12		1	NOTE COMMENT	part of kit K8
13	140 7025 500	1	WHEEL FRONT 1 PC 930-SERIES	
14		1	NOTE COMMENT	part of kit K7
15		1	NOTE COMMENT	part of kit K7
16		1	NOTE COMMENT	part of kit K7
17		1	NOTE COMMENT	part of kit K8
18	140 9214 070	3	SCREW	
19	140 5059 000	1	SHAFT	
20	140 5694 000	1	POP NIT	
21	140 3894 500	1	THERMO PROTECTION KIT SCREW AND WIRE INCLUDED	
22	010 9678 500	1	OUTLET ELECTRICAL 230V 930-SERIES	
23		1	NOTE COMMENT	part of kit K3
24	140 9214 040	2	SCREW	
25	056 1014 060	1	TRIPPER	
26	140 7026 500	1	2S CIRCUIT BOARD 220-240V	
27		1	NOTE COMMENT	part of kit K2
28		1	NOTE COMMENT	part of kit K1
29		1	NOTE COMMENT	part of kit K1
30		1	NOTE COMMENT	part of kit K1
31	140 7805 000	1	Red Button GD930	
33		1	NOTE COMMENT	part of kit K10
34	140 6423 500	1	CORD EU L=15M	
35	010 9678 500	1	OUTLET ELECTRICAL 230V 930-SERIES	
36	140 7027 010	1	PT-SCREW WN 1451	
K1	107408927	1	SWITCH ON/OFF 930-SERIES	
K2	107408928	1	BOARD ANTI STATIC	
K3	140 7035 500	1	PROTECTION SLEEVE KIT SLEEVE AND ANTI STRAIN CL	
K4	140 7665 500	1	OUTLET ELECT.15A 250V	
K5	140 7012 500	1	MOTOR PLATE GD/UZ930/S2 INCL. THERMO PROTECTOR	
K6	140 5058 500	1	LOCK WASHER GD 930	
K7	140 5055 500	1	WHEEL REAR 2PC 930-SERIES INCL. DISCS	
K8	107408930	1	BOTTOM PLATE 2-POLE DISCONNECTION	
K9	107408931	1	TURBINE 220-240V	

# Lower parts before serial no. 3510124601423 (

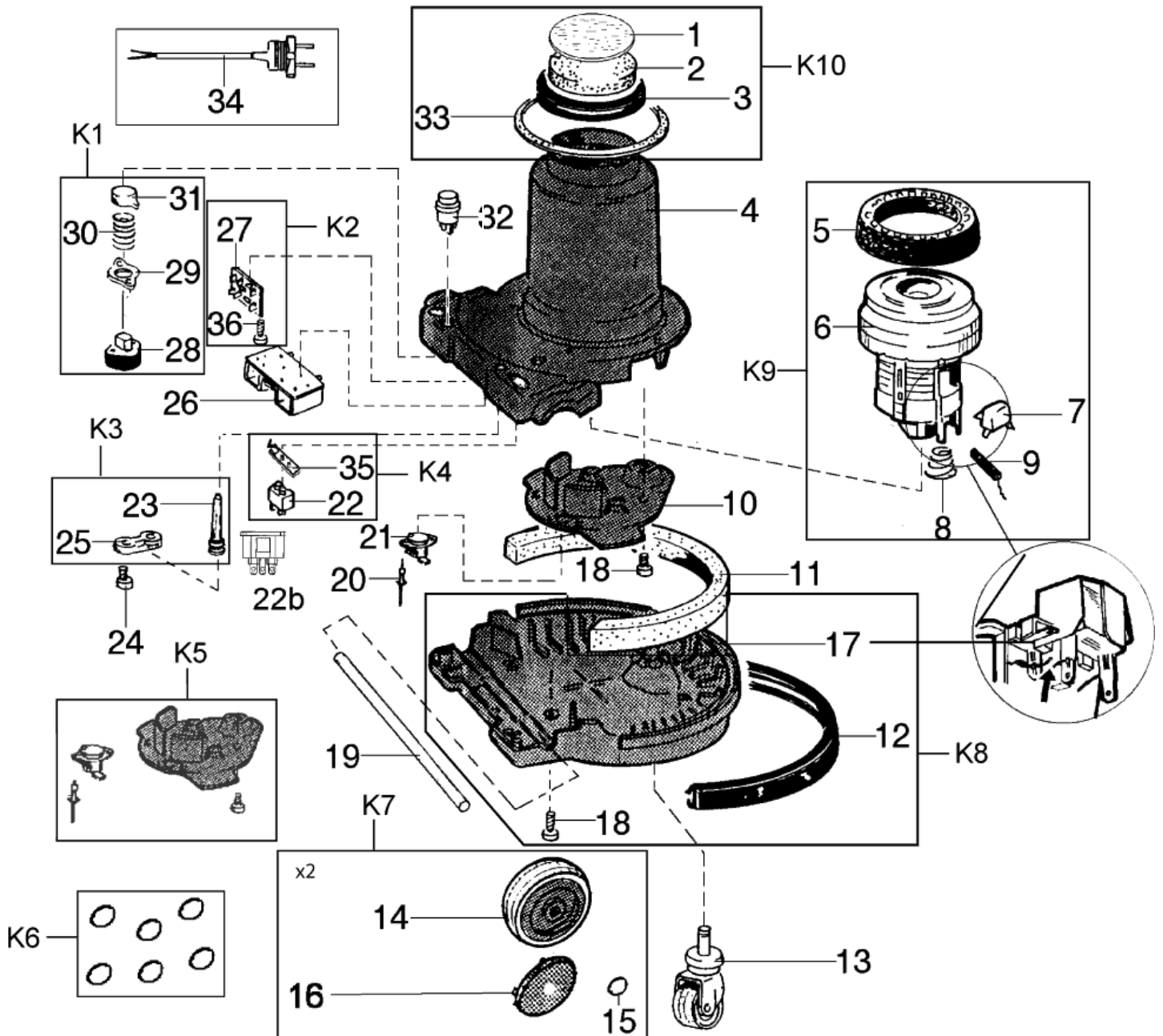
GD 930 GD 930S2

29-07-2013

Part List ID

GD93002

5



# Lower parts before serial no. 3510124601423 (1

GD 930 GD 930S2

29-07-2013

Part List ID GD93002

6

Pos	Part no.	Qty	Description	
0	140 7031 010	1	CARTON UZ 930S WHITE	NEUTRAL, FOR PANTHER
2	140 1535 510	1	FILTER UZ 930 110MM 3 PCS	
4	140 7010 080	1	STAND UL-LISTED	
4	140 7010 500	1	STAND GD 930/UZ 930S BLACK	
4	140 7010 510	1	STAND GD 930S2/UZ 930S2	
4	140 7010 530	1	STAND GD/UZ 930S BLACK	
4	140 7010 540	1	STAND GD/UZ 930S2 BLACK UL-LIS	
5	140 7901 000	1	Suspension Ring	
6		1	NOTE COMMENT	Part of K9
7	140 8166 010	1	CAPACITOR	
8	140 7016 000	1	SPRING	
9	001 8619 110	1	CARBON BRUSH	
9	140 7719 000	1	CARBON BRUSH	
9	140 7720 000	1	CARBON BRUSH F. 110-120V	
11	140 7022 500	1	MUFFLER STRIP	
13	140 7025 500	1	WHEEL FRONT 1 PC 930-SERIES	
18	140 9214 070	3	SCREW	
19	140 5059 000	1	SHAFT	
20	140 5694 000	1	POP NIT	
21	140 3894 500	1	THERMO PROTECTION KIT SCREW AND WIRE INCLUDED	
22	010 9678 500	1	OUTLET ELECTRICAL 230V 930-SERIES	
23	093 1027 010	1	CABLE PROTECTION USA	
24	140 9214 040	2	SCREW	
25	056 1014 060	1	TRIPPER	
26	140 7026 500	1	2S CIRCUIT BOARD 220-240V	
26	140 7026 500	1	2S CIRCUIT BOARD 220-240V	
26	140 7026 510	1	2S CIRCUIT BOARD 110-120V KIT	
31	140 7805 000	1	Red Button GD930	
32	140 7023 500	1	SWITCH SPEED FOR 930S2 SPEED REGULATION	
34	107401390	1	CORD SET CN 15.5M - KIT	
34	107407565	1	CORD SET ORANGE 15.5M - KIT	campain modul
34	140 3859 020	1	CORD SET	120V US/CA
34	140 6423 500	1	CORD EU L=15M	
34	140 6423 510	1	CORD EU L 10M	
34	140 6423 520	1	CORD KIT CH L 15M	Machine outphased 2010
34	140 6423 530	1	CORD UK L=15M	
34	140 6423 540	1	CORD UK L=10M	
34	140 6423 550	1	CORD US PLUG L 15M	
34	140 6423 560	1	CORD US L 10M GROUNDED	
34	140 6423 570	1	CORD JP L 15M	
34	140 6423 580	1	CORD AU L 15.5M	
35	010 9678 500	1	OUTLET ELECTRICAL 230V 930-SERIES	
K1	140 7033 500	1	SWITCH ON/OFF 930-SERIES	

# Lower parts before serial no. 3510124601423 (1

GD 930 GD 930S2

29-07-2013

Part List ID

GD93002

7

Pos	Part no.	Qty	Description	
K2	140 7024 500	1	BOARD ANTI STATIC 930-SERIES	
K3	140 7035 500	1	PROTECTION SLEEVE KIT SLEEVE AND ANTI STRAIN CL	
K3	140 7035 510	1	PROTECTION SLEEVE US KIT	
K4	140 7665 500	1	OUTLET ELECT.15A 250V	
K5	140 7012 500	1	MOTOR PLATE GD/UZ930/S2 INCL. THERMO PROTECTOR	
K5	140 7012 510	1	MOTOR PLATE GD 930/S2	
K6	140 5058 500	6	LOCK WASHER GD 930	
K7	140 5055 500	2	WHEEL REAR 2PC 930-SERIES INCL. DISCS	
K8	140 7011 500	1	BASE+BUMPER GD/UZ930S/S2 INCL. SILENCER	
K8	140 7011 510	1	BASE BUMPER GD930/UZ930/S INCL.SILENCER UL-APPR.	
K9	140 7902 500	1	FAN UNIT 230V UZ930s	
K9	140 7902 510	1	FAN UNIT 110-120V 1000W	US
K9	140 7902 520	1	FAN UNIT 240V UZ934	(UZ934)
K9	140 7902 530	1	FAN UNIT KIT DOMEL 100V	JP
22b	140 7665 500	1	OUTLET ELECT.15A 250V	US
K10	140 1535 500	1	MOTOR PROTECTION 930-SERIES FILTER+GASKET	

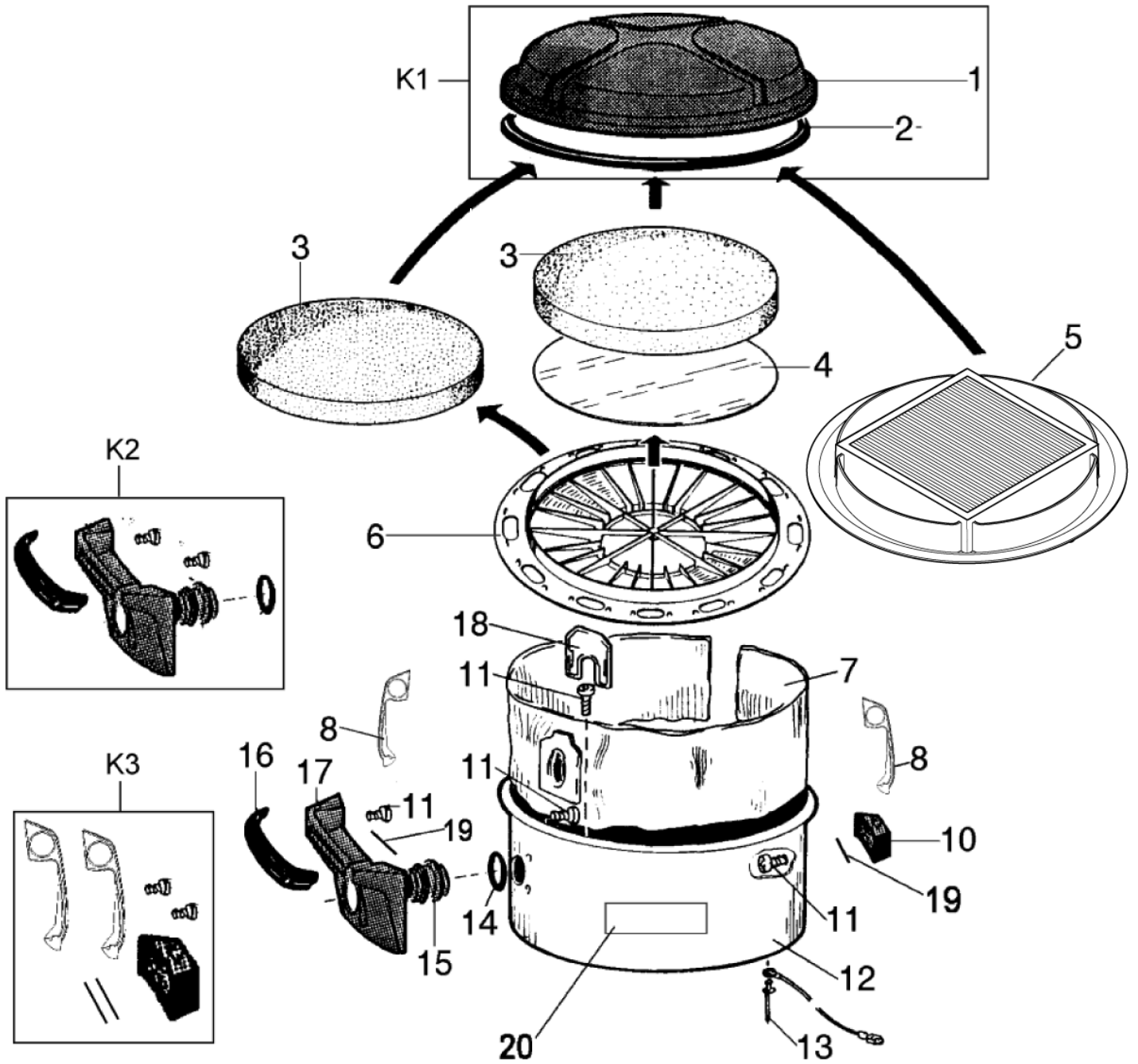
# Container and Filters

GD 930 GD 930S2

29-07-2013

Part List ID  
GD93004

8





# Container and Filters

GD 930 GD 930S2

29-07-2013

Part List ID  
GD93004

9

Pos	Part no.	Qty	Description	
1	107408923	1	LID GD930	LID BLACK
1	140 7802 080	1	LID RED	
2	140 0061 030	1	GASKET L=1130	
3	140 1515 500	1	FILTER MAIN FOAM 930-SERIES	
4	140 5661 000	1	HYGIENE DIFFUSER FILTER	
5	140 2666 010	1	HEPA-FILTER UZ 930/930S/9 30S2	
6	140 2911 000	1	FILTER HOUSE	
7	140 3260 500	1	FILTER PAPER 5-P 930-SERIES	
7	140 7015 040	1	DUST BAG 10-P GD930/930S/ 930S2	
7	140 7019 500	1	CLOTH DUST BAG 1-P 930-SERIES	
7	140 7313 020	1	HIGH FILTRATION BAG 10-P	
8		1	NOTE COMMENT	Part of K3 item 140 7832 500
11	140 9214 070	8	SCREW	
12	140 7020 510	1	CHROMED CONTAINER GD930	
13	140 5694 000	1	POP NIT	
14	740 4416 000	1	O-RING 49,5X3 N REPLACED 140 7800 500	
15	140 7013 000	1	INLET	
16		1	NOTE COMMENT	Part of K2
17		1	NOTE COMMENT	Part of K2
18	140 7014 500	1	LOCKING DUSTBAG 3 PCS GD/UZ 930/S2	
19		1	NOTE COMMENT	Part of K3
20	140 7877 000	1	DECAL/STICKER NILFISK GD	
23	140 9214 040	2	SCREW	Incl. in K2
K1	140 7801 500	1	LID W/FILTER 930-SERIES THE FILTER IS MOUNTED IN	
K1	140 7801 510	1	LID WITH HEPA FILTER 930-SERIES	
K2	140 7800 500	1	HANDLE GD 930/S2	
K3	140 7832 500	1	LATCHES GD 930/S2 2 LOCKINGS	
NI	140 6076 000	1	SIGN	Emptying - if this vacuum cleaner is...
NI	140 6754 000	1	LABEL	Warning HEPA filter must be installed...
NI	140 7784 000	1	PACKAGE CPL.	

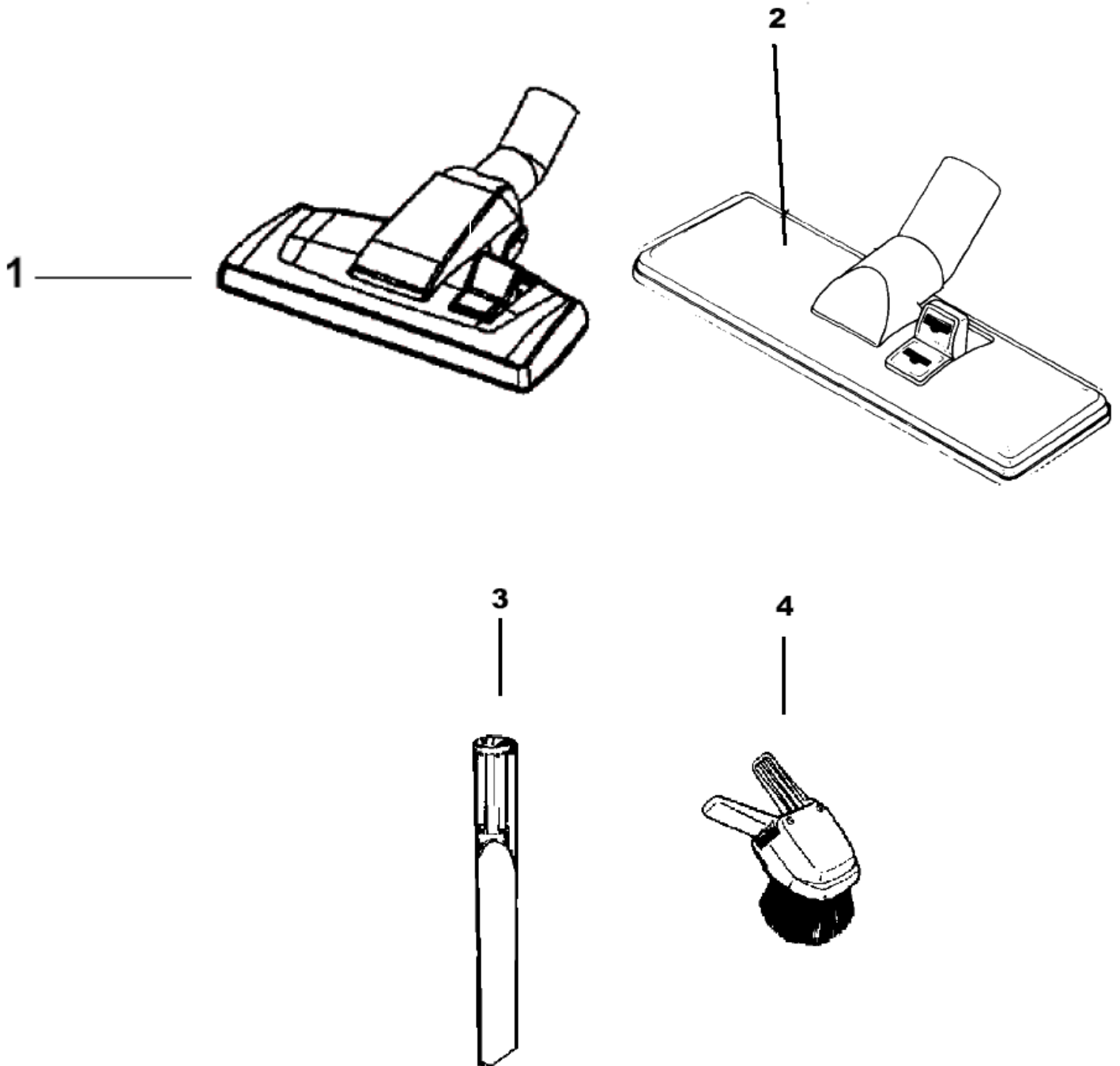
# Nozzles 32 mm

GD 930 GD 930S2

29-07-2013

Part List ID B0339

10



# Nozzles 32 mm

GD 930 GD 930S2

29-07-2013

Part List ID  
BU339

11

Pos	Part no.	Qty	Description
1	140 8492 520	1	COMBI NOZZLE
2	140 5634 500	1	COMBI NOZZLE 32 MM
3	010 3098 500	1	CREVICE NOZZLE
4	011 3104 500	1	SMALL COMBI NOZZLE ROUND BRUSH/UPHOLSTERY

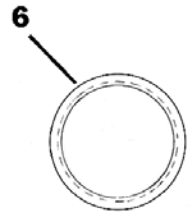
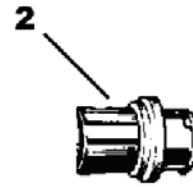
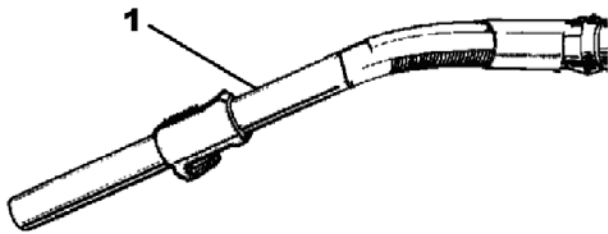
# Hose and tubes

GD 930 GD 930S2

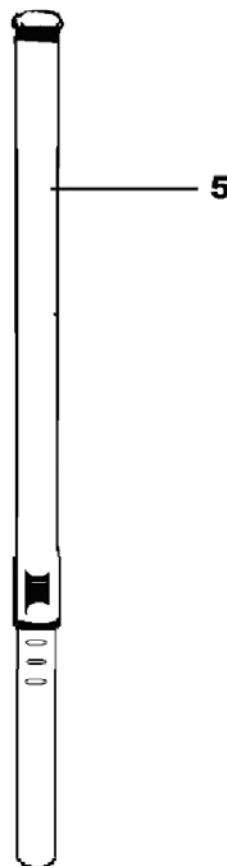
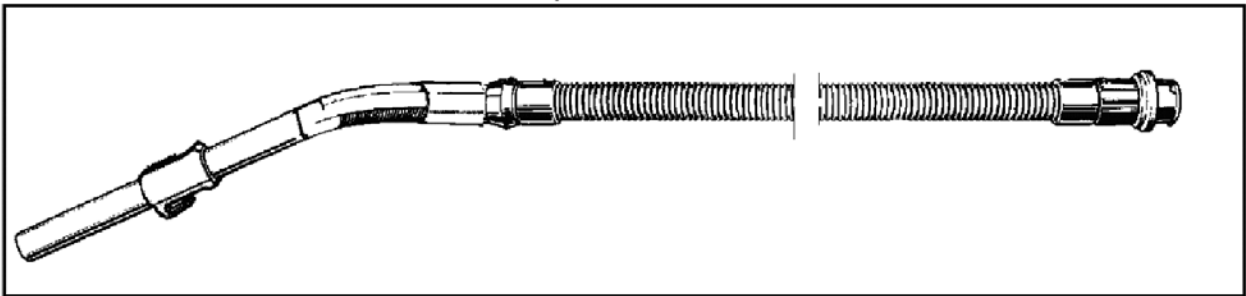
29-07-2013

Part List ID  
B03311

12



3



# Hose and tubes

GD 930 GD 930S2

29-07-2013

Part List ID

B03311

13

Pos	Part no.	Qty	Description
1	140 5116 500	1	HOSE HANDLE ALU/RUBBER DI PACKED IN A BAG
2	140 3846 500	1	CUFF W.BAYONET COUPL.D32
3	140 2782 500	1	HOSE ALU.HANDLE D32 BAYONET COUPLING
4	011 6431 500	1	TUBE 32MM X 500MM LONG
5	011 8130 500	1	TELESCOPIC TUBE 32MM
6	010 9299 540	1	GASKET

# Power brush UZ 984 line drawing

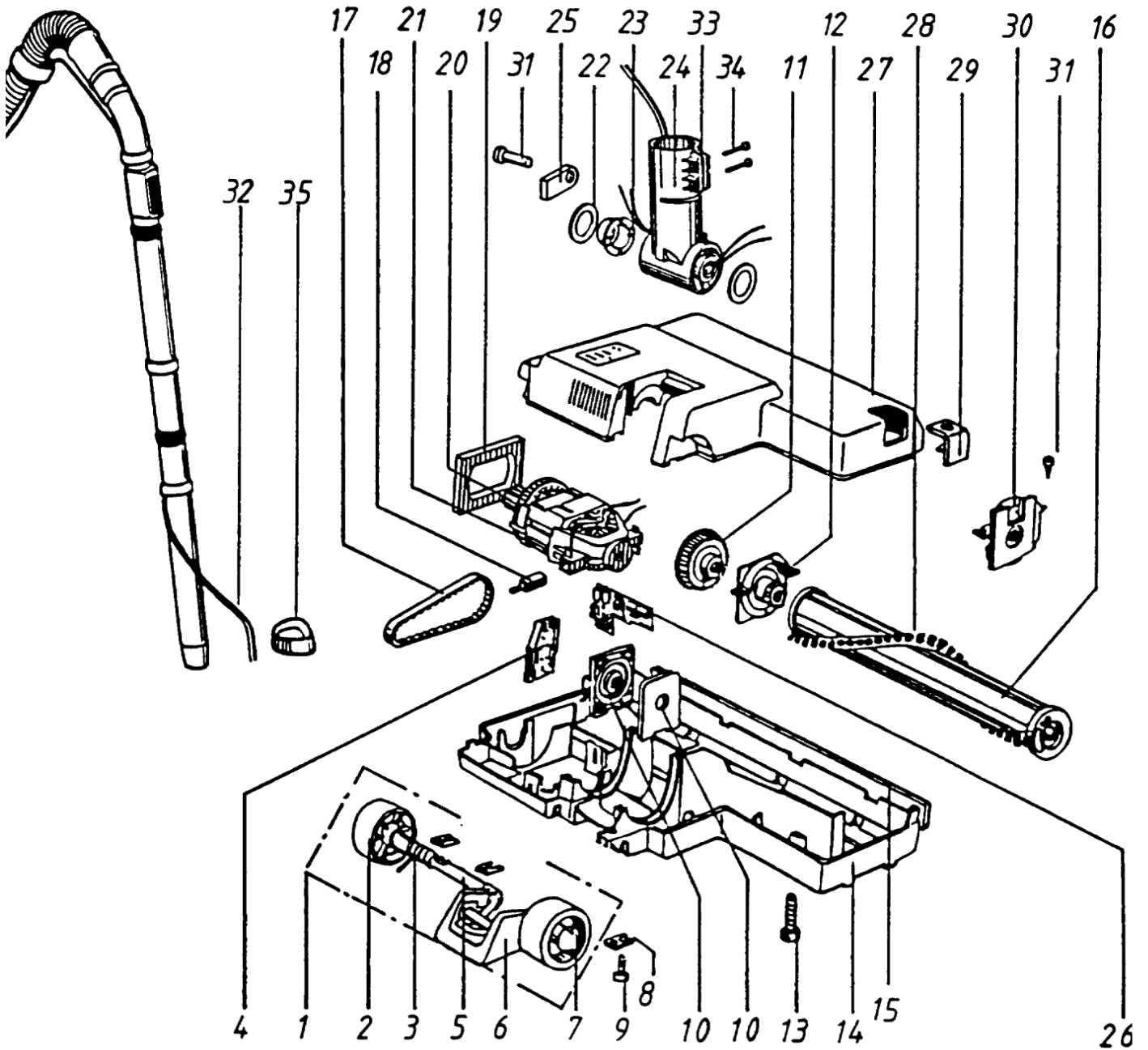
GD 930 GD 930S2

29-07-2013

Part List ID

B03133

14



# Power brush UZ 984 line drawing

GD 930 GD 930S2

29-07-2013

Part List ID BU3133

15

Pos	Part no.	Qty	Description	
0	909 1220 010	1	UZ 984 POWER NOZZLE 220V	
0	909 1221 010	1	UZ 984 POWER NOZZLE 240V	
1	093 1751 000	1	SHAFT	
2	093 1750 000	2	WHEEL	Machine outphased 1998
3	093 1752 000	1	TENSION SPRING	Machine outphased 1998
4	142 0882 000	1	BEARING PLATE	
5	093 1754 000	1	SHAFT	
6	093 1755 000	1	PEDAL	
7	093 1757 000	2	LOCK WASHER	Machine outphased 1998
8	093 1759 000	3	WASHER	Machine outphased 1998
9	093 1760 000	5	SCREW RXS 3.9 13 Z.PL..	Machine outphased 1998
10	142 0883 000	2	BEARING CPL.	
11	142 0559 000	1	BRUSH ROLLER, PULLEY	
12	093 1763 000	1	BEARING	Machine outphased 1998
13	093 1764 000	4	SCREW MRX M5X25	
14	093 1765 000	1	CAP	
15	142 0885 000	1	BUMPER	
16	093 1769 000	1	BRUSH UNIT	Unit incl strip
17	093 1781 000	1	BELT 2025	Machine outphased 1998
18	093 1783 000	2	CARBON BRUSH	
19	093 1782 000	1	INJECTOR	Machine outphased 1998
20	093 1780 000	1	GEAR	Machine outphased 1998
21	093 1779 000	1	MOTOR	Machine outphased 1998
21	093 1805 000	1	MOTOR 240V	
21	093 1806 000	1	BRUSH MOTOR 115V	
22	142 0886 000	2	WASHER	
23	142 0887 000	2	CONDUCTOR BEARING	
24	142 0888 000	1	CONNECTION TUBE	
25	142 0889 000	1	ANTI STRAIN CLIP	
26	142 0890 000	1	EL. CONTROL BOARD 220V	
26	142 0891 000	1	EL. CONTROL BOARD 240V	
26	142 0892 000	1	EL.CONTROL BOARD 110V	
27	142 0893 000	1	TOP	
28	093 1770 000	1	BRUSH 2045	Only the strip is supplied
29	093 1768 000	1	SUPPORT	
30	093 1767 000	1	BEARING FOR BRUSH	Machine outphased 1998
31	093 1756 000	7	SCREW RXS 3.9 16 Z.PL.	Machine outphased 1998
32	142 0894 000	1	CORD SET	
33	093 1786 000	2	SQUARE NUT M4	
34	18274	2	COUNTERSUNK SCREW	
35	011 3634 000	1	HOSE CLIP	

# RECOMMENDED SPARE PARTS

GD 930 GD 930S2

29-07-2013

Part List ID

B03135

16

No Drawing For Part List



# RECOMMENDED SPARE PARTS

GD 930 GD 930S2

29-07-2013

Part List ID

BU3135

17

Pos	Part no.	Qty	Description
1	010 9299 540	1	GASKET
1	010 9678 500	1	OUTLET ELECTRICAL 230V 930-SERIES
1	107401390	1	CORD SET CN 15.5M - KIT CN ONLY
1	140 1515 500	1	FILTER MAIN FOAM 930-SERIES
1	140 1535 500	1	MOTOR PROTECTION 930-SERIES FILTER+GASKET
1	140 2782 500	1	HOSE ALU.HANDLE D32 BAYONET COUPLING
1	140 5055 500	1	WHEEL REAR 2PC 930-SERIES INCL. DISCS
1	140 6423 500	1	CORD EU L=15M
1	140 6423 510	1	CORD EU L 10M
1	140 6423 520	1	CORD KIT CH L 15M Machine outphased 2010
1	140 6423 530	1	CORD UK L=15M
1	140 6423 540	1	CORD UK L=10M
1	140 6423 550	1	CORD US PLUG L 15M
1	140 6423 560	1	CORD US L 10M GROUNDED
1	140 6423 570	1	CORD JP L 15M
1	140 6423 580	1	CORD AU L 15.5M
1	140 7012 500	1	MOTOR PLATE GD/UZ930/S2 INCL. THERMO PROTECTOR
1	140 7012 510	1	MOTOR PLATE GD 930/S2
1	140 7014 500	1	LOCKING DUSTBAG 3 PCS GD/UZ 930/S2
1	140 7019 500	1	CLOTH DUST BAG 1-P 930-SERIES
1	140 7023 500	1	SWITCH SPEED FOR 930S2 SPEED REGULATION
1	140 7024 500	1	BOARD ANTI STATIC 930-SERIES
1	140 7025 500	1	WHEEL FRONT 1 PC 930-SERIES
1	140 7026 500	1	2S CIRCUIT BOARD 220-240V
1	140 7026 510	1	2S CIRCUIT BOARD 110-120V KIT
1	140 7033 500	1	SWITCH ON/OFF 930-SERIES
1	140 7665 500	1	OUTLET ELECT.15A 250V
1	140 7800 500	1	HANDLE GD 930/S2
1	140 7801 500	1	LID W/FILTER 930-SERIES THE FILTER IS MOUNTED IN
1	140 7801 510	1	LID WITH HEPA FILTER 930-SERIES
1	140 7832 500	1	LATCHES GD 930/S2 2 LOCKINGS
1	140 7902 500	1	FAN UNIT 230V UZ930s
1	140 7902 510	1	FAN UNIT 110-120V 1000W
1	140 7902 520	1	FAN UNIT 240V UZ934
1	140 7902 530	1	FAN UNIT KIT DOMEL 100V

# Wiring

GD 930 GD 930S2

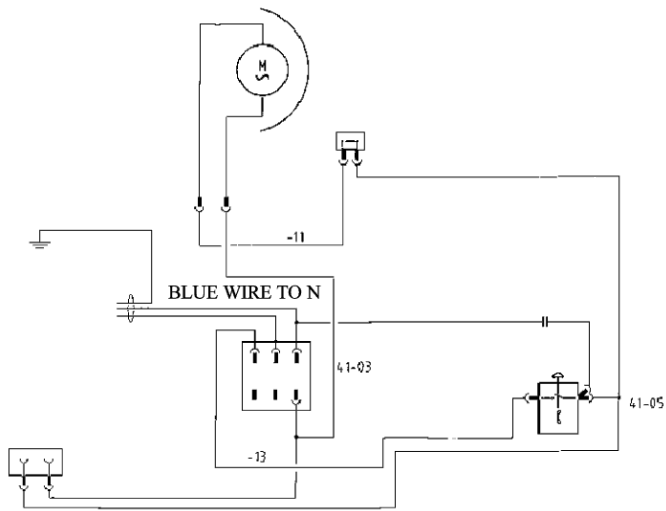
29-07-2013

Part List ID  
GD93006

18

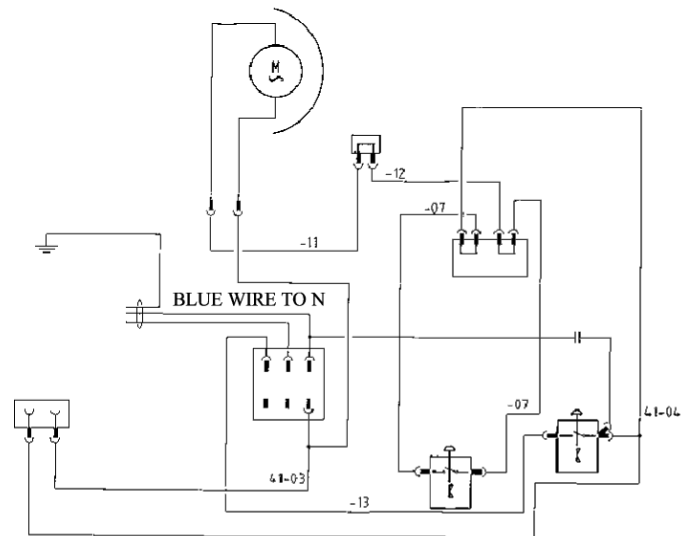
## GD 930 GROUNDED VERSION

FOR THE NEW DOMEL  
FAN UNITS



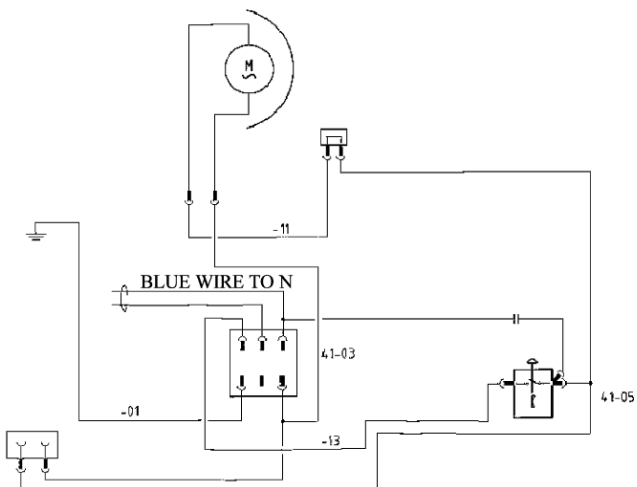
## GD 930S2 GROUNDED

FOR THE NEW DOMEL  
FAN UNITS



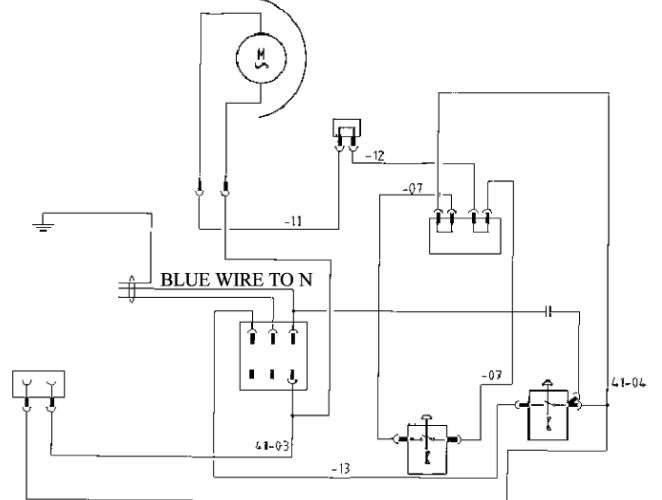
## GD 930 DOUBLE INSULATED

FOR THE NEW DOMEL  
FAN UNITS



## GD 930S2 DOUBLE INSULATED

FOR THE NEW DOMEL  
FAN UNITS



# Wiring

GD 930 GD 930S2

29-07-2013

Part List ID  
GD93006

19