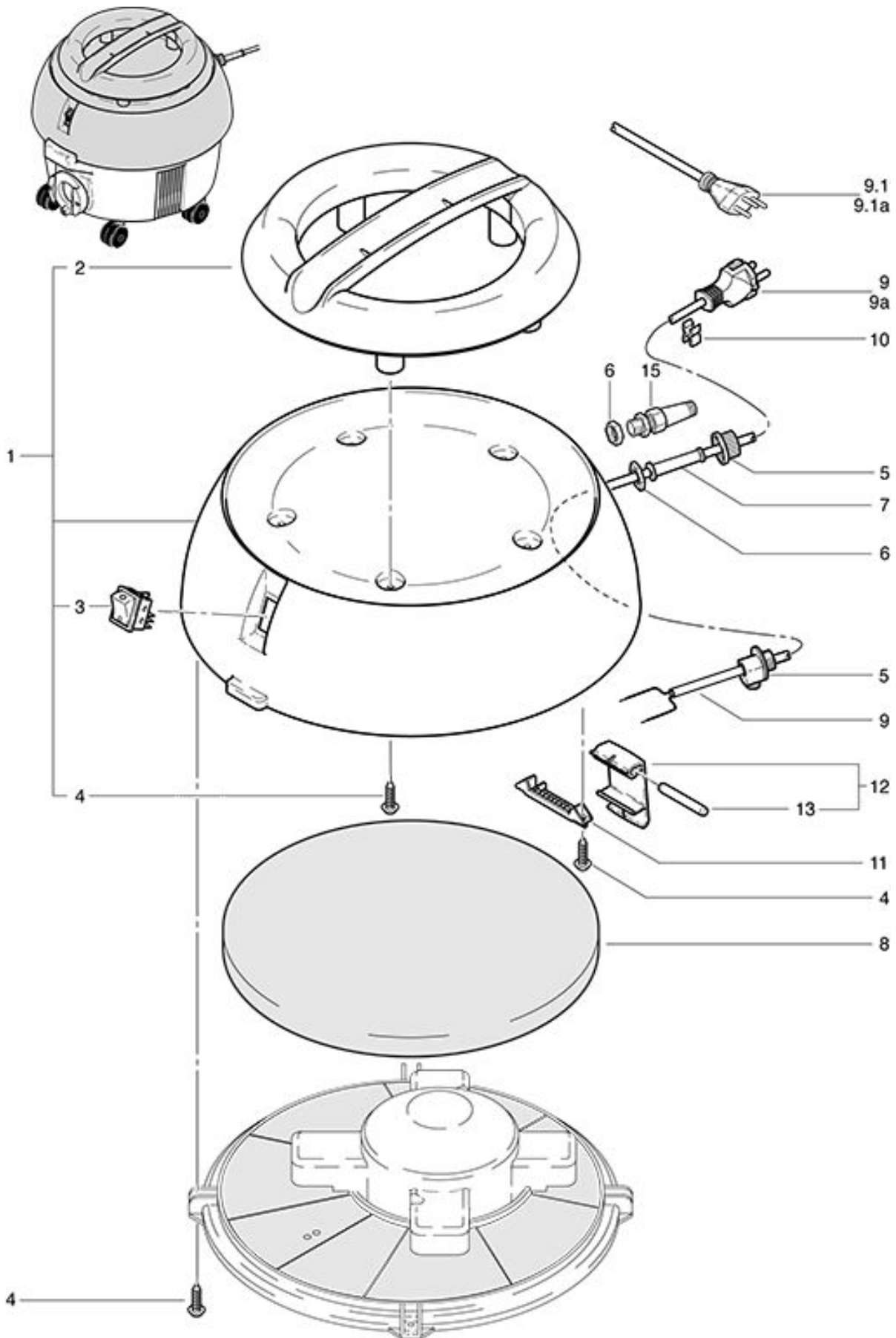


S 10
Cover

As at: 11/21/11 Time:08:46



S 10

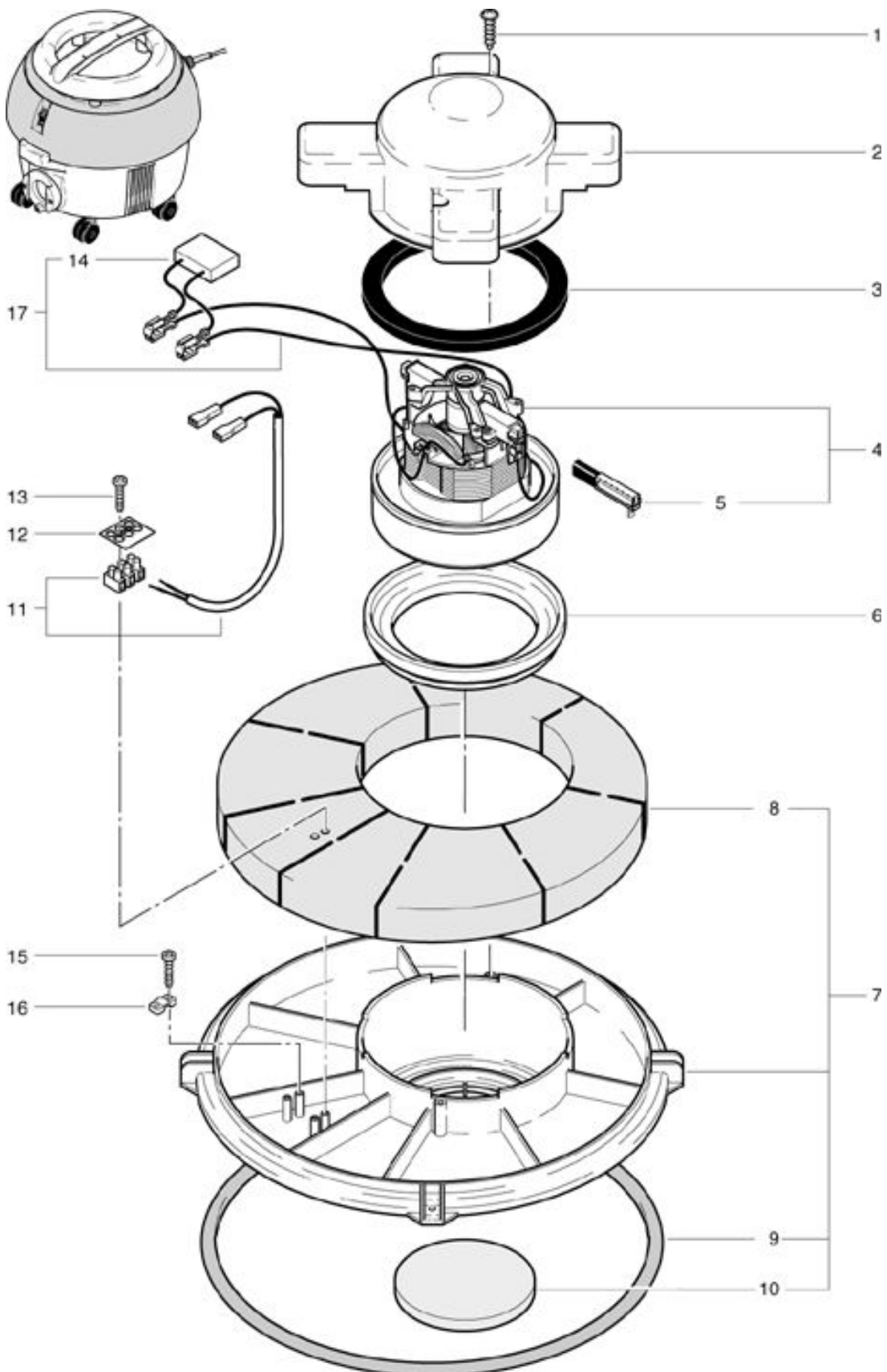
Cover

As at: 11/21/11 Time:08:46

| Pos. | Description | Reference |
|-------------|---|------------------|
| 01 | Dome complete, including Items 2-4 | 022.110 |
| 02 | Handle | 022.112 |
| 03 | Tumbler switch LED | P...240 F |
| 04 | PT screw KA 40x16 | P...516 G |
| 05 | Cable clamp up to machine no. 8453 | P...279 |
| 06 | Counter nut PG 9 | P...279 H |
| 07 | Cable protection up to machine no. 8453 | P...280 |
| 08 | Sound absorbing sheet | 022.116 |
| 09 | Electrical connection VDE 7,5 m | P...288 |
| 09.1 | Electrical connection VDE 10 m | P...288 A |
| 09.1a | Electrical connection 10 m | P...287 A |
| 09a | Electrical connection SEV 7,5 m | P...287 |
| 10 | Cable clamp | P...278 |
| 11 | Pin hold | 022.114 |
| 12 | Seal lever compl. | 022.122 |
| 13 | Pin | 022.115 |
| 15 | Cable clamp beg. Mach.Nr. 8501 001 | P...279 K |

S 10 Motor

As at: 11/21/11 Time:08:47



S 10

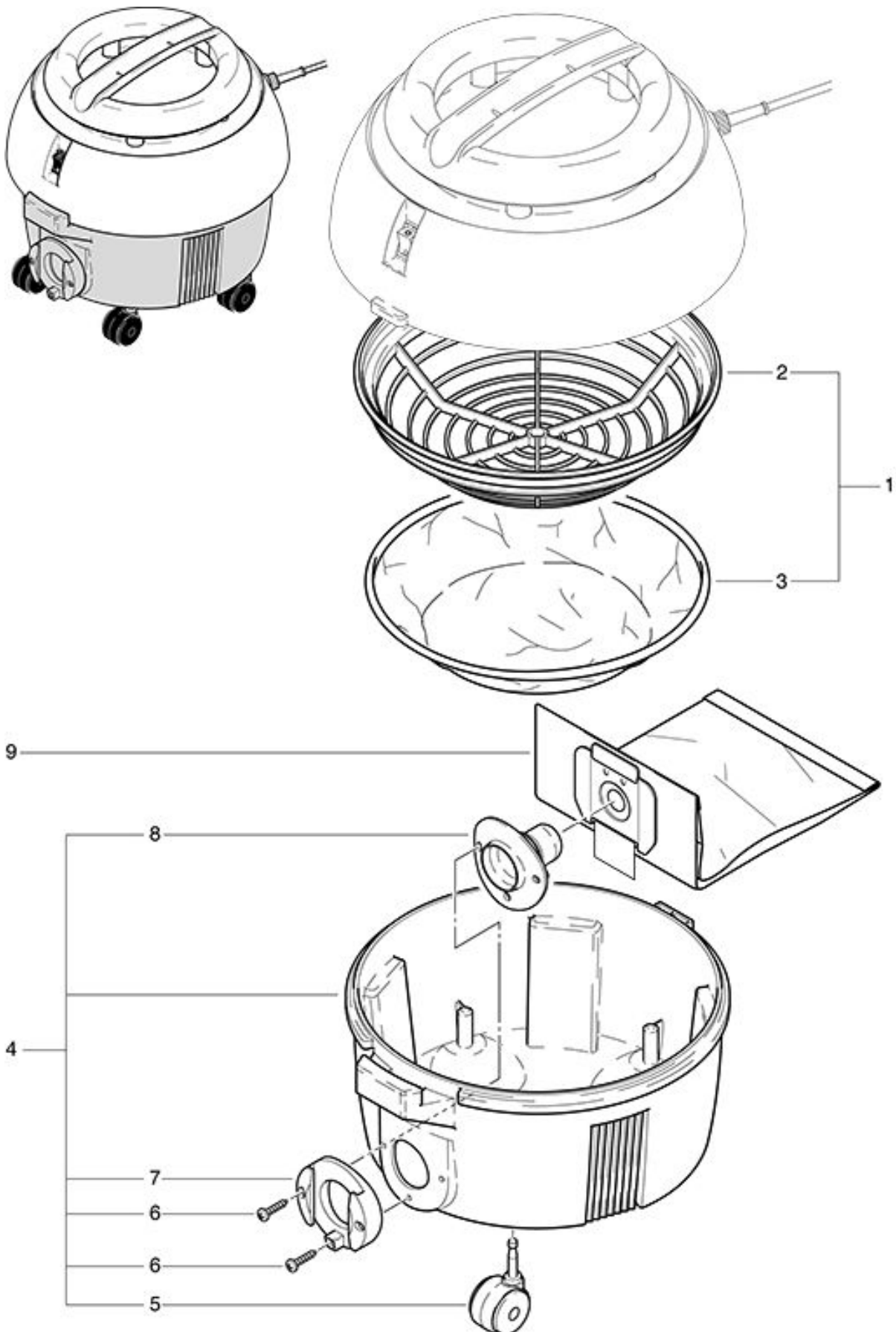
Motor

As at: 11/21/11 Time:08:47

| Pos. | Description | Reference |
|-------------|--|------------------|
| 01 | PT screw KA 40x16 mm | P...516 C |
| 02 | Lower motor | 022.132 |
| 03 | Seal for motor up to machine no.8249 | 022.133 |
| 03 | Seal for motor as from machine no. 8250 | 012.133 |
| 04 | Vacuum motor as from machine no. 8250 | P...872 |
| 04 | Vacuum motor up to machine no. 8249 | P...870 K |
| 05 | Pair of carbon brushes OEP up to machine no.8249 | P...870 KB |
| 05 | Carbon brush up to machine no.8250 | P...872 A |
| 06 | Profile up to machine no. 8249 | P...971 H |
| 06 | Profile as from machine no. 8250 | P...971 J |
| 07 | Motorplate compl. | 022.130 |
| 08 | Noise absorber | 022.135 |
| 09 | Bucket gasket | 022.136 |
| 10 | Engine air cleaner | 022.134 |
| 11 | Cable tree | 022.139 |
| 12 | Marking plate | P...390 |
| 13 | PT screw KA 50x14 mm | P...516 E |
| 14 | Capacitor 0.15 uF | P...393 E |
| 15 | PT screw KA 50x18 | P...516 Q |
| 16 | Cable clamp | 4611085 |
| 17 | Motor cable compl. up to machine no. 8249 | 022.143 |
| 17 | Cable tree with capacitor as from machine no. 8250 | 012.143 |

S 10 Tank

As at: 11/21/11 Time:08:47



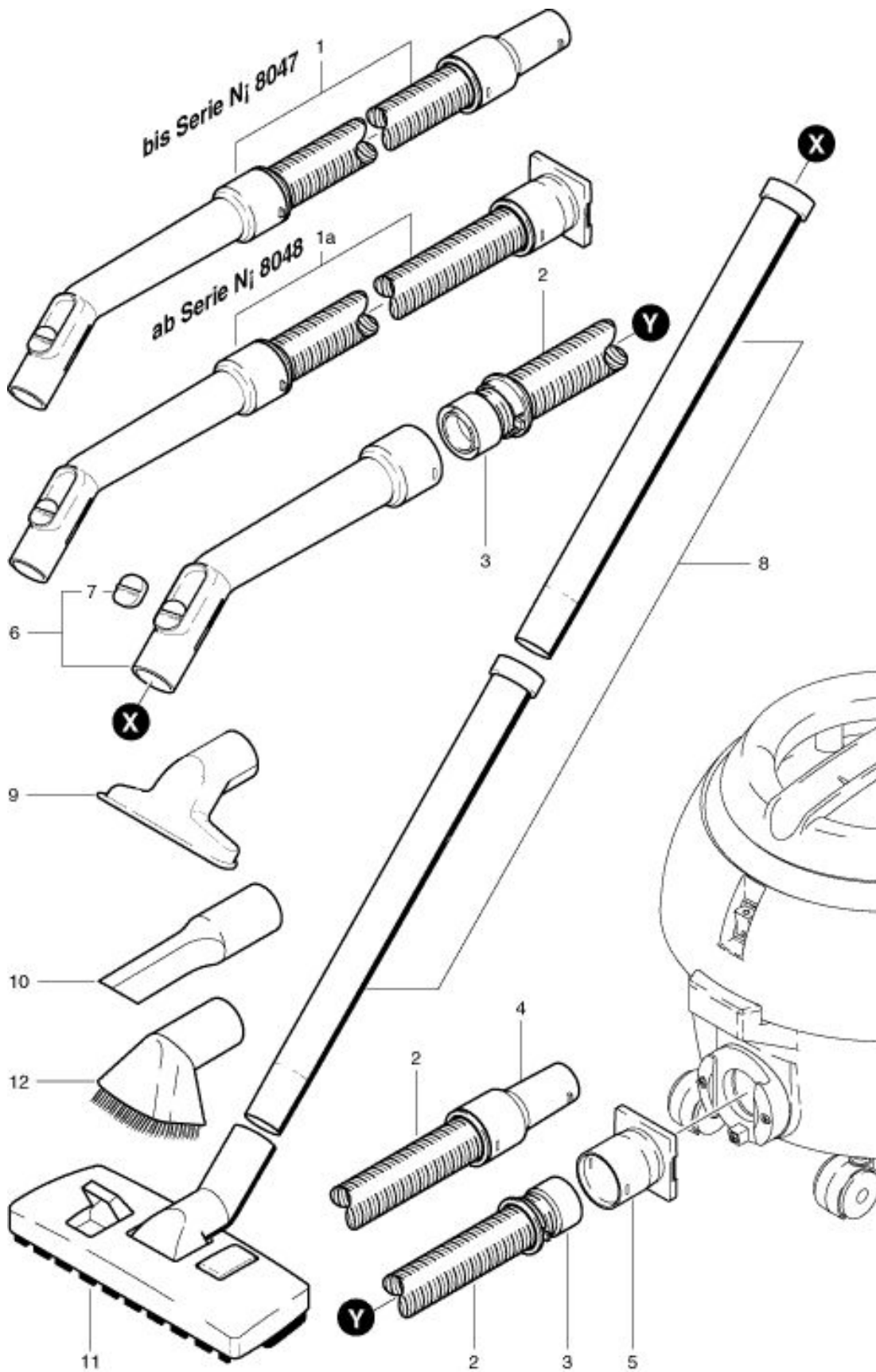
S 10 Tank

As at: 11/21/11 Time:08:47

| Pos. | Description | Reference |
|-------------|--|------------------|
| 01 | Filter cartridge compl., including items 2+3 | 022.300 |
| 02 | Filter cartridge | 022.310 A |
| 03 | Filtercloth | 022.320 |
| 04 | Tank compl.,including items 5-8 | 012.200 |
| 05 | Swivel castor wheel Ø 50 mm | P...204 F |
| 06 | PT screw KA 30x10 | P...515 E |
| 07 | Tank connection | 4012234 |
| 08 | Saffle | 4012393 |
| 10 | Packet of 5 dustbags | 022.430 |

S 10
Vaccuming tools

As at: 11/21/11 Time:08:47



S 10

Vaccuming tools

As at: 11/21/11 Time:08:47

| Pos. | Description | Reference |
|-------------|---|------------------|
| 01 | Suction hose complete, including items 2-4,6+7 up to Serie No. 8047 | 900.567 |
| 01a | Suction hose complete, including items 2,3+5-7 off Serie-No. 8048 | 012.567 |
| 02 | Suction hose 2.2 m | 900.569 |
| 03 | Security ring | P...583 |
| 04 | Hose end connector off Serie-No. 8047 | P...577 |
| 05 | Hose end connector off Serie-No. 8048 | 012.570 |
| 06 | Toolhandle compl. | 900.670 |
| 07 | Slide | P...581B |
| 08 | Stainless steal tube | 645.002 |
| 09 | Upholstery tool | 645.004 |
| 10 | Crevice tool | 645.006 |
| 11 | Carpet hardfloor tool | 645.103 |
| 12 | Dropery brush (Optional accessory) | 645.005 |