

# C120.6

---

Model:

C 120.6-6 PAD X-TRA  
C 120.6-6 PC X-TRA  
C 120.6-6 PCA X-TRA  
C 120.6-6 PCAD X-TRA  
C 120.6-6 PCD X-TRA  
C 120.6-6 X-TRA



Part List US-English

13-02-2015

# Nilfisk

[www.nilfisk.com](http://www.nilfisk.com)

# Table of Contents

C120.6

|                                |          |
|--------------------------------|----------|
| <b>Overview</b>                | <b>3</b> |
| <b>Motor pump unit</b>         | <b>5</b> |
| <b>Default accessories</b>     | <b>7</b> |
| <b>Recommended spare parts</b> | <b>9</b> |

# Overview

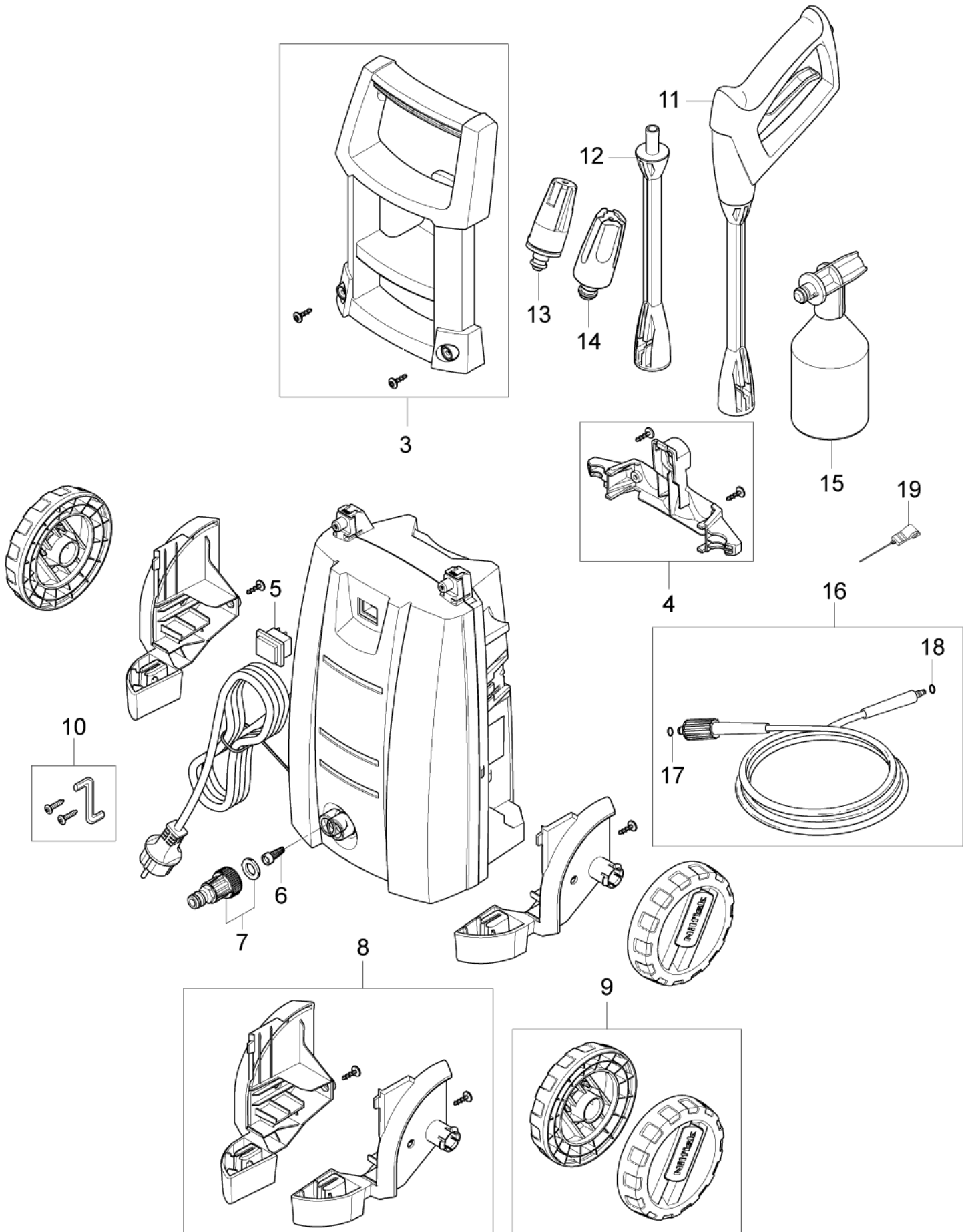
C120.6

13-02-2015

Part List ID

C120602

3



# Overview

C120.6

13-02-2015

Part List ID C120602

4

| Pos | Part no.  | Qty | Description                             |
|-----|-----------|-----|---|
| 3   | 31000524  | 1   | HANDLE LARGE INCL 2 SCREWS              |
| 4   | 31000523  | 1   | ACCESSORY BRIDGE KIT                    |
| 5   | 126486831 | 1   | SWITCH CPL.                             |
| 6   | 6481094   | 1   | STRAINER                                |
| 7   | 1402809   | 1   | QUICK COUPLING MALE W. INTERNAL THREAD  |
| 8   | 31000522  | 1   | WHEEL BRACKET KIT                       |
| 9   | 31000521  | 1   | WHEEL KIT 2 PCS                         |
| 10  | 128500322 | 1   | SCREW AND ALLEN KEY FOR HANDLE          |
| 11  | 128500070 | 1   | G2 SPRAY HANDLE                         |
| 12  | 128500073 | 1   | G2 C C SPRAY LANCE                      |
| 13  | 128500298 | 1   | C C POWERSPEED                          |
| 14  | 126481116 | 1   | PR TORNADO YELLOW AUS                   |
| 14  | 126481120 | 1   | PR TORNADO DARK BLUE                    |
| 15  | 128500077 | 1   | C C FOAMSPRAYER WITH BOTTLE             |
| 16  | 126481138 | 1   | HOSE 6M                                 |
| 17  | 3001211   | 1   | O-RING 9.6X2.4 NITRIL 70SH              |
| 17  | 6411218   | 1   | BAG WITH 10 O-RINGS 3001211             |
| 18  | 3004304   | 1   | O-RING 5.1X1.6 VITON SH 90              |
| 19  | 6520844   | 1   | CLEANING TOOL BLACK                     |
| NS  | 128500345 | 1   | 4C BOX FOR C 120.6-6 X-TRA 10PCS        |
| NS  | 128500346 | 1   | 4C BOX FOR C 120.6-6 PAD X-TRA 10PCS    |
| NS  | 128500349 | 1   | 4C PC TOP BOX FOR C 110.4/120.6 10PCS   |
| NS  | 128500350 | 1   | 4C PCA TOP BOX FOR C 110.4/120.6 10PCS  |
| NS  | 128500351 | 1   | 4C PCD TOP BOX FOR C 110.4/120.6 10PCS  |
| NS  | 128500352 | 1   | 4C PCAD TOP BOX FOR C 110.4/120.6 10PCS |

NS = Not Show n

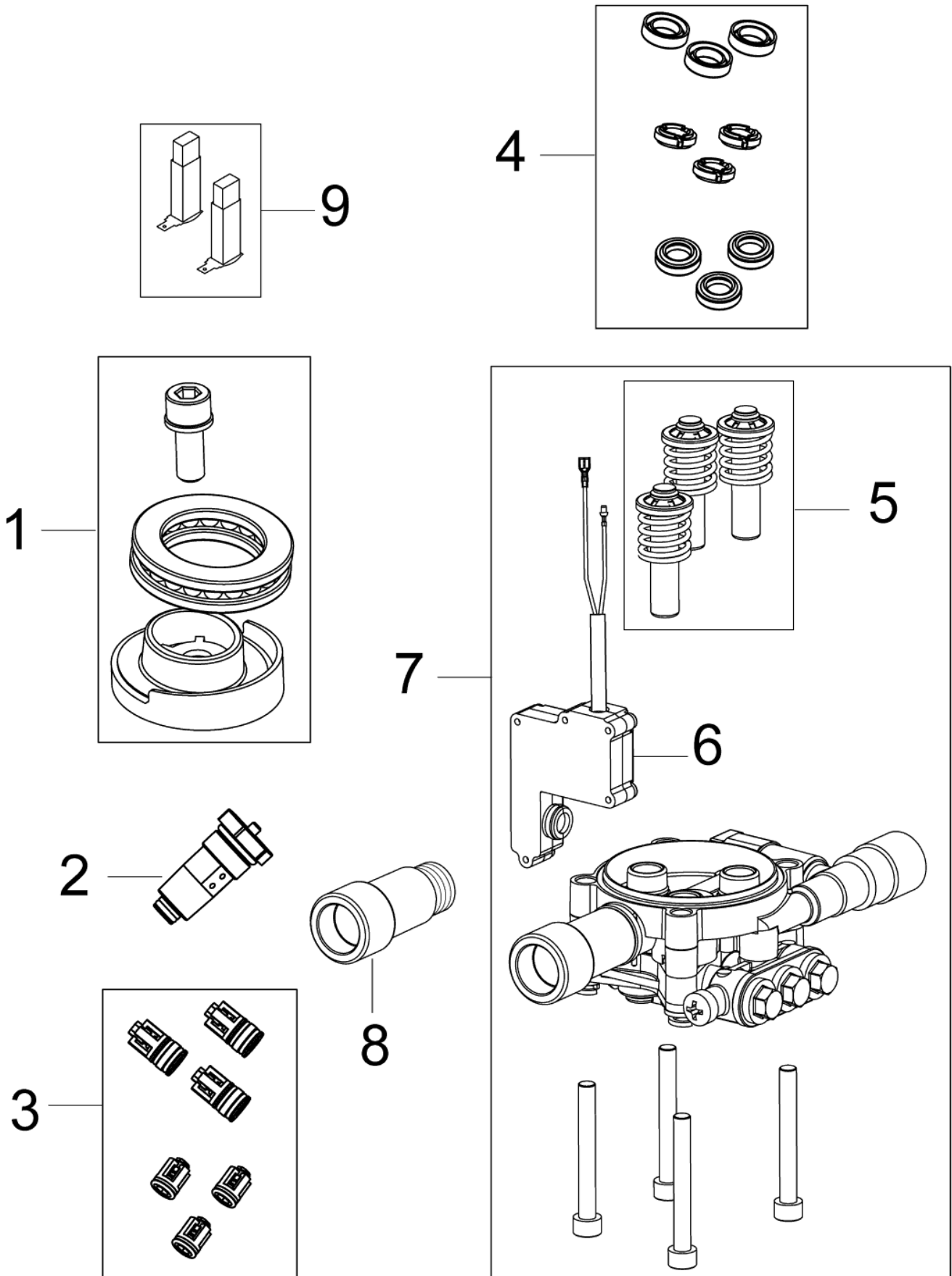
# Motor pump unit

C120.6

13-02-2015

Part List ID C120604

5



# Motor pump unit

C120.6

13-02-2015

Part List ID

C120604

6

| Pos | Part no. | Qty | Description                          |                         |
|-----|----------|-----|--------------------------------------|-------------------------|
| 0   | 5301425  | 1   | PUMP OIL 46 1X1 L                    |                         |
| 1   | 31000519 | 1   | WOBBLE DISC KIT                      |                         |
| 2   | 31000515 | 1   | START STOP SYSTEM                    |                         |
| 3   | 31000518 | 1   | VALVE KIT                            |                         |
| 4   | 31000516 | 1   | SEALING KIT                          |                         |
| 5   | 31000517 | 1   | PUMP PISTON KIT                      |                         |
| 6   | 31000514 | 1   | MICRO SWITCH                         |                         |
| 7   | 31000520 | 1   | PUMP KIT                             |                         |
| 8   | 31000791 | 1   | WATER INLET PLASTIC                  |                         |
| 9   | 31000832 | 1   | CARBON BRUSH KIT 2 PCS HEIGHT 9.9MM  | C100.6, C105.6 & C110.4 |
| 9   | 31000833 | 1   | CARBON BRUSH KIT 2 PCS HEIGHT 11.4MM | C120.6                  |

# Default accessories

C120.6

13-02-2015

Part List ID  
C120606

7

No Drawing For Part List

# Default accessories

C120.6

13-02-2015

Part List ID

C120606

8

| Pos | Part no.  | Qty | Description                 |
|-----|-----------|-----|-----------------------------|
| 0   | 126411158 | 1   | COMPACT PATIO ACC           |
| 0   | 126411376 | 1   | PATIO CLEANER PLUS ACC      |
| 0   | 126411395 | 1   | ROTARY BRUSH                |
| 0   | 126411795 | 1   | LONG FIXED BRUSH            |
| 0   | 6410766   | 1   | DRAIN AND TUBE CLEANER ALTO |



# Recommended spare parts

C120.6

13-02-2015

Part List ID

C120608

9

No Drawing For Part List

# Recommended spare parts

C120.6

13-02-2015

Part List ID  
C120608

10

| Pos | Part no.  | Qty | Description                            |
|-----|-----------|-----|--|
|     | 126481138 | 1   | HOSE 6M                                |
|     | 126486831 | 1   | SWITCH CPL.                            |
|     | 128500070 | 1   | G2 SPRAY HANDLE                        |
|     | 128500073 | 1   | G2 C C SPRAY LANCE                     |
|     | 128500077 | 1   | C C FOAMSPRAYER WITH BOTTLE            |
|     | 128500298 | 1   | C C POWERSPEED                         |
|     | 1402809   | 1   | QUICK COUPLING MALE W. INTERNAL THREAD |
|     | 3001211   | 1   | O-RING 9.6X2.4 NITRIL 70SH             |
|     | 3004304   | 1   | O-RING 5.1X1.6 VITON SH 90             |
|     | 31000514  | 1   | MICRO SWITCH                           |
|     | 31000515  | 1   | START STOP SYSTEM                      |
|     | 31000516  | 1   | SEALING KIT                            |
|     | 31000517  | 1   | PUMP PISTON KIT                        |
|     | 31000518  | 1   | VALVE KIT                              |
|     | 31000519  | 1   | WOBBLE DISC KIT                        |
|     | 31000520  | 1   | PUMP KIT                               |
|     | 31000521  | 1   | WHEEL KIT 2 PCS                        |
|     | 31000522  | 1   | WHEEL BRACKET KIT                      |
|     | 31000523  | 1   | ACCESSORY BRIDGE KIT                   |
|     | 31000524  | 1   | HANDLE LARGE INCL 2 SCREWS             |
|     | 6411218   | 1   | BAG WITH 10 O-RINGS 3001211            |
|     | 6481094   | 1   | STRAINER                               |
|     | 6520844   | 1   | CLEANING TOOL BLACK                    |