

Preisabfragen und Bestellungen der Artikel im Shop unter

www.wapalto-shop.de

(einfach Artikelnummer in die Suchmaske eingeben)

oder per Fax unter 0049 (0)7351 – 575801

Heine Vertriebs-GmbH WAP-ALTO Reinigungssysteme
Mettenbergerstr. 4
D-88400 Biberach/Riss

Sitz: D-88400 Mettenberg, Mettenbergerstr. 4
Amtsgericht Biberach/Riß HRB 641174 Landgericht Ravensburg,
Geschäftsführer: Jürgen Heine Dipl.-Ing (FH)
Steuernummer: 54 003 31698 FA Biberach

ATTIX 50 PC, XC, EC, Clean Room

Model:
ATTIX 50-01 PC
ATTIX 50-21 XC
ATTIX 50-21-PC



Stückliste Deutsch

07-12-2009

Inhalt

ATTIX 50 PC, XC, EC, Clean Room

Cabinet Push Clean & Basic & XC	3
Cabinet EC and Clean Room	6
Filtersystem Push Clean & Basic	8
Filtersystem XC FROM 2009	10
Filtersystem XC	12
Motor Basic and Push Clean	14
Motor XC	16
Motor EC and Clean Room	18
Container ATTIX 50	20
Container upgrate kit, ATTIX 50	22
Zubehör/ Sonstiges	24

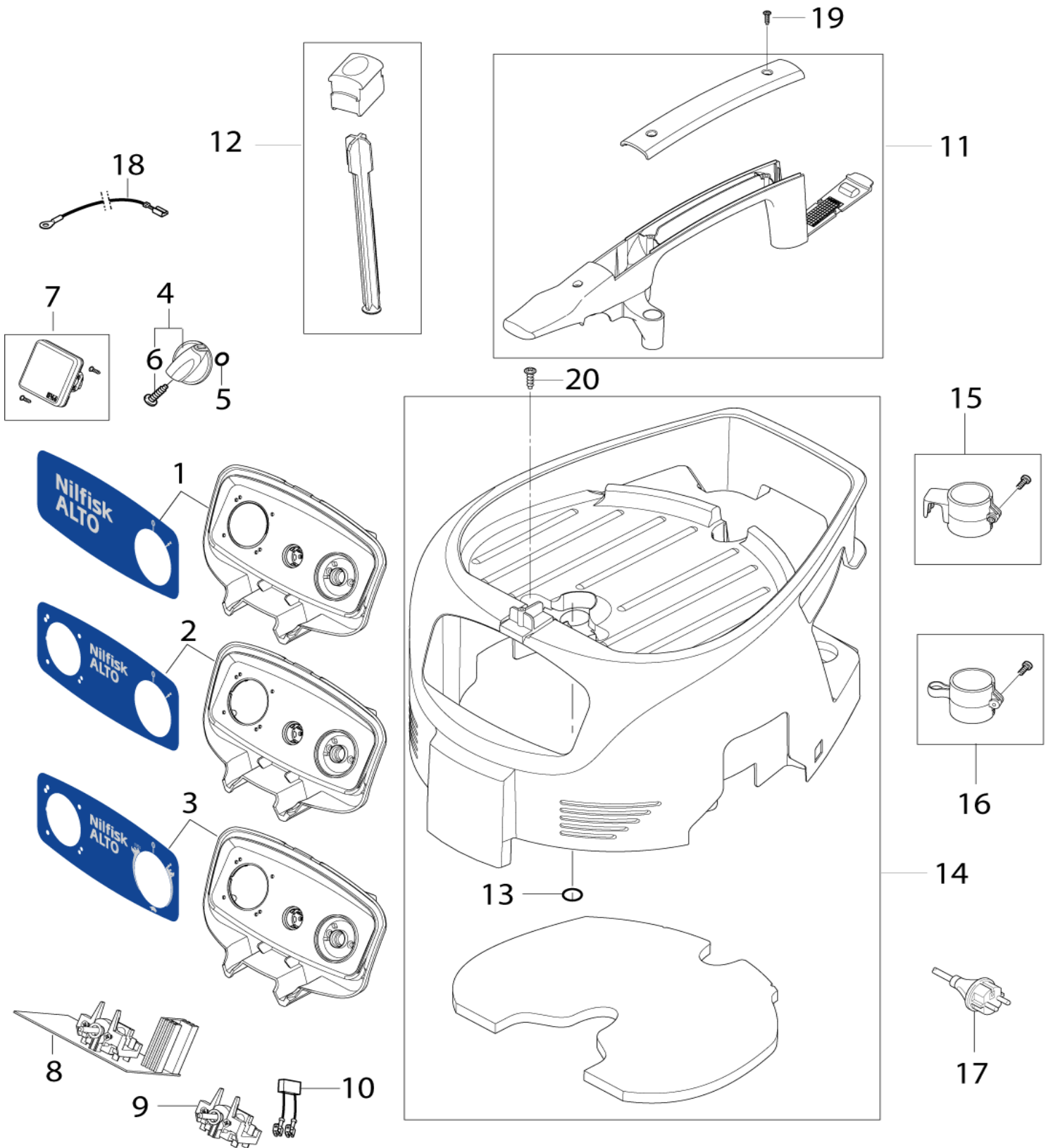
Cabinet Push Clean & Basic & XC

ATTIX 50 PC, XC, EC, Clean Room

07-12-2009

ET-Liste-Nr. ATTIX3002

3



Cabinet Push Clean & Basic & XC

ATTIX 50 PC, XC, EC, Clean Room

07-12-2009

ET-Liste-Nr.
ATTIX3002

4

Pos	Artikelnr.	Me	Beschreibung		EAN
0	302003503	1	BOX KIT ATTIX 40	ONLY FOR ATTIX 3	4005337140
1	302004047	1	SCHALTKASTEN NILFISK-ALTO 01PC		4005337148
2	302004048	1	SCHALTKASTEN NILFISK-ALTO 11PC		4005337148
3	302004049	1	SCHALTKASTEN NILFISK-ALTO 21PC	for Push clean and XC	4005337148
4	909100204	1	DREHKNOPF 6X5		4005337689
5	9868	1	O-RING 10X2,5		4005337098
6	32526	1	SCHRAUBE BL- 2,9X19 B DIN 7973 ZN		4005337325
7	107400057	1	STECKDOSE 16A/110V GB		4005337148
7	107400058	1	STECKDOSE 25A/110V GB		4005337148
7	107400059	1	STECKDOSE 16A/250V CH		4005337148
7	107400060	1	STECKDOSE 16A/250V DK		4005337148
7	302000149	1	STECKDOSE 2-POLIG+PE 15A /125V *US/CSA*		4005337008
7	302004034	1	STECKDOSE 16A/250V EU		4005337147
7	302004036	1	STECKDOSE 16A/250V FR		4005337147
8	107400260	1	ELEKTRONIK ATTIX 30,50 XC 230 V	230-240V	4005337152
8	107400261	1	ELEKTRONIK ATTIX 30,50 XC 115 V	100-120V	4005337152
8	302004011	1	AUTO ON-OFF SWITCH ELEKTR ONIK	for -21 PC	4005337147
8	302004060	1	EIN AUS SCHALTER SOFTSTAR	for -11 PC & -01 PC with softstart	4005337148
9	302004035	1	EIN AUS SCHALTER	for -01 PC without softstart	4005337147
10	48338	1	ENTSTÖRKONDENSATOR 0,22Æ F		4005337483
11	107400062	1	GRIFF ATTIX 30 40 50 PC	for Push clean	4005337148
11	302004050	1	GRIFF	Basic/XC	4005337148
12	302004051	1	FILTER ENTSTAUBER	Only Push Clean models	4005337148
13	302004061	1	O-RING 25X2 NBR 70		4005337148
14	107400061	1	ABDECKUNG SCHWARZ BASIC X C		4005337148
14	302004046	1	ABDECKUNG SCHWARZ PC		4005337148
15	302004027	1	ROHRHALTER HAKEN		4005337147
16	107400064	1	ROHRHALTER		4005337148
17	107400265	1	CORD H05RR-F 3G1.5 DK		4005337153
17	107400266	1	NETZLEITUNG H05RR-F 2X075		4005337153
17	107400267	1	CORD H05RR-F 3G1.0 CH		4005337153
17	107400268	1	CORD H05RR-F 2X0.75 GB		4005337153
17	107400269	1	CORD H05BQ-F 2X1.0 CEE 110V GB		4005337153
17	107400270	1	CORD H05RR-F 3G1.5 BS1 363 GB		4005337153
17	107400271	1	CORD H07BQ-F 3G2.5 GB		4005337153
17	107400272	1	CORD H05RR-F 3G1.5 ZA		4005337153
17	107400273	1	CORD H05RR-F 2X0.75 EU		4005337153
17	302000882	1	POWER CORD SJTW-AWG16/3X8		4005337030
17	302004014	1	NETZKABEL H07RN-F2X1X8.05 CEE7 EU		4005337147
17	302004037	1	NETZKABEL H05RR-F 3G1.5 C EE7/VII EU		4005337147
17	302004038	1	NETZKABEL H07RN-F2X1X8.05		4005337147
17	302004039	1	NETZKABEL H05RR-F3GX0.75A S3112 AUNZ		4005337147

Cabinet Push Clean & Basic & XC

ATTIX 50 PC, XC, EC, Clean Room

07-12-2009

ET-Liste-Nr.
ATTIX3002

5

Pos	Artikelnr.	Me Beschreibung	EAN
17	302004040	1 NETZKABEL SJTW-A AWG16/2 JP	4005337148
18	107400263	1 WIRE 2.5 X 250 YE/GR 100 - 120 V	4005337153
18	107400264	1 WIRE 1 X 150 220-240V	4005337153
19	302004032	1 SCHRAUBE 3.5X18	4005337147
20	302004029	1 SCHRAUBE 5X18	4005337147

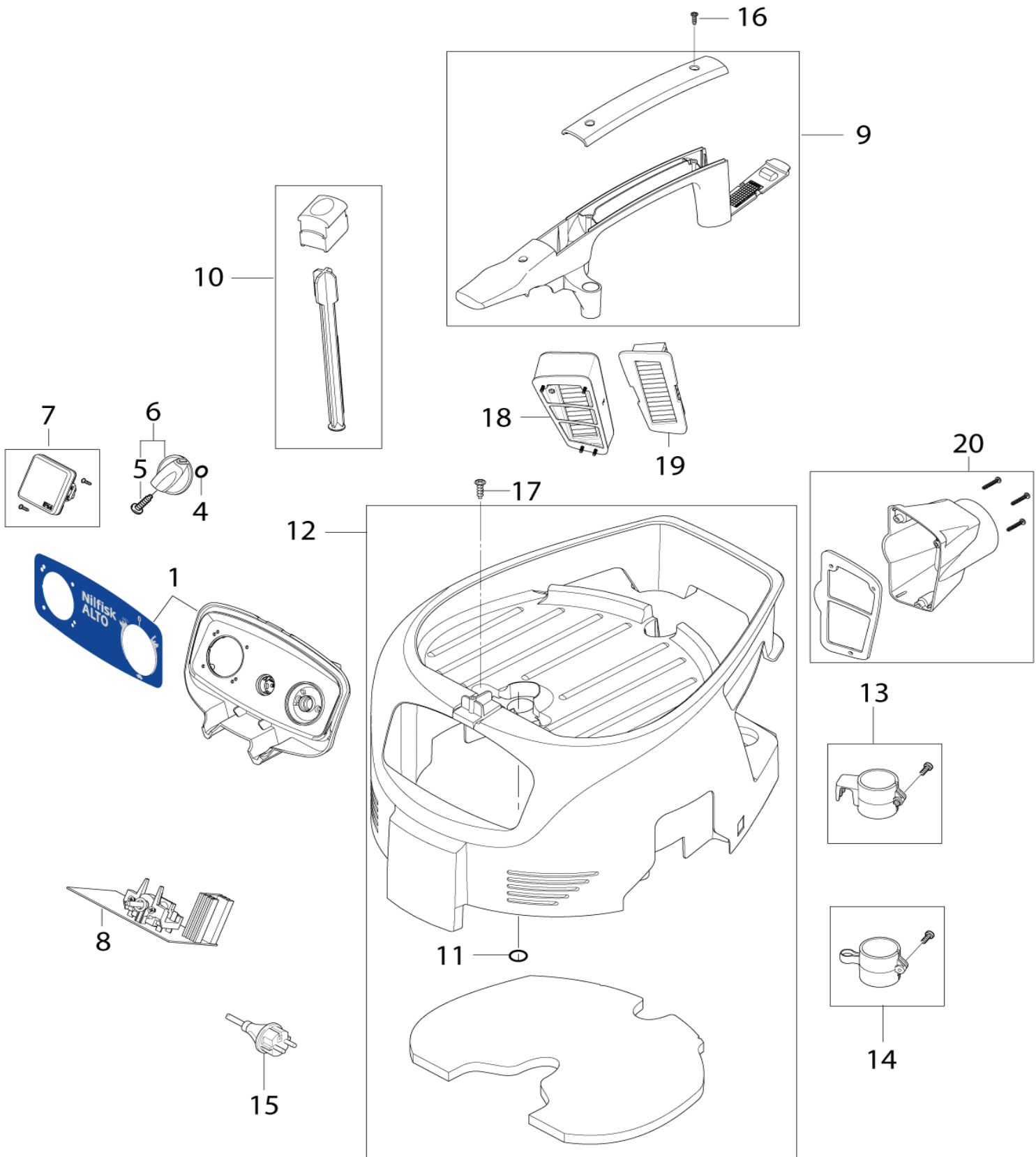
Cabinet EC and Clean Room

ATTIX 50 PC, XC, EC, Clean Room

07-12-2009

ET-Liste-Nr.
ATTIX5012

6



Cabinet EC and Clean Room

ATTIX 50 PC, XC, EC, Clean Room

07-12-2009

ET-Liste-Nr.
ATTIX5012

7

Pos	Artikelnr.	Me	Beschreibung	EAN
1	302004049	1	SCHALTKASTEN NILFISK-ALTO 21PC	4005337148
4	9868	1	O-RING 10X2,5	4005337098
5	32526	1	SCHRAUBE BL- 2,9X19 B DIN 7973 ZN	4005337325
6	909100204	1	DREHKNOPF 6X5	4005337689
7	302004034	1	STECKDOSE 16A/250V EU	4005337147
8	107400730	1	ELECTRONICS 21 PC EC 230V	7319519674
9	107400062	1	GRIFF ATTIX 30 40 50 PC	4005337148
10	302004051	1	FILTER ENTSTAUBER	4005337148
11	302004061	1	O-RING 25X2 NBR 70	4005337148
12	302004046	1	ABDECKUNG SCHWARZ PC	4005337148
13	302004027	1	ROHRHALTER HAKEN	4005337147
14	107400064	1	ROHRHALTER	4005337148
15	302004037	1	NETZKABEL H05RR-F 3G1.5 C EE7/II EU	4005337147
16	302004032	1	SCHRAUBE 3.5X18	4005337147
17	302004029	1	SCHRAUBE 5X18	4005337147
18	302003721	1	FILTER F. MOTORKÜHLUNG	Only Clean Room 4005337159
19	107400453	1	FILTER FOR MOTOR COOLING 30/40/50	Only Clean Room
20	302003717	1	BLASADAPTER	Only Clean Room 4005337144

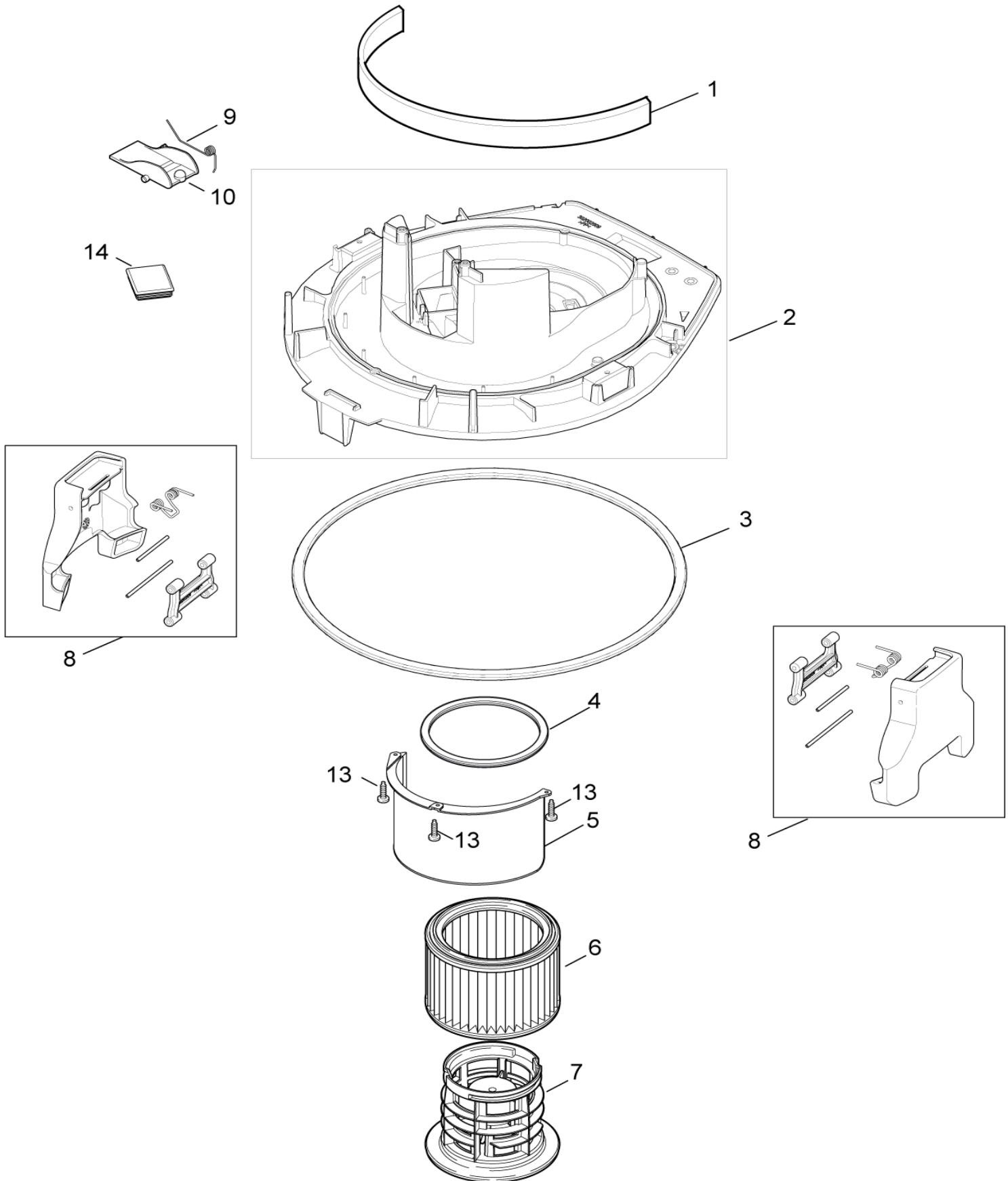
Filtersystem Push Clean & Basic

ATTIX 50 PC, XC, EC, Clean Room

07-12-2009

ET-Liste-Nr.
ATTIX3003

8



Filtersystem Push Clean & Basic

ATTIX 50 PC, XC, EC, Clean Room

07-12-2009

ET-Liste-Nr.
ATTIX3003

9

Pos	Artikelnr.	Me	Beschreibung	EAN
1	302004010	1	GERÄUSCHDÄMMUNG VORNE	4005337147
2	302004007	1	SPANNPLATTE PC	4005337147
3	107400056	1	GASKET FOR CONTAINER	ATTIX 50 4005337148
3	302004008	1	GUMMIDICHTUNG ATTIX 30	ATTIX 30 4005337147
4	302000460	1	DICHTUNG FILTER	4005337136
5	302004016	1	DEFLECTOR	4005337147
6	302000490	1	FILTERELEMENT "L+M" D 1 85X140 (ERS. F.302000461)	4005337682
6	302001095	1	FILTERELEMENT D185X140 H	HEPA 4005337035
7	302000472	1	FILTERSTÜTZKORB	4005337682
8	107400301	2	CONTAINER CLAMP	* SEE NOTE 7319519674
9	909100083	1	DREHFEDER 0,9X18X45	4005337679
10	302000344	1	KLAPPE F.A BREINIGUNG 79X 53X25	4005337674
13	302004029	1	SCHRAUBE 5X18	4005337147
14	302004058	1	ABDICHTUNG FÜR BASIC	4005337148

* NOTE TSB Vac-092 clamp and container

For machines produced before serial number 09110030030 use Container upgrade kit 107400311, ATTIX 30 or

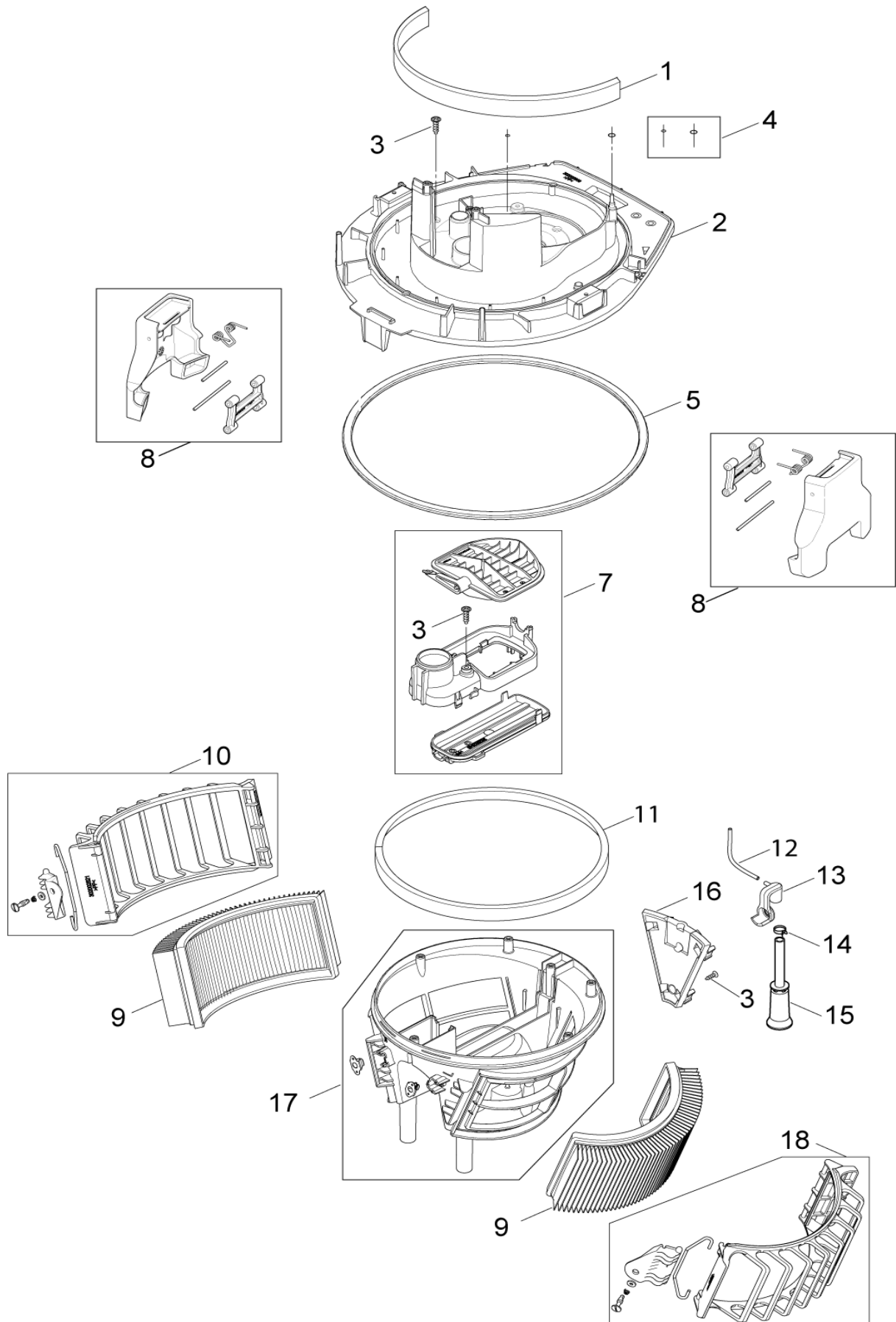
Filtersystem XC FROM 2009

ATTIX 50 PC, XC, EC, Clean Room

07-12-2009

ET-Liste-Nr.
ATTIX50XC10

10



Filtersystem XC FROM 2009

ATTIX 50 PC, XC, EC, Clean Room

07-12-2009

ET-Liste-Nr.
ATTIX50XC10

11

Pos	Artikelnr.	Me	Beschreibung	EAN
1	302004010	1	GERÄUSCHDÄMMUNG VORNE	4005337147
2	107400300	1	BASEPLATE XC	7319519674
3	302004029	9	SCHRAUBE 5X18	4005337147
4	107400274	1	O-RING XC KIT	4005337153
5	107400056	1	GASKET FOR CONTAINER	4005337148
6	107400301	2	CONTAINER CLAMP	7319519674
7	107400277	1	DECKEL FÜR ATTIX 50-21 XC	4005337153
8	107400301	1	CONTAINER CLAMP	7319519674
9	107400449	2	FILTERSATZ -H- (2 STCK.)	5715492044
10	107400497	1	H-FILTER CLAMP XC RIGHT KIT-1	7319519671
11	107400283	1	SEALING FOR XC	4005337153
12	107400306	1	HOSE D3X1.5 FILTER SIDE	7319519674
13	107400310	1	MOUNT FOR WATERLEVEL	7319519675
14	107400285	1	BAND CLAMP FITTING	4005337153
15	107400303	1	HOSE D42X155 FILL LEV. SH	7319519674
16	107400278	1	FILTERBRACKET PLATE XC	4005337153
17	107400496	1	H-FILTER BRACKET XC KIT-1	7319519671
18	107400498	1	H-FILTER CLAMP XC LEFT KIT-1	7319519671

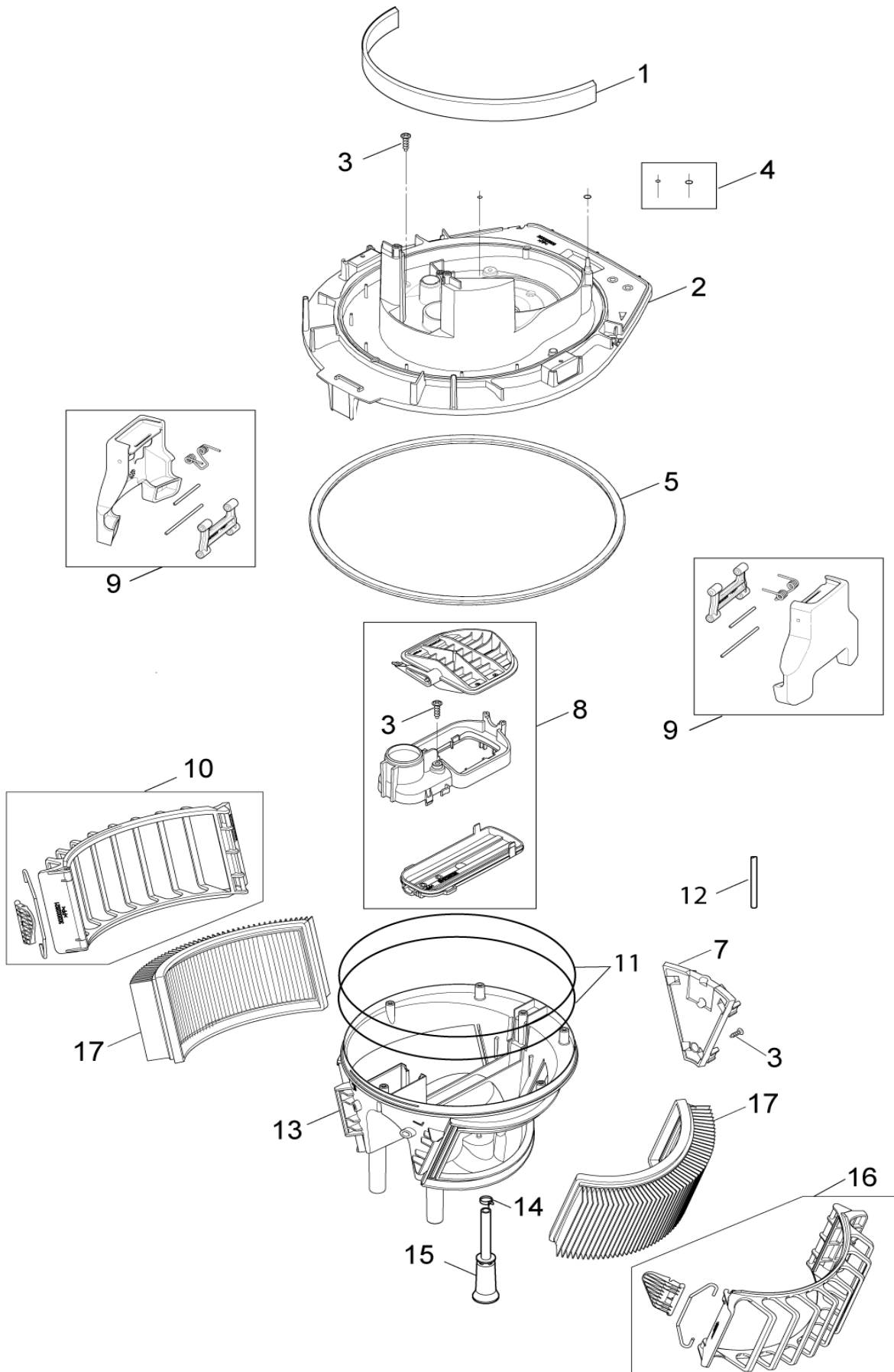
Filtersystem XC

ATTIX 50 PC, XC, EC, Clean Room

07-12-2009

ET-Liste-Nr.
ATTIX3004

12



Filtersystem XC

ATTIX 50 PC, XC, EC, Clean Room

07-12-2009

ET-Liste-Nr. ATTIX3004

13

Pos	Artikelnr.	Me	Beschreibung	EAN
1	302004010	1	GERÄUSCHDÄMMUNG VORNE	4005337147
2	107400300	1	BASEPLATE XC	7319519674
3	302004029	9	SCHRAUBE 5X18	4005337147
4	107400274	1	O-RING XC KIT	4005337153
5	107400056	1	GASKET FOR CONTAINER	ATTIX 50 4005337148
5	302004008	1	GUMMIDICHTUNG ATTIX 30	ATTIX 30 4005337147
7	107400278	1	FILTERBRACKET PLATE XC	4005337153
8	107400277	1	DECKEL FÜR ATTIX 50-21 XC	4005337153
9	107400301	2	CONTAINER CLAMP	* SEE NOTE 7319519674
10	107400307	1	FILTER CLAMP XC RIGHT KIT	7319519674
11	107400283	1	SEALING FOR XC	4005337153
12	107400306	1	HOSE D3X1.5 FILTER SIDE	7319519674
13	107400302	1	FILTERBRACKET XC	7319519674
14	107400285	1	BAND CLAMP FITTING	4005337153
15	107400303	1	HOSE D42X155 FILL LEV. SH	7319519674
16	107400308	1	FILTERKLAMMERN-KIT-1 XC L INKS	7319519675
17	107400449	1	FILTERSATZ -H- (2 STCK.)	5715492044
17	302002842	1	FLACHFILTER 2 STÜCK	5715492039

* NOTE TSB Vac-092 clamp and container

For machines produced before serial number 09110030030 use Container upgrade kit 107400311, ATTIX 30 or

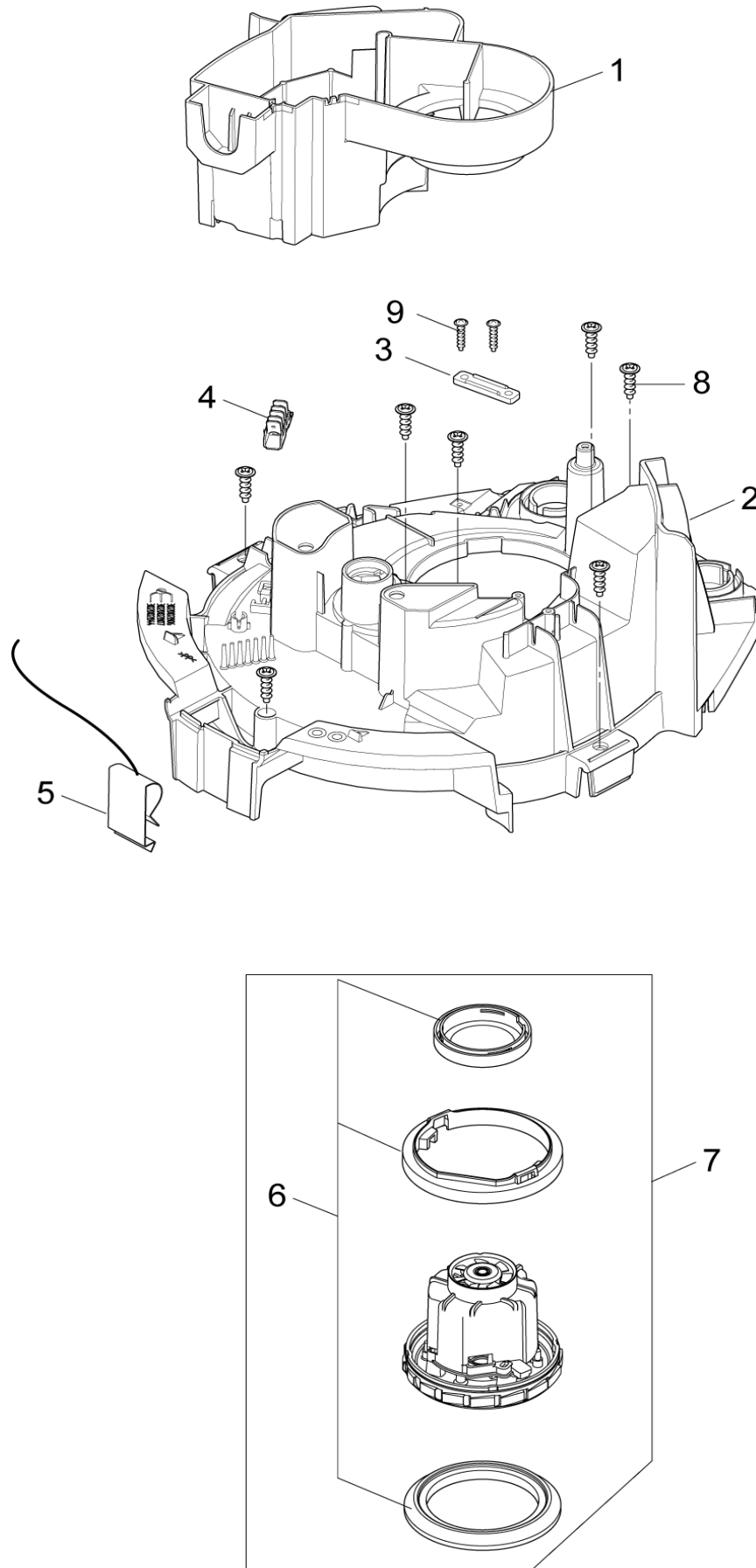
Motor Basic and Push Clean

ATTIX 50 PC, XC, EC, Clean Room

07-12-2009

ET-Liste-Nr.
ATTIX3005

14



Motor Basic and Push Clean

ATTIX 50 PC, XC, EC, Clean Room

07-12-2009

ET-Liste-Nr.
ATTIX3005

15

Pos	Artikelnr.	Me	Beschreibung	EAN
1	302004015	1	LUFTFÜHRUNG * See note	4005337147
2	302004009	1	KLEMMPLATTE PC	4005337147
3	302004030	1	KABELBINDER	4005337147
4	302004031	1	DISTRIBUTIONS STRIP 6-POL 16A	4005337147
5	302004023	1	KONTAKTFEDER	4005337147
6	302003385	1	DICHTUNGSET "R"	4005337136
7	107400130	1	TURBINE KIT 1000W 110-120V	7319519674
7	302003384	1	TURBINE 1200W 230 V ATTIX 30, 40, 50 UND 9	4005337136
7	302004006	1	MOTOR 1200W/100V JP W.GAS KET	4005337147
8	302004029	1	SCHRAUBE 5X18	4005337147
9	302004032	1	SCHRAUBE 3.5X18	4005337147
10	302004045	1	GERÄUSCHDÄMMUNG ABLUFT	4005337148

* Note: During service or repair of vacuum head always change Airguide 302004015 and Cover for air circuit 107401051

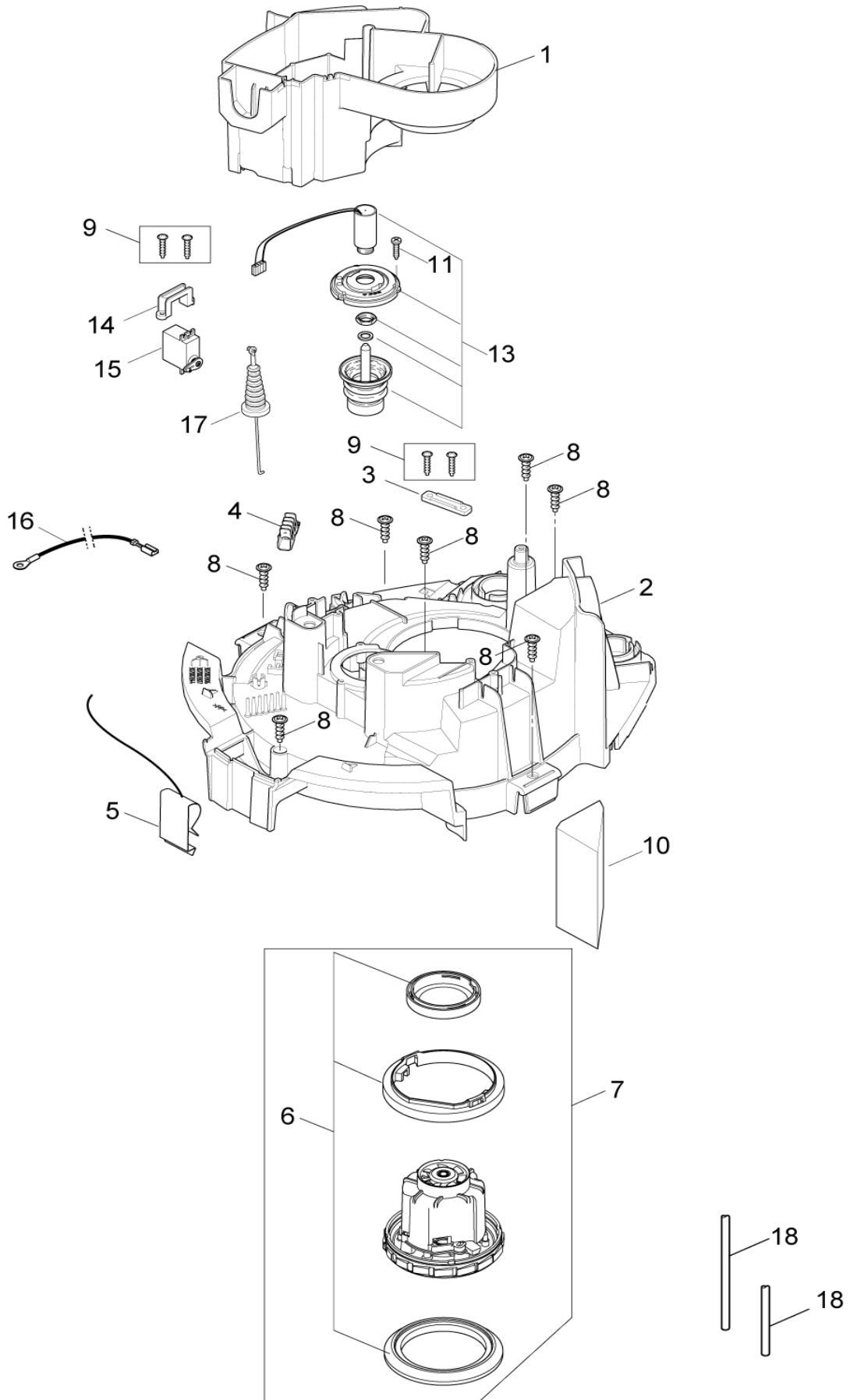
Motor XC

ATTIX 50 PC, XC, EC, Clean Room

07-12-2009

ET-Liste-Nr.
ATTIX3007

16



Motor XC

ATTIX 50 PC, XC, EC, Clean Room

07-12-2009

ET-Liste-Nr.
ATTIX3007

17

Pos	Artikelnr.	Me	Beschreibung	EAN
1	302004015	1	LUFTFÜHRUNG * See note	4005337147
2	107400287	1	CLAMPINGPLATE XC	4005337153
3	302004030	1	KABELBINDER	4005337147
4	302004031	1	DISTRIBUTIONS STRIP 6-POL 16A	4005337147
5	302004023	1	KONTAKTFEDER	4005337147
6	302003385	1	DICHTUNGSET "R"	4005337136
7	302003384	1	TURBINE 1200W 230 V ATTIX 30, 40, 50 UND 9	4005337136
7	302004006	1	MOTOR 1200W/100V JP W.GAS KET	4005337147
8	302004029	1	SCHRAUBE 5X18	4005337147
9	302004032	1	SCHRAUBE 3.5X18	4005337147
10	302004045	1	GERÄUSCHDÄMMUNG ABLUFT	4005337148
11	302003319	3	SCHRAUBEN SET	4005337140
13	107400291	1	MAGNET 230V	4005337153
13	107400292	1	MAGNET 110V	4005337153
14	107400289	1	SERVO BRACKET	4005337153
15	107400290	1	SERVO FOR XC	4005337153
16	107400262	1	WIRE 1X200 YELLOW/GREEN	4005337153
17	107400276	1	SERVO WIRE XC	4005337153
18	107400309	2	HOSE D3X1.5 TURBINE SIDE XC	7319519675

* Note: During service or repair of vacuum head always change Airguide 302004015 and Cover for air circuit 107401051

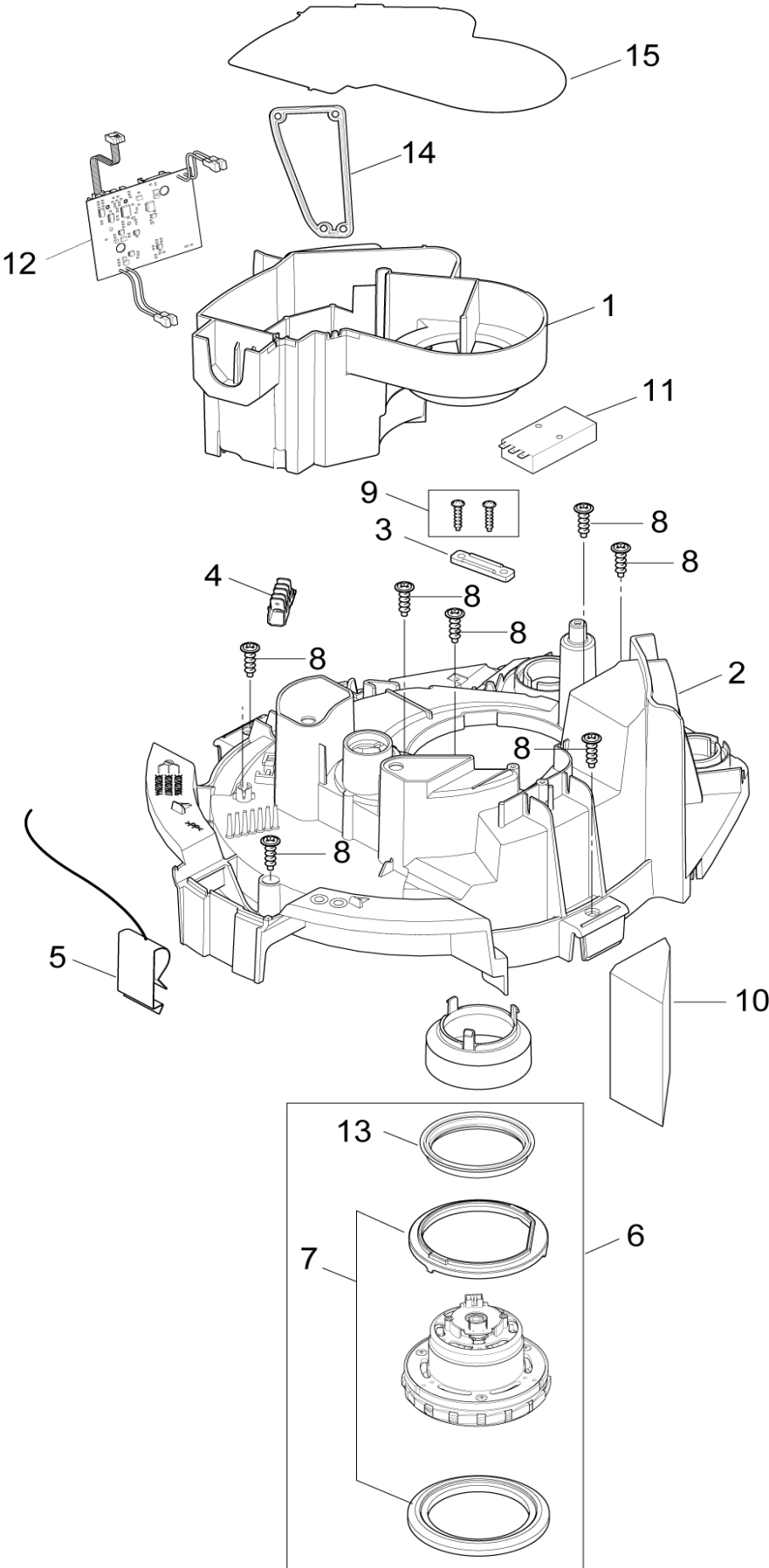
Motor EC and Clean Room

ATTIX 50 PC, XC, EC, Clean Room

07-12-2009

ET-Liste-Nr. ATTIX5008

18



Motor EC and Clean Room

ATTIX 50 PC, XC, EC, Clean Room

07-12-2009

ET-Liste-Nr.
ATTIX5008

19

Pos	Artikelnr.	Me	Beschreibung	EAN
1	302004015	1	LUFTFÜHRUNG * See note	4005337147
2	302004009	1	KLEMMPLATTE PC	4005337147
3	302004030	1	KABELBINDER	4005337147
4	302004031	1	DISTRIBUTIONS STRIP 6-POL 16A	4005337147
5	302004023	1	KONTAKTFEDER	4005337147
6	107400042	1	EC MOTOR ATTIX9 TYP 22	4005337147
7	302003648	1	SEALING KIT R	4005337143
8	302004029	1	SCHRAUBE 5X18	4005337147
9	302004032	1	SCHRAUBE 3.5X18	4005337147
10	302004045	1	GERÄUSCHDÄMMUNG ABLUFT	4005337148
11	42103	1	ENTSTÖRFILTER EC 220V	4005337421
12	107400044	1	EC STEUERUNG ATTIX 9 TYP 22	4005337147
13	47364	1	DICHTRING 108X86X18	4005337473
14	107401050	1	INNER SEALING ATTIX 30-40-50 EC and Clean Room	7319519675
15	107401051	1	COVER FOR AIR CIRCUIT Clean Room - * See note	7319519675

* Note: During service or repair of vacuum head always change Airguide 302004015 and Cover for air circuit 107401051

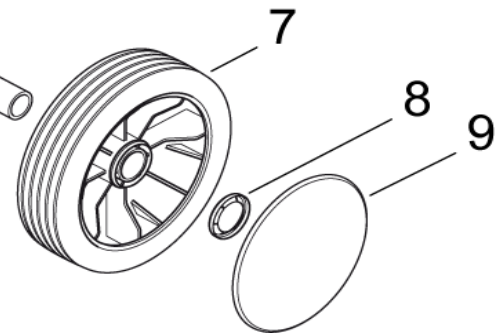
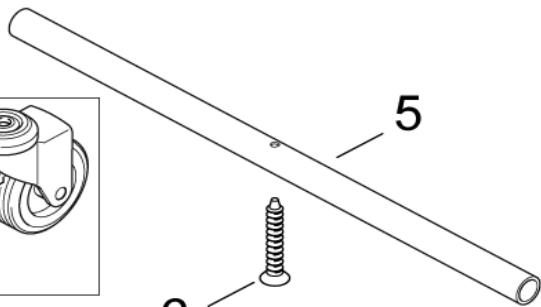
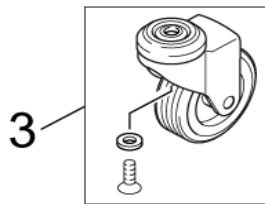
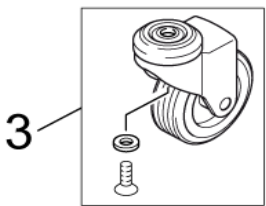
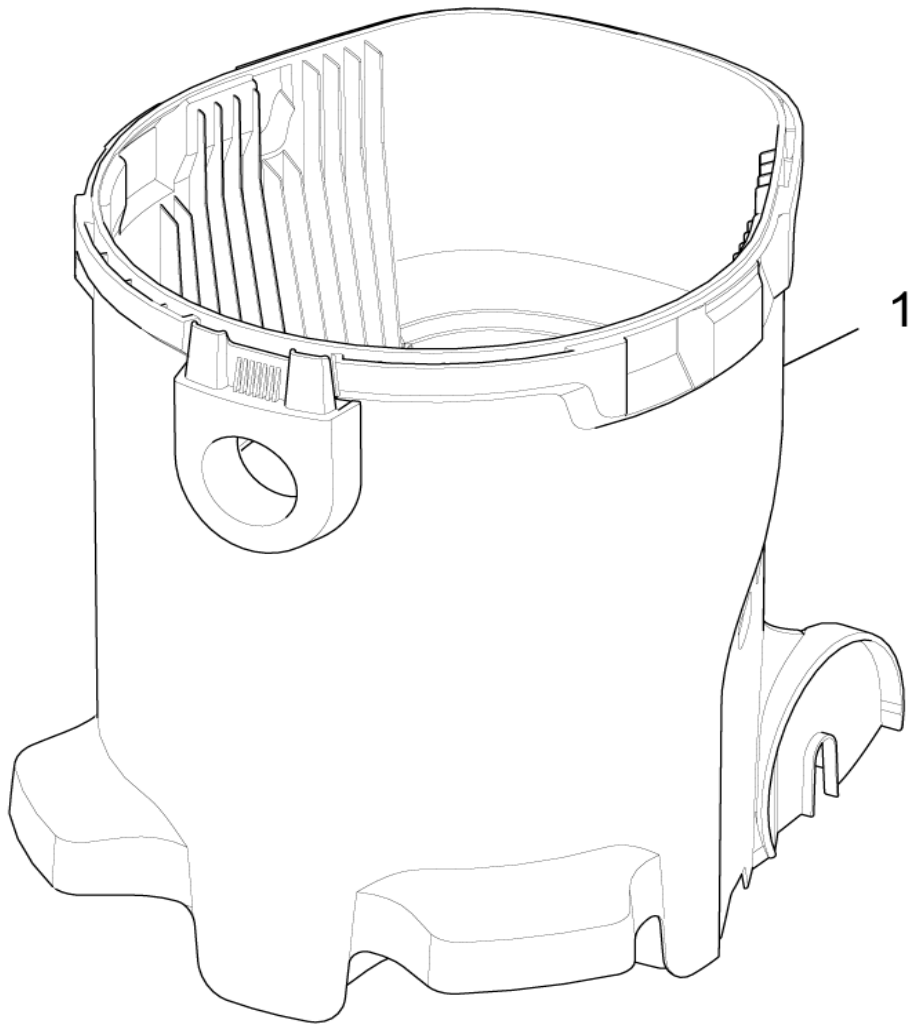
Container ATTIX 50

ATTIX 50 PC, XC, EC, Clean Room

07-12-2009

ET-Liste-Nr. ATTIX5006

20



Container ATTIX 50

ATTIX 50 PC, XC, EC, Clean Room

07-12-2009

ET-Liste-Nr.
ATTIX5006

21

Pos	Artikelnr.	Me	Beschreibung	EAN
1	107400305	1	CONTAINER WITH FITTING ATTIX50	7319519674
3	302004059	2	VORDERRAD FÜR BEHÄLTER	4005337148
5	302004022	1	RADACHSE	4005337147
6	107400063	1	SCHRAUBE 5X35	4005337148
7	302000639	2	RAD 150X20	4005337687
8	47302	2	KLEMMRING 28,6/ 20X1,3	4005337473
9	302000701	2	RADKAPPE 115	4005337690

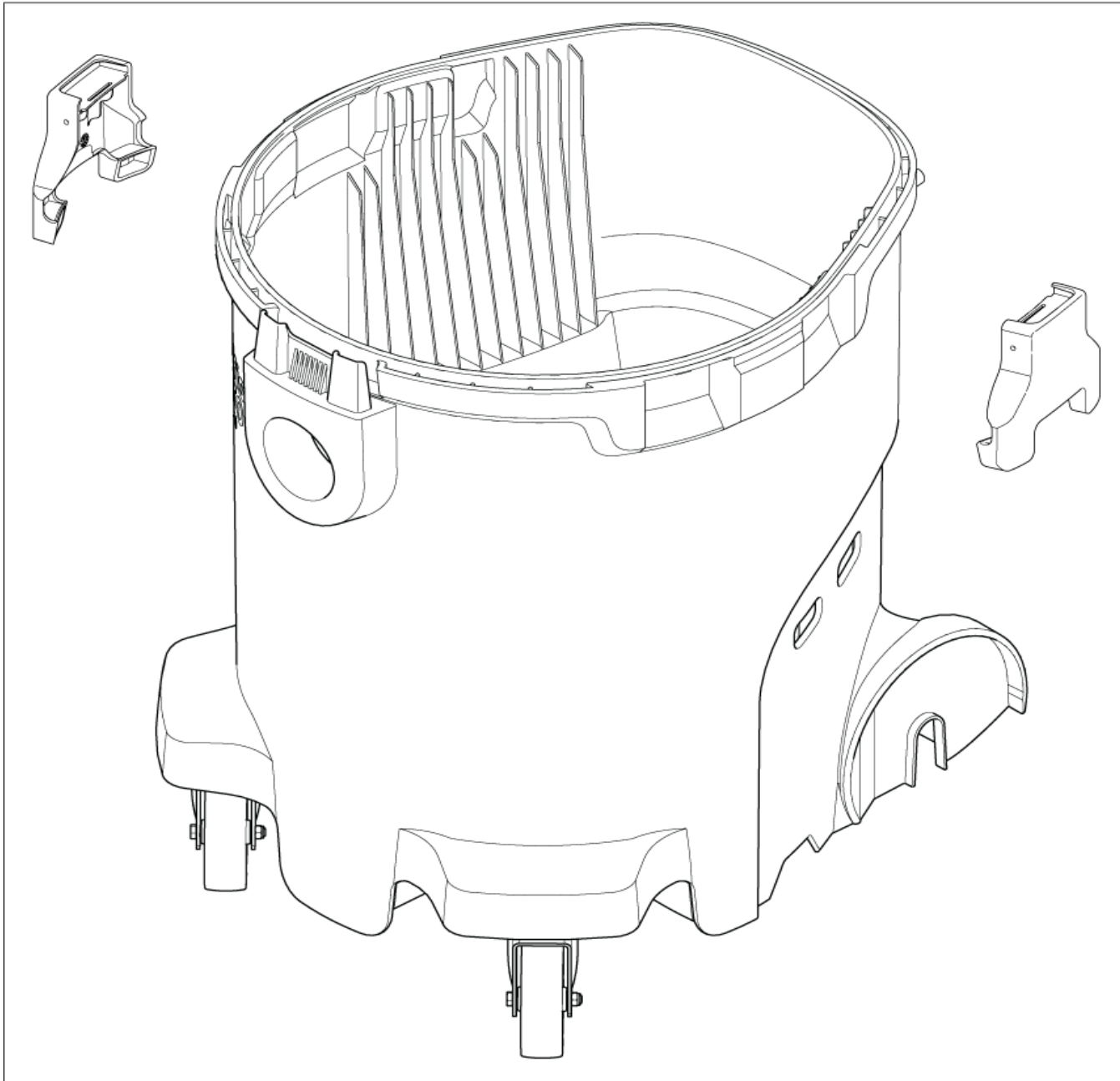
Container upgrade kit, ATTIX 50

ATTIX 50 PC, XC, EC, Clean Room

07-12-2009

ET-Liste-Nr.
ATTIX50HM18

22



Container upgrate kit, ATTIX 50

ATTIX 50 PC, XC, EC, Clean Room

07-12-2009

ET-Liste-Nr.
ATTIX50HM18

23

Pos	Artikelnr.	Me	Beschreibung	EAN
1	107400312	1	CONTAINER KIT ATTIX 50	7319519675

Zubehör/ Sonstiges
ATTIX 50 PC, XC, EC, Clean Room

07-12-2009

ET-Liste-Nr. ATTIX5010

24

Keine Zeichnung zur ET-Liste

Zubehör/ Sonstiges

ATTIX 50 PC, XC, EC, Clean Room

07-12-2009

ET-Liste-Nr.
ATTIX5010

25

Pos	Artikelnr.	Me	Beschreibung	EAN
-	107400079	1	AIRBOX 230V 50 HZ EU	7319519671
-	107400453	1	FILTER FOR MOTOR COOLING 30/40/50	
-	302003717	1	BLASADAPTER	4005337144
-	302003721	1	FILTER F. MOTORKÜHLUNG	4005337159
	15325	1	SAUGSCHLAUCH 27X3500 KPL.	4005337153
	15546	1	SAUGROHR D36X505 VA SET2	4005337155
	302000477	1	BODENDÜSE D36X260	4005337682
	302000490	1	FILTERELEMENT "L+M" D 1 85X140 (ERS. F.302000461)	4005337682
	302000528	1	HANDROHR GEBOGEN D36 MIT QUICKSYSTEM VERCHROMT	4005337683
	302000529	1	SAUGROHR D36X505 SET 2 STÜCK VERCHROMT	4005337021
	302000535	1	WERKZEUGMUFFE D27	4005337683
	302000728	1	ENTSORGUNGSSACK (SET 5) ATTIX 5/50	4005337027
	302001682	1	SAUGSCHLAUCH D36X5000 MIT MUFFEN AS EVA	4005337070
	302002842	1	FLACHFILTER 2 STÜCK	5715492039
	302003666	1	BODENDÜSE 36 X 400 MM	4005337144
0	302003796	1	ERSATZ-BÜRSTENLEISTE, 2 STÜCK	5715492039
			For floor nozzle 302003666	
0	302003797	1	ERSATZ-GUMMILIPPEN, 2 STÜCK	5715492039
			For floor nozzle 302003666	
	302004004	1	VLIES FILTERSACK VPE 5 ATTIX 40 UND 50	5715492039
	46691	1	HANDROHR GEBOGEN D36 VA	4005337466
	46948	1	SAUGSCHLAUCH 36X3000 KP	4005337469
	5146	1	SAUGBÜRSTE D36	4005337051
	60356	1	PROFI-BODENDÜSE D36	4005337603
	6084	1	FUGENDÜSE D35X300 MM	4005337060