

Preisabfragen und Bestellungen der Artikel im Shop unter

[www.wapalto-shop.de](http://www.wapalto-shop.de)

**(einfach Artikelnummer in die Suchmaske eingeben)**

oder per Fax unter 0049 (0)7351 – 575801

Heine Vertriebs-GmbH WAP-ALTO Reinigungssysteme  
Mettenbergerstr. 4  
D-88400 Biberach/Riss

Sitz: D-88400 Mettenberg, Mettenbergerstr. 4  
Amtsgericht Biberach/Riß HRB 641174 Landgericht Ravensburg,  
Geschäftsführer: Jürgen Heine Dipl.-Ing (FH)  
Steuernummer: 54 003 31698 FA Biberach

# ATTIX 30 PC and XC

---

Model:  
ATTIX 30-01  
ATTIX 30-11 PC  
ATTIX 30-21 PC  
ATTIX 30-21 XC



Stückliste Deutsch

07-12-2009

# Inhalt

ATTIX 30 PC and XC

<b>Cabinet Push Clean &amp; Basic &amp; XC</b>	<b>3</b>
<b>Filtersystem Push Clean &amp; Basic</b>	<b>6</b>
<b>Filtersystem XC FROM 2009</b>	<b>8</b>
<b>Filtersystem XC</b>	<b>10</b>
<b>Motor Basic and Push Clean</b>	<b>12</b>
<b>Motor XC</b>	<b>14</b>
<b>Container ATTIX 30</b>	<b>16</b>
<b>Container upgrate kit, ATTIX 30</b>	<b>18</b>
<b>Zubehör/ Sonstiges</b>	<b>20</b>

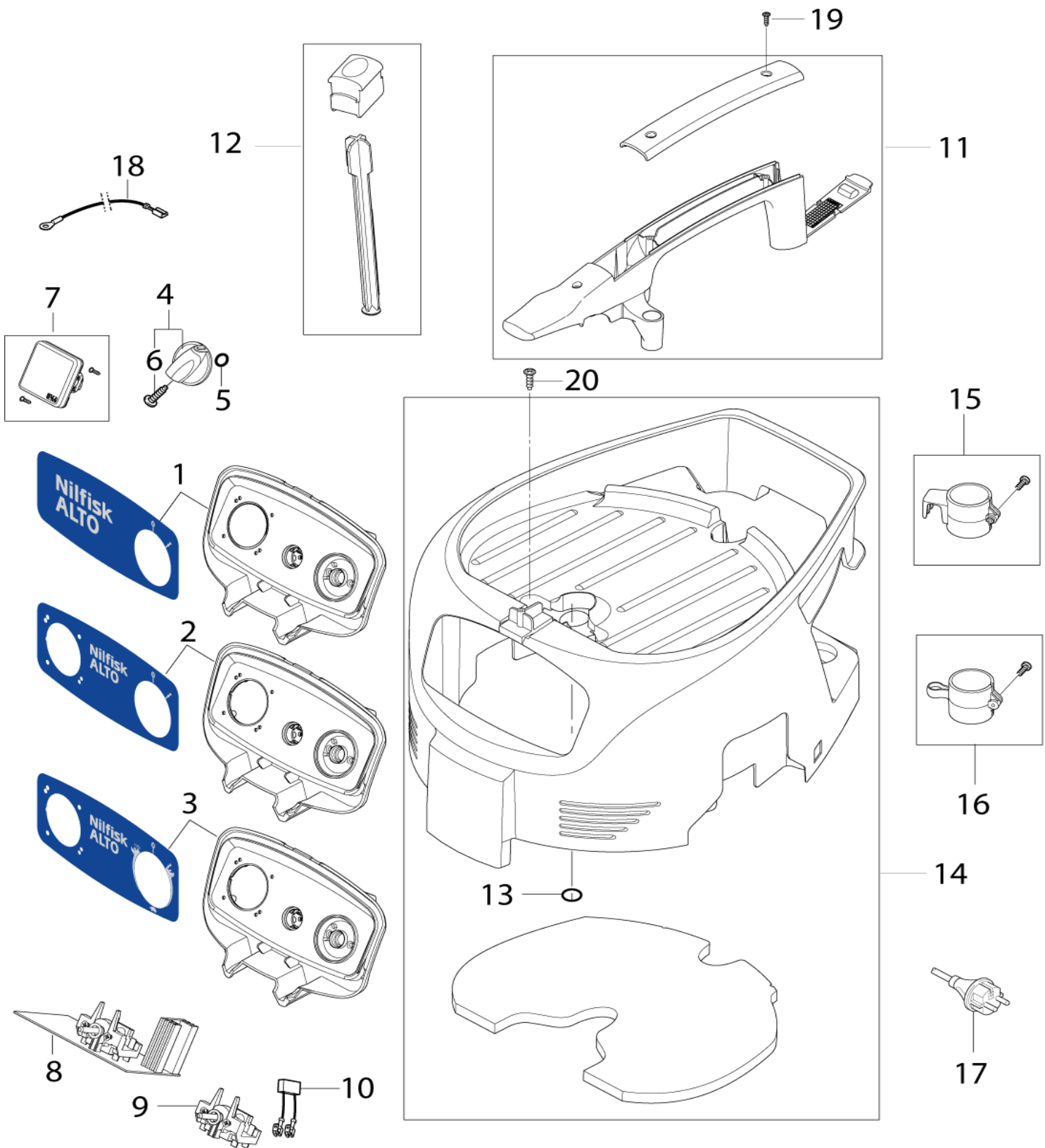
# Cabinet Push Clean & Basic & XC

ATTIX 30 PC and XC

07-12-2009

ET-Liste-Nr.  
ATTIX3002

3



# Cabinet Push Clean & Basic & XC

ATTIX 30 PC and XC

07-12-2009

ET-Liste-Nr.  
ATTIX3002

4

Pos	Artikelnr.	Me Beschreibung		EAN
0	302003503	1 BOX KIT ATTIX 40	ONLY FOR ATTIX 3	4005337140
1	302004047	1 SCHALTKASTEN NILFISK-ALTO 01PC		4005337148
2	302004048	1 SCHALTKASTEN NILFISK-ALTO 11PC		4005337148
3	302004049	1 SCHALTKASTEN NILFISK-ALTO 21PC	for Push clean and XC	4005337148
4	909100204	1 DREHKNOPF 6X5		4005337689
5	9868	1 O-RING 10X2,5		4005337098
6	32526	1 SCHRAUBE BL- 2,9X19 B DIN 7973 ZN		4005337325
7	107400057	1 STECKDOSE 16A/110V GB		4005337148
7	107400058	1 STECKDOSE 25A/110V GB		4005337148
7	107400059	1 STECKDOSE 16A/250V CH		4005337148
7	107400060	1 STECKDOSE 16A/250V DK		4005337148
7	302000149	1 STECKDOSE 2-POLIG+PE 15A /125V *US/CSA*		4005337008
7	302004034	1 STECKDOSE 16A/250V EU		4005337147
7	302004036	1 STECKDOSE 16A/250V FR		4005337147
8	107400260	1 ELEKTRONIK ATTIX 30,50 XC 230 V	230-240V	4005337152
8	107400261	1 ELEKTRONIK ATTIX 30,50 XC 115 V	100-120V	4005337152
8	302004011	1 AUTO ON-OFF SWITCH ELEKTR ONIK	for -21 PC	4005337147
8	302004060	1 EIN AUS SCHALTER SOFTSTAR	for -11 PC & -01 PC with softstart	4005337148
9	302004035	1 EIN AUS SCHALTER	for -01 PC without softstart	4005337147
10	48338	1 ENTSTÖRKONDENSATOR 0,22Æ F		4005337483
11	107400062	1 GRIFF ATTIX 30 40 50 PC	for Push clean	4005337148
11	302004050	1 GRIFF	Basic/XC	4005337148
12	302004051	1 FILTER ENTSTAUBER	Only Push Clean models	4005337148
13	302004061	1 O-RING 25X2 NBR 70		4005337148
14	107400061	1 ABDECKUNG SCHWARZ BASIC X C		4005337148
14	302004046	1 ABDECKUNG SCHWARZ PC		4005337148
15	302004027	1 ROHRHALTER HAKEN		4005337147
16	107400064	1 ROHRHALTER		4005337148
17	107400265	1 CORD H05RR-F 3G1.5 DK		4005337153
17	107400266	1 NETZLEITUNG H05RR-F 2X075		4005337153
17	107400267	1 CORD H05RR-F 3G1.0 CH		4005337153
17	107400268	1 CORD H05RR-F 2X0.75 GB		4005337153
17	107400269	1 CORD H05BQ-F 2X1.0 CEE 110V GB		4005337153
17	107400270	1 CORD H05RR-F 3G1.5 BS1 363 GB		4005337153
17	107400271	1 CORD H07BQ-F 3G2.5 GB		4005337153
17	107400272	1 CORD H05RR-F 3G1.5 ZA		4005337153
17	107400273	1 CORD H05RR-F 2X0.75 EU		4005337153
17	302000882	1 POWER CORD SJTW-AWG16/3X8		4005337030
17	302004014	1 NETZKABEL H07RN-F2X1X8.05 CEE7 EU		4005337147
17	302004037	1 NETZKABEL H05RR-F 3G1.5 C EE7/VII EU		4005337147
17	302004038	1 NETZKABEL H07RN-F2X1X8.05		4005337147
17	302004039	1 NETZKABEL H05RR-F3GX0.75A S3112 AUNZ		4005337147

# Cabinet Push Clean & Basic & XC

ATTIX 30 PC and XC

07-12-2009

ET-Liste-Nr. ATTIX3002

5

Pos	Artikelnr.	Me Beschreibung	EAN
17	302004040	1 NETZKABEL SJTW-A AWG16/2 JP	4005337148
18	107400263	1 WIRE 2.5 X 250 YE/GR 100 - 120 V	4005337153
18	107400264	1 WIRE 1 X 150 220-240V	4005337153
19	302004032	1 SCHRAUBE 3.5X18	4005337147
20	302004029	1 SCHRAUBE 5X18	4005337147

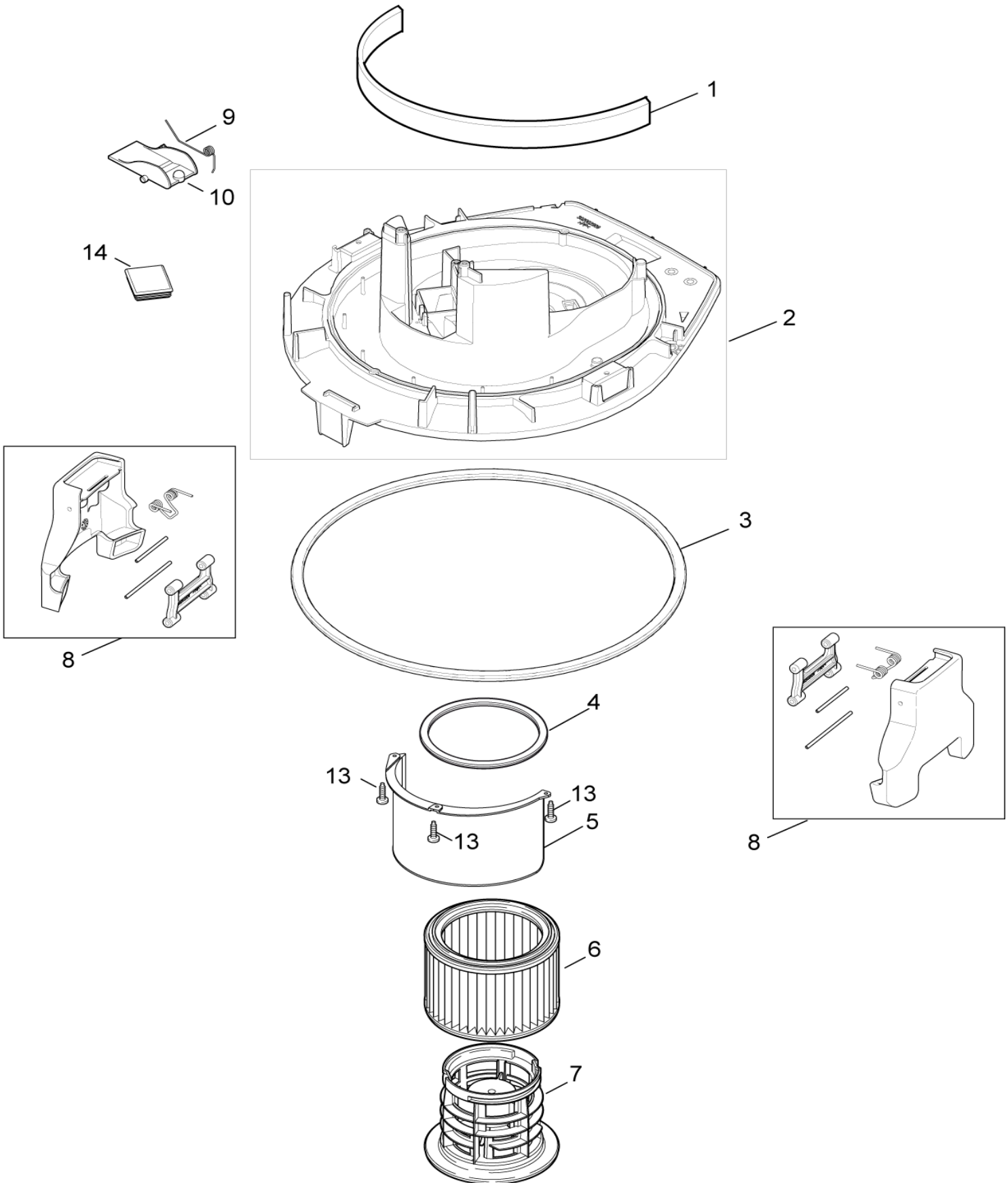
# Filtersystem Push Clean & Basic

ATTIX 30 PC and XC

07-12-2009

ET-Liste-Nr. ATTIX3003

6



# Filtersystem Push Clean & Basic

ATTIX 30 PC and XC

07-12-2009

ET-Liste-Nr.  
ATTIX3003

7

Pos	Artikelnr.	Me	Beschreibung	EAN
1	302004010	1	GERÄUSCHDÄMMUNG VORNE	4005337147
2	302004007	1	SPANNPLATTE PC	4005337147
3	107400056	1	GASKET FOR CONTAINER	ATTIX 50 4005337148
3	302004008	1	GUMMIDICHTUNG ATTIX 30	ATTIX 30 4005337147
4	302000460	1	DICHTUNG FILTER	4005337136
5	302004016	1	DEFLECTOR	4005337147
6	302000490	1	FILTERELEMENT "L+M" D 1 85X140 (ERS. F.302000461)	4005337682
6	302001095	1	FILTERELEMENT D185X140 H	HEPA 4005337035
7	302000472	1	FILTERSTÜTZKORB	4005337682
8	107400301	2	CONTAINER CLAMP	* SEE NOTE 7319519674
9	909100083	1	DREHFEDER 0,9X18X45	4005337679
10	302000344	1	KLAPPE F.A BREINIGUNG 79X 53X25	4005337674
13	302004029	1	SCHRAUBE 5X18	4005337147
14	302004058	1	ABDICHTUNG FÜR BASIC	4005337148

\* NOTE TSB Vac-092 clamp and container

For machines produced before serial number 09110030030 use Container upgrade kit 107400311, ATTIX 30 or



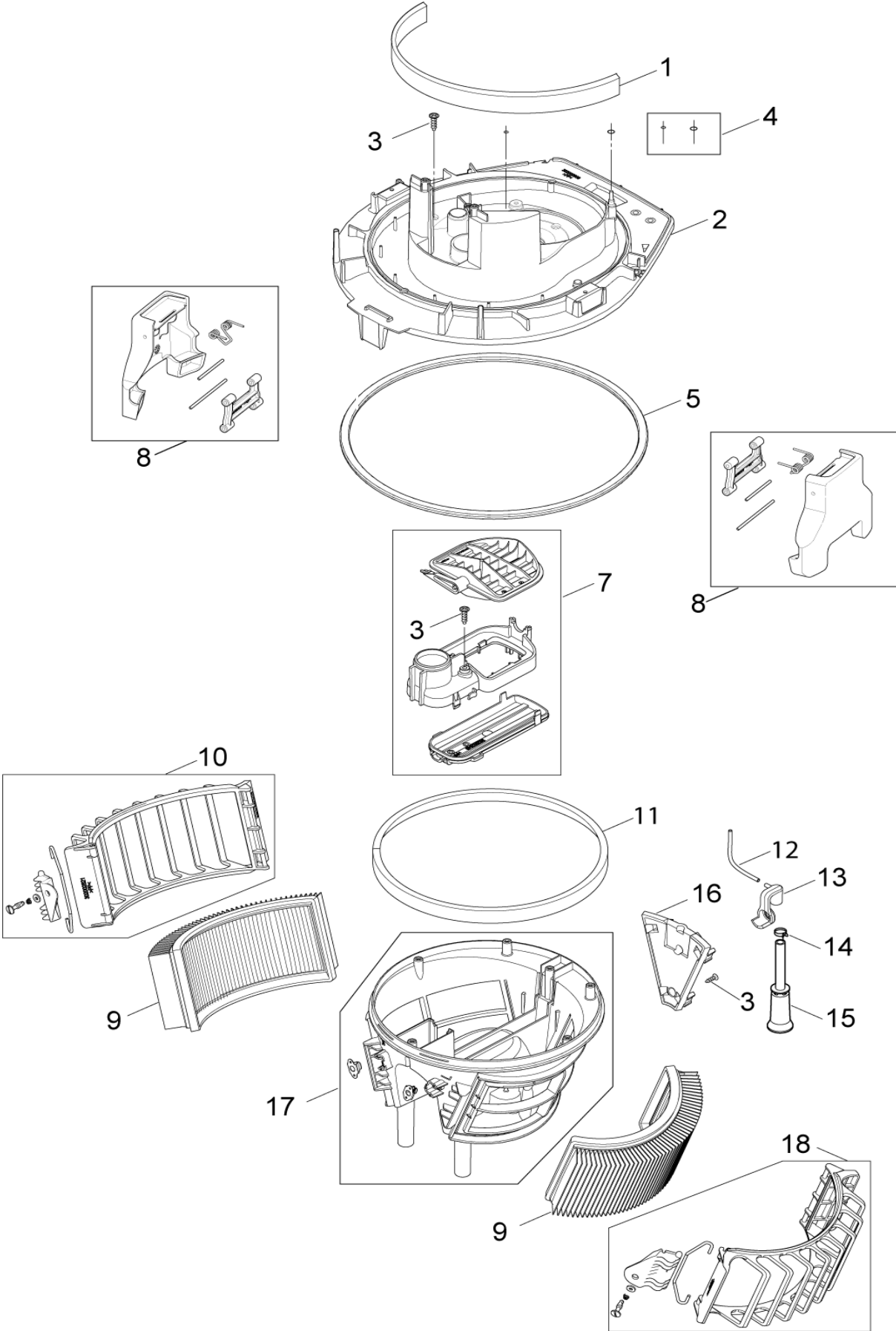
# Filtersystem XC FROM 2009

ATTIX 30 PC and XC

07-12-2009

ET-Liste-Nr.  
ATTIX3050XC10

8



# Filtersystem XC FROM 2009

ATTIX 30 PC and XC

07-12-2009

ET-Liste-Nr.  
ATTIX3050XC10

9

Pos	Artikelnr.	Me	Beschreibung	EAN
1	302004010	1	GERÄUSCHDÄMMUNG VORNE	4005337147
2	107400300	1	BASEPLATE XC	7319519674
3	302004029	9	SCHRAUBE 5X18	4005337147
4	107400274	1	O-RING XC KIT	4005337153
5	107400056	1	GASKET FOR CONTAINER	ATTIX 50 4005337148
5	302004008	1	GUMMIDICHTUNG ATTIX 30	ATTIX 30 4005337147
6	107400301	2	CONTAINER CLAMP	7319519674
7	107400277	1	DECKEL FÜR ATTIX 50-21 XC	4005337153
8	107400301	1	CONTAINER CLAMP	7319519674
9	107400449	2	FILTERSATZ -H- (2 STCK.)	5715492044
10	107400497	1	H-FILTER CLAMP XC RIGHT KIT-1	7319519671
11	107400283	1	SEALING FOR XC	4005337153
12	107400306	1	HOSE D3X1.5 FILTER SIDE	7319519674
13	107400310	1	MOUNT FOR WATERLEVEL	7319519675
14	107400285	1	BAND CLAMP FITTING	4005337153
15	107400303	1	HOSE D42X155 FILL LEV. SH	7319519674
16	107400278	1	FILTERBRACKET PLATE XC	4005337153
17	107400496	1	H-FILTER BRACKET XC KIT-1	7319519671
18	107400498	1	H-FILTER CLAMP XC LEFT KIT-1	7319519671

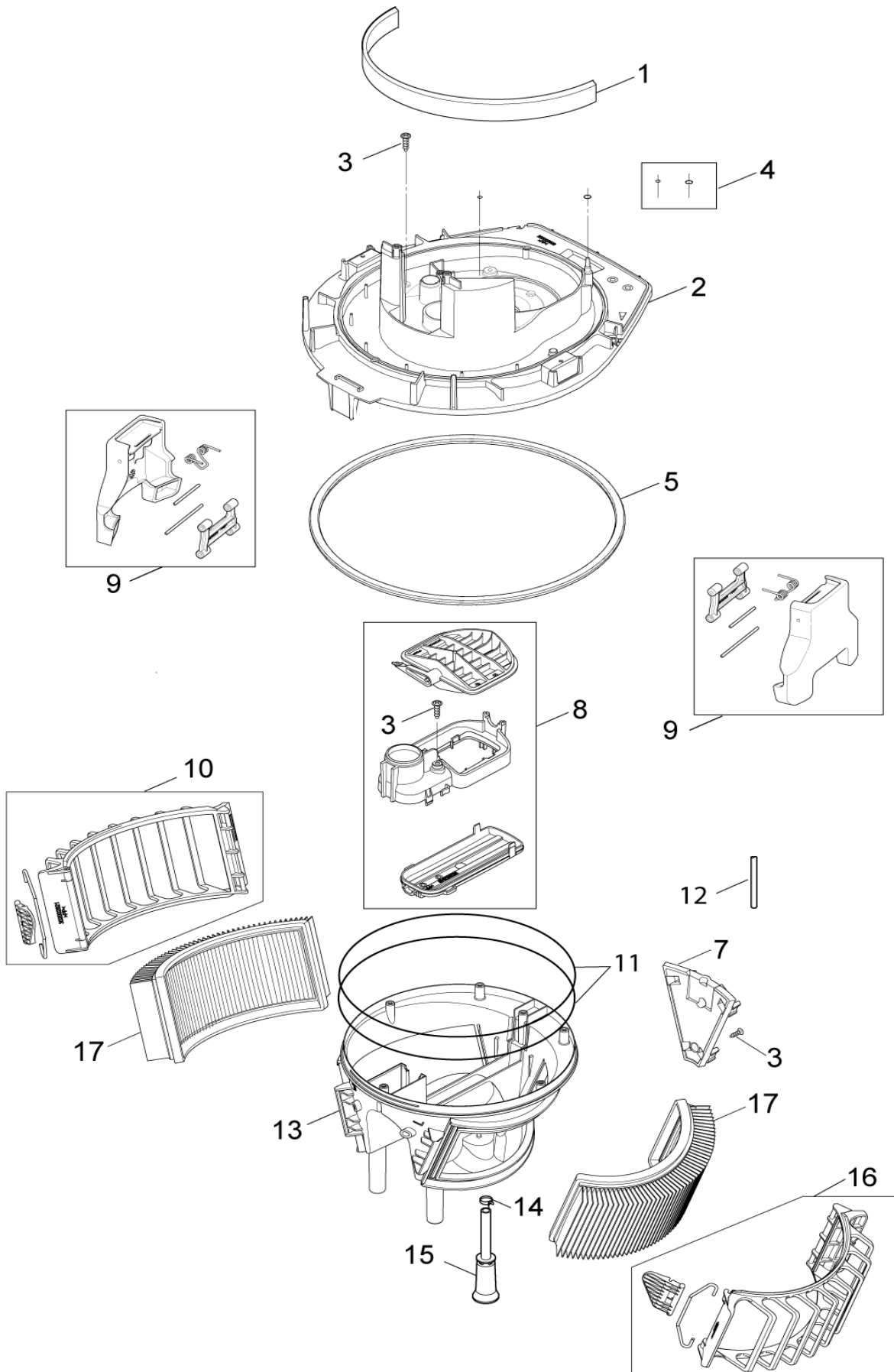
# Filtersystem XC

ATTIX 30 PC and XC

07-12-2009

ET-Liste-Nr.  
ATTIX3004

10



# Filtersystem XC

ATTIX 30 PC and XC

07-12-2009

ET-Liste-Nr.  
ATTIX3004

11

Pos	Artikelnr.	Me	Beschreibung	EAN
1	302004010	1	GERÄUSCHDÄMMUNG VORNE	4005337147
2	107400300	1	BASEPLATE XC	7319519674
3	302004029	9	SCHRAUBE 5X18	4005337147
4	107400274	1	O-RING XC KIT	4005337153
5	107400056	1	GASKET FOR CONTAINER	ATTIX 50 4005337148
5	302004008	1	GUMMIDICHTUNG ATTIX 30	ATTIX 30 4005337147
7	107400278	1	FILTERBRACKET PLATE XC	4005337153
8	107400277	1	DECKEL FÜR ATTIX 50-21 XC	4005337153
9	107400301	2	CONTAINER CLAMP	* SEE NOTE 7319519674
10	107400307	1	FILTER CLAMP XC RIGHT KIT	7319519674
11	107400283	1	SEALING FOR XC	4005337153
12	107400306	1	HOSE D3X1.5 FILTER SIDE	7319519674
13	107400302	1	FILTERBRACKET XC	7319519674
14	107400285	1	BAND CLAMP FITTING	4005337153
15	107400303	1	HOSE D42X155 FILL LEV. SH	7319519674
16	107400308	1	FILTERKLAMMERN-KIT-1 XC L INKS	7319519675
17	107400449	1	FILTERSATZ -H- (2 STCK.)	5715492044
17	302002842	1	FLACHFILTER 2 STÜCK	5715492039

\* NOTE TSB Vac-092 clamp and container

For machines produced before serial number 09110030030 use Container upgrade kit 107400311, ATTIX 30 or

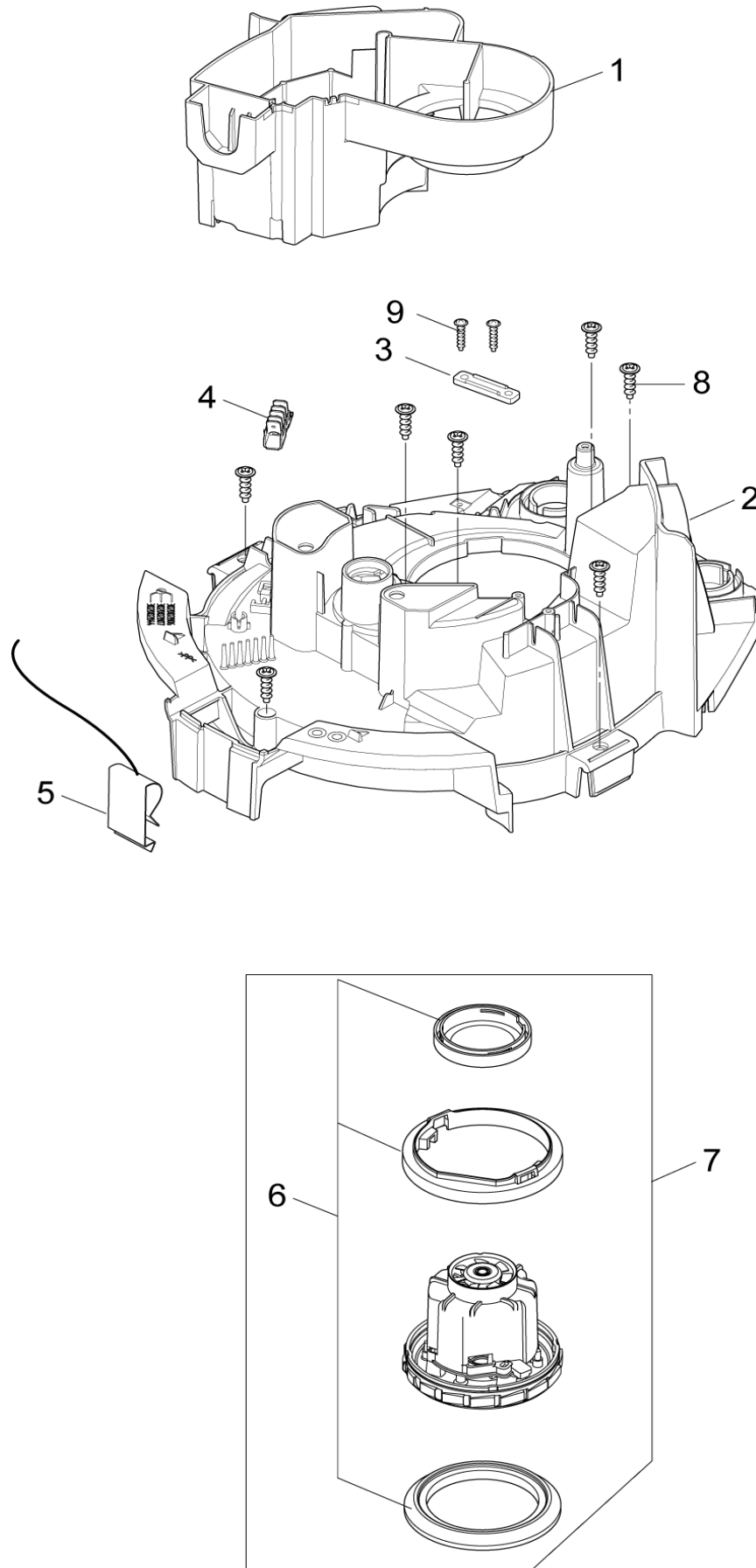
# Motor Basic and Push Clean

ATTIX 30 PC and XC

07-12-2009

ET-Liste-Nr.  
ATTIX3005

12



# Motor Basic and Push Clean

ATTIX 30 PC and XC

07-12-2009

ET-Liste-Nr.  
ATTIX3005

13

Pos	Artikelnr.	Me	Beschreibung	EAN
1	302004015	1	LUFTFÜHRUNG * See note	4005337147
2	302004009	1	KLEMMPLATTE PC	4005337147
3	302004030	1	KABELBINDER	4005337147
4	302004031	1	DISTRIBUTIONS STRIP 6-POL 16A	4005337147
5	302004023	1	KONTAKTFEDER	4005337147
6	302003385	1	DICHTUNGSET "R"	4005337136
7	107400130	1	TURBINE KIT 1000W 110-120V	7319519674
7	302003384	1	TURBINE 1200W 230 V ATTIX 30, 40, 50 UND 9	4005337136
7	302004006	1	MOTOR 1200W/100V JP W.GAS KET	4005337147
8	302004029	1	SCHRAUBE 5X18	4005337147
9	302004032	1	SCHRAUBE 3.5X18	4005337147
10	302004045	1	GERÄUSCHDÄMMUNG ABLUFT	4005337148

\* Note: During service or repair of vacuum head always change Airguide 302004015 and Cover for air circuit 107401051

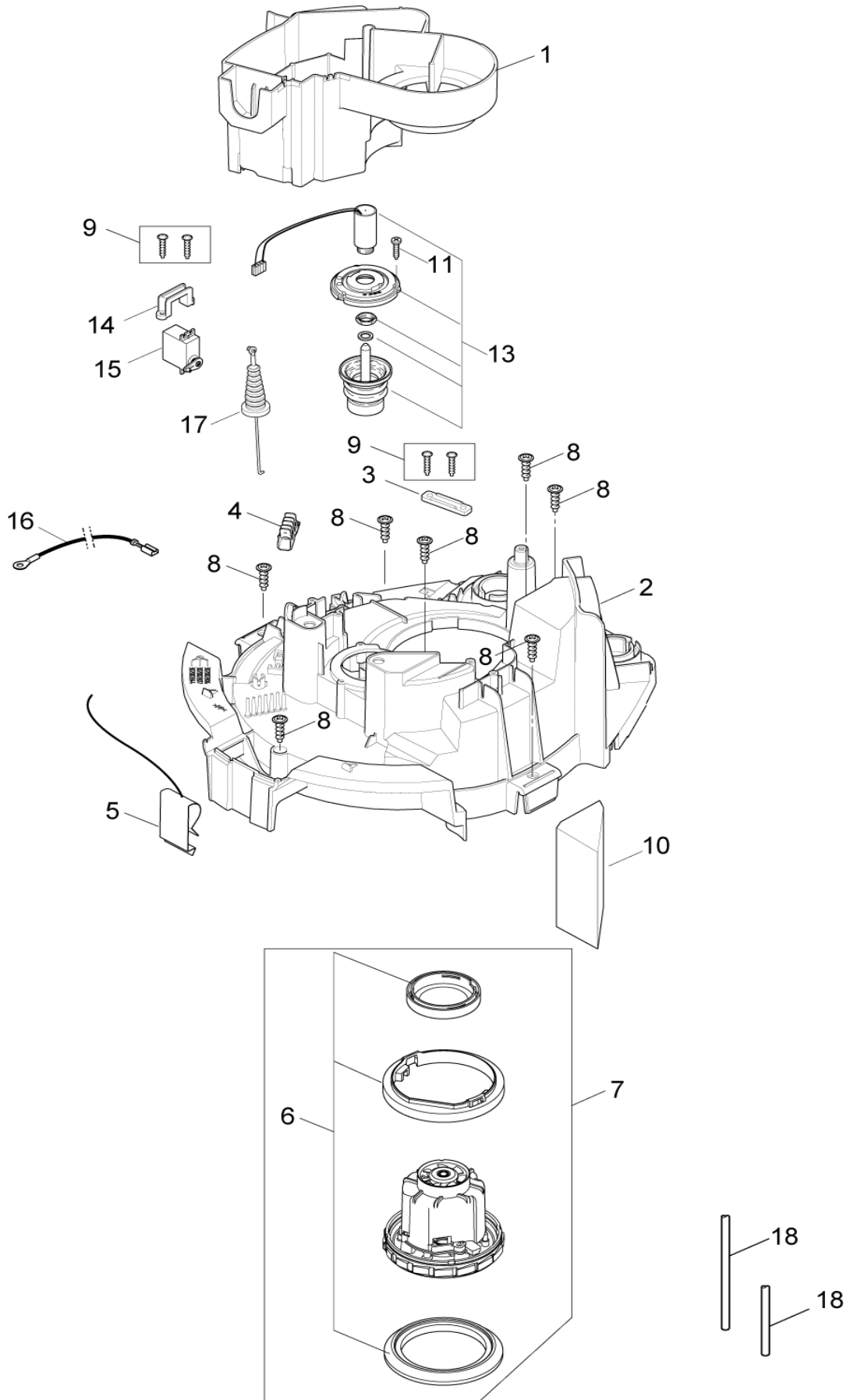
# Motor XC

ATTIX 30 PC and XC

07-12-2009

ET-Liste-Nr.  
ATTIX3007

14



# Motor XC

## ATTIX 30 PC and XC

07-12-2009

ET-Liste-Nr.  
ATTIX3007

15

Pos	Artikelnr.	Me Beschreibung	EAN
1	302004015	1 LUFTFÜHRUNG * See note	4005337147
2	107400287	1 CLAMPINGPLATE XC	4005337153
3	302004030	1 KABELBINDER	4005337147
4	302004031	1 DISTRIBUTIONS STRIP 6-POL 16A	4005337147
5	302004023	1 KONTAKTFEDER	4005337147
6	302003385	1 DICHTUNGSET "R"	4005337136
7	302003384	1 TURBINE 1200W 230 V ATTIX 30, 40, 50 UND 9	4005337136
7	302004006	1 MOTOR 1200W/100V JP W.GAS KET	4005337147
8	302004029	1 SCHRAUBE 5X18	4005337147
9	302004032	1 SCHRAUBE 3.5X18	4005337147
10	302004045	1 GERÄUSCHDÄMMUNG ABLUFT	4005337148
11	302003319	3 SCHRAUBEN SET	4005337140
13	107400291	1 MAGNET 230V	4005337153
13	107400292	1 MAGNET 110V	4005337153
14	107400289	1 SERVO BRACKET	4005337153
15	107400290	1 SERVO FOR XC	4005337153
16	107400262	1 WIRE 1X200 YELLOW/GREEN	4005337153
17	107400276	1 SERVO WIRE XC	4005337153
18	107400309	2 HOSE D3X1.5 TURBINE SIDE XC	7319519675

\* Note: During service or repair of vacuum head always change Airguide 302004015 and Cover for air circuit 107401051



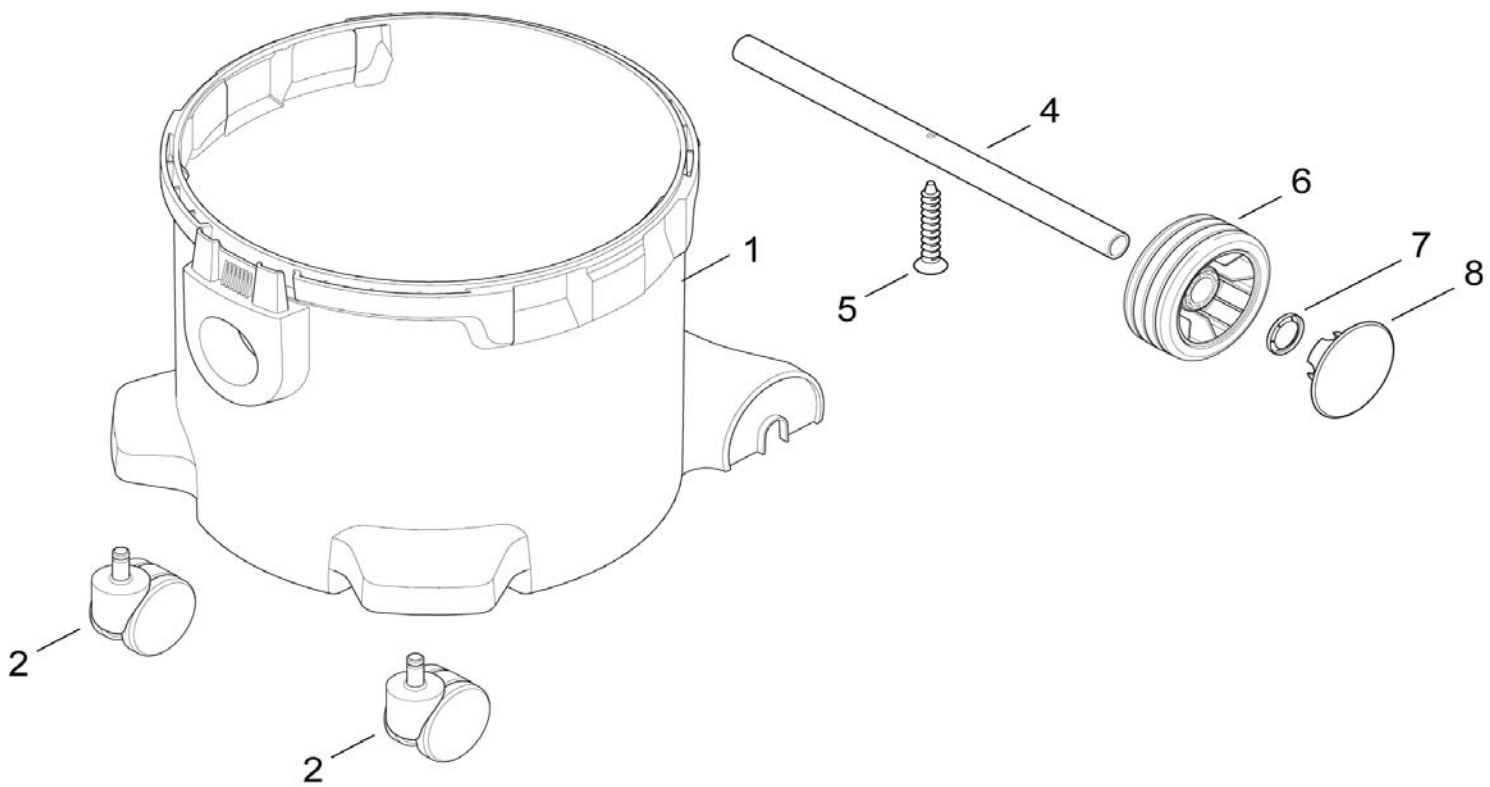
# Container ATTIX 30

ATTIX 30 PC and XC

07-12-2009

ET-Liste-Nr.  
ATTIX3008

16



# Container ATTIX 30

ATTIX 30 PC and XC

07-12-2009

ET-Liste-Nr.  
ATTIX3008

17

Pos	Artikelnr.	Me	Beschreibung	EAN
1	107400304	1	CONTAINER WITH FITTING ATTIX 30 * SEE NOTE	7319519674
2	46298	2	LENKROLLE 60	4005337462
4	302004022	1	RADACHSE	4005337147
5	107400063	1	SCHRAUBE 5X35	4005337148
6	302000465	2	RAD 100X20	4005337682
7	47302	2	KLEMMRING 28,6/ 20X1,3	4005337473
8	302000681	2	RADKAPPE	4005337690

\* NOTE TSB Vac-092 clamp and container

For machines produced before serial number 09110030030 use Container upgrade kit 107400311

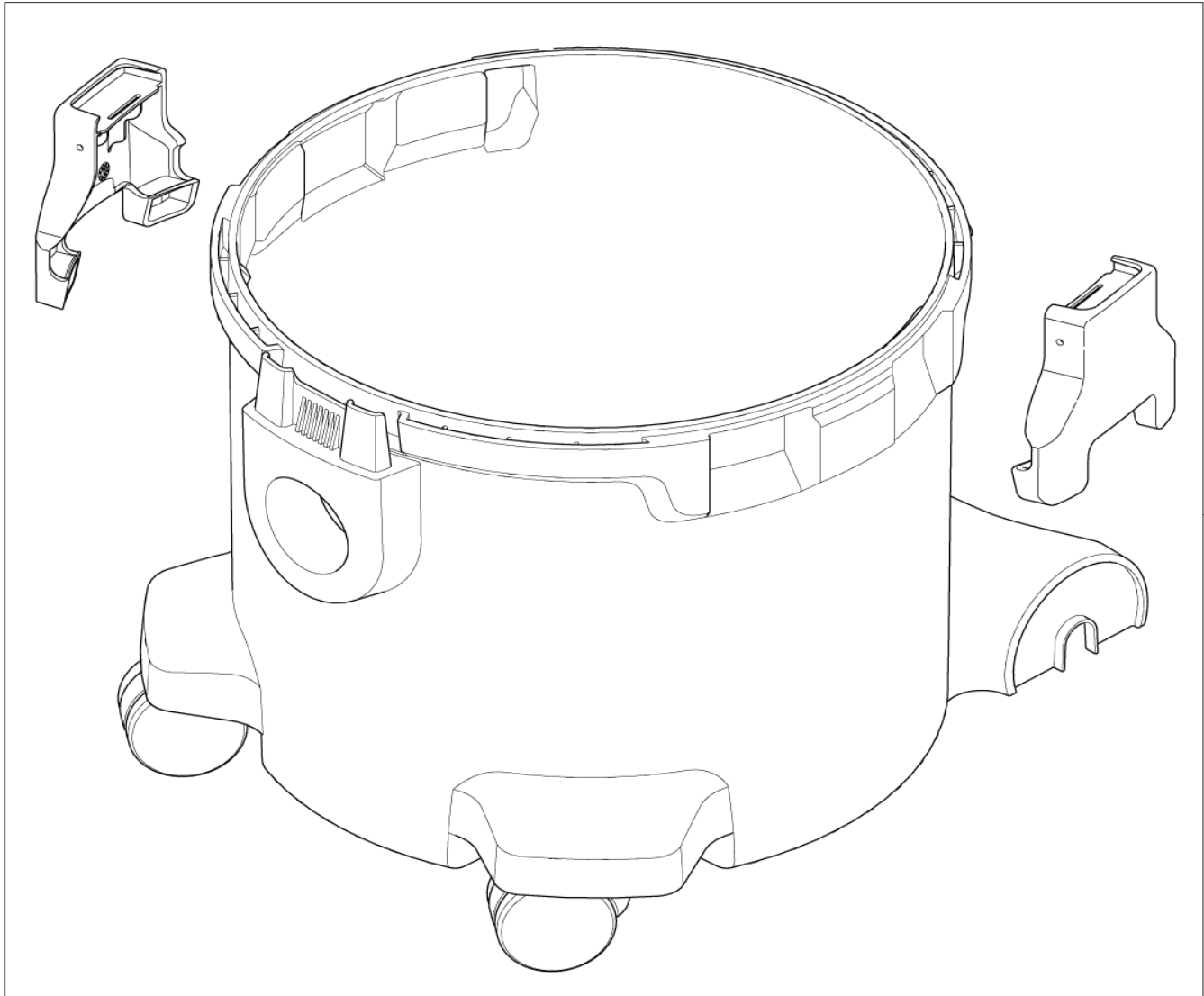
# Container upgrade kit, ATTIX 30

ATTIX 30 PC and XC

07-12-2009

ET-Liste-Nr.  
ATTIX30HM20

18



# Container upgrade kit, ATTIX 30

ATTIX 30 PC and XC

07-12-2009

ET-Liste-Nr.  
ATTIX30HM20

19

Pos	Artikelnr.	Me	Beschreibung	EAN
1	107400311	1	CONTAINER KIT ATTIX 30	7319519675

# Zubehör/ Sonstiges

ATTIX 30 PC and XC

07-12-2009

ET-Liste-Nr. ATTIX3010

20

Keine Zeichnung zur ET-Liste

# Zubehör/ Sonstiges

ATTIX 30 PC and XC

07-12-2009

ET-Liste-Nr.

ATTIX3010

21

Pos	Artikelnr.	Me Beschreibung	EAN
-	107400032	1 VERLÄNGERUNGSRÖHR ALU 2 STÜCK ... 36X500 MM	4005337147
-	14295	1 UNIVERSALDÜSE 36 MM	4005337142
-	15325	1 SAUGSCHLAUCH 27X3500 KPL.	4005337153
-	15546	1 SAUGROHR D36X505 VA SET2	4005337155
-	302000473	1 SAUGSCHLAUCH 32X3000 M. MUFFE U.HANDROHR	4005337682
-	302000477	1 BODENDÜSE D36X260	4005337682
-	302000490	1 FILTERELEMENT "L+M" D 1 85X140 (ERS. F.302000461)	4005337682
-	302000529	1 SAUGROHR D36X505 SET 2 STÜCK VERCHROMT	4005337021
-	302003666	1 BODENDÜSE 36 X 400 MM	4005337144
-	302004000	1 VLIES FILTERSACK VPE 5 ATTIX 30	4005337144
-	46691	1 HANDROHR GEBOGEN D36 VA	4005337466
-	46948	1 SAUGSCHLAUCH 36X3000 KP	4005337469
-	5146	1 SAUGBÜRSTE D36	4005337051
-	6084	1 FUGENDÜSE D35X300 MM	4005337060
-	6086	1 BÜRSTENDÜSE D36X230	4005337060
-	60916	1 WERKZEUGMUFFE 27/35/38	4005337609
-	7270	1 WASSERSAUGDÜSE D36 300MM	4005337072
	107400079	1 AIRBOX 230V 50 HZ EU	7319519671
	107400453	1 FILTER FOR MOTOR COOLING 30/40/50	
	302000528	1 HANDROHR GEBOGEN D36 MIT QUICKSYSTEM VERCHROMT	4005337683
	302003717	1 BLASADAPTER	4005337144
	302003721	1 FILTER F. MOTORKÜHLUNG	4005337159
0	302003796	1 ERSATZ-BÜRSTENLEISTE, 2 STÜCK	For floor nozzle 302003666 5715492039
0	302003797	1 ERSATZ-GUMMILIPPEN, 2 STÜCK	For floor nozzle 302003666 5715492039