

# STEAMTEC 312, 520, 51H

---

Model:

STEAMTEC 312

STEAMTEC 5 IH

STEAMTEC 520



Part List US-English

21-07-2012

# Nilfisk

[www.nilfisk.com](http://www.nilfisk.com)

# Table of Contents

STEAMTEC 312, 520, 51H

|  |           |
|--|-----------|
| <b>STEAMTEC 312</b>                          | <b>3</b>  |
| <b>STEAMTEC 520 base</b>                     | <b>5</b>  |
| <b>STEAMTEC 520 cover</b>                    | <b>7</b>  |
| <b>STEAMTEC 51H base</b>                     | <b>9</b>  |
| <b>STEAMTEC 51H cover</b>                    | <b>11</b> |
| <b>Accessories</b>                           | <b>13</b> |
| <b>Steam ironing station</b>                 | <b>15</b> |
| <b>Steam ironing cover</b>                   | <b>17</b> |
| <b>Steam ironing board version 2009 June</b> | <b>19</b> |

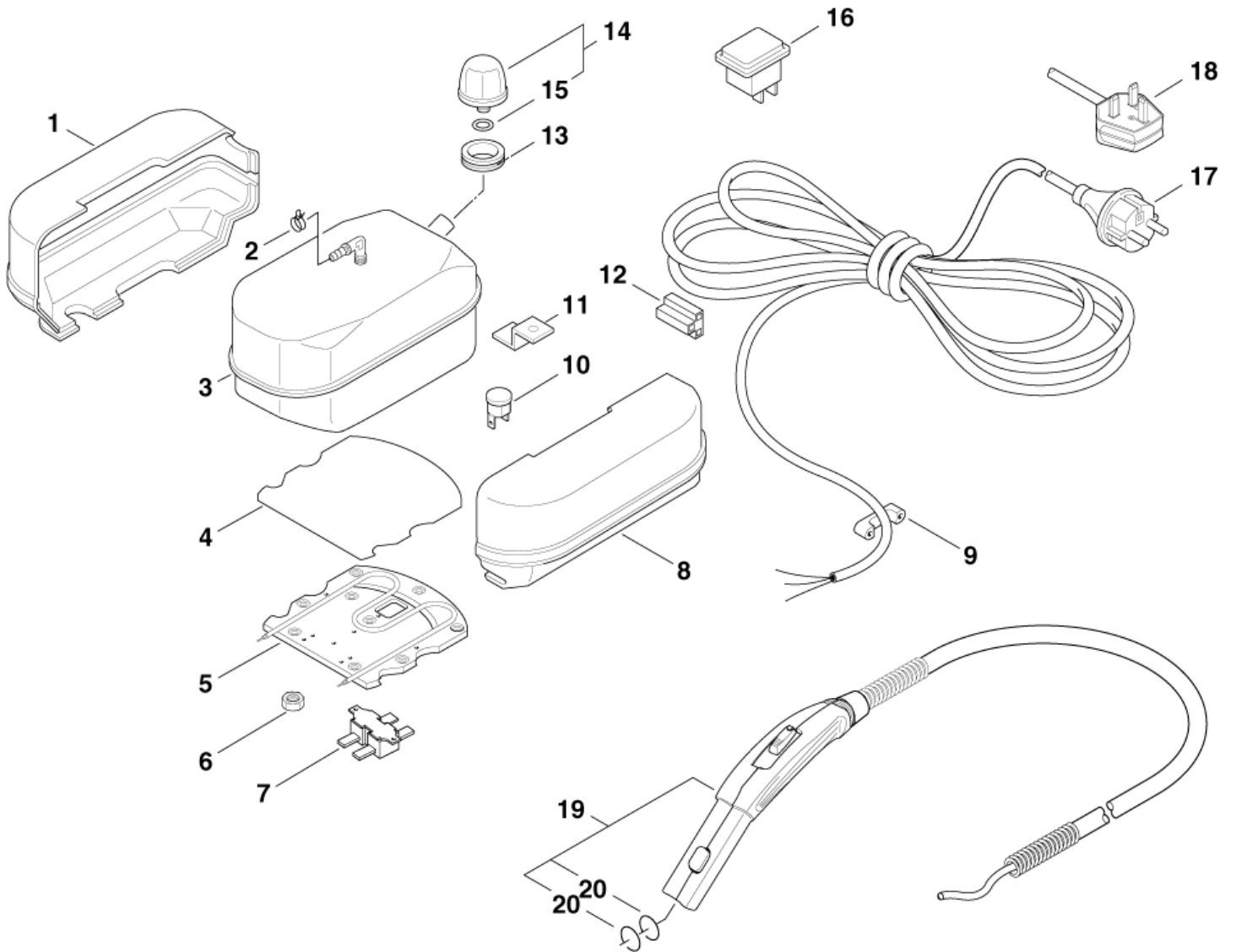
# STEAMTEC 312

STEAMTEC 312, 520, 51H

21-07-2012

Part List ID  
STEAMTEC02

3



# STEAMTEC 312

## STEAMTEC 312, 520, 51H

21-07-2012

Part List ID  
STEAMTEC02

4

| Pos | Part no.  | Qty | Description                        |
|-----|-----------|-----|------------------------------------|
| 0   | 10000101  | 1   | PACKAGING STEAMTEC 312             |
| 0   | 31000271  | 1   | CARDBOARD BOX STEAMTEC 312 DK      |
| 1   | 303000473 | 1   | INSULATION RIGHT                   |
| 2   | 303000457 | 1   | HOSE CLIP Ø 9.5-11                 |
| 3   | 303000471 | 1   | TANK 1.2L                          |
| 4   | 303000461 | 1   | GASKET 150X60X0.5                  |
| 5   | 303000462 | 1   | HEATER 230V 1560W                  |
| 6   | 1804285   | 8   | LOCK NUT M5                        |
| 7   | 303000445 | 1   | THERMAL CUT-OUT 180C               |
| 8   | 303000472 | 1   | INSULATION LEFT                    |
| 9   | 303000463 | 1   | STRAP 21X8X6                       |
| 10  | 303000460 | 1   | THERMO SWITCH 150C                 |
| 11  | 303000451 | 1   | BRACKET 36X12X5                    |
| 12  | 303000470 | 1   | CONNECTOR HOUSING 3-POL.           |
| 13  | 303000447 | 1   | GASKET Ø 34X Ø 20X12               |
| 14  | 303000458 | 1   | SAFETY CAP 5.5BAR                  |
| 15  | 3756      | 1   | O-RING 14.0x2.5 DIN 3770 NBR70     |
| 16  | 303000450 | 1   | MAIN SWITCH 16A 250V               |
| 17  | 303000464 | 1   | POWER CORD H05VV-F 3X1X4 *EU*      |
| 17  | 303000466 | 1   | POWER CORD H05VV-F 3X1X4 *DK*      |
| 18  | 303000465 | 1   | POWER CORD H05VV-F 3X1X4 *GB,230V* |
| 19  | 303000437 | 1   | STEAM HOSE                         |
| 20  | 12960     | 2   | O-RING 7.65X1.78 NBR90             |

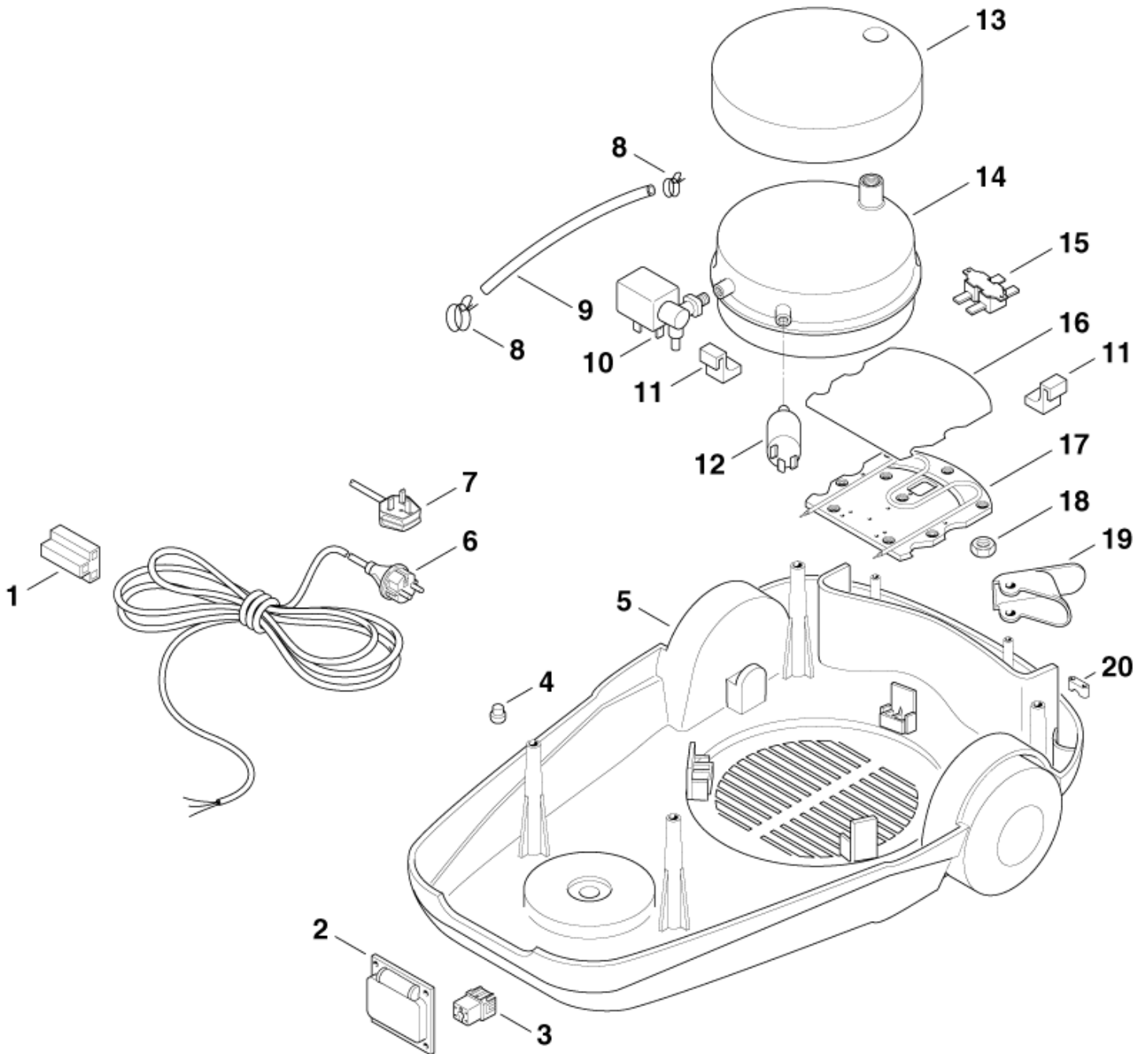
# STEAMTEC 520 base

STEAMTEC 312, 520, 51H

21-07-2012

Part List ID  
STEAMTEC04

5



# STEAMTEC 520 base

STEAMTEC 312, 520, 51H

21-07-2012

Part List ID  
STEAMTEC04

6

| Pos | Part no.  | Qty | Description                        |
|-----|-----------|-----|------------------------------------|
| 0   | 10000102  | 1   | PACKAGING STEAMTEC 520             |
| 1   | 303000470 | 1   | CONNECTOR HOUSING 3-POL.           |
| 2   | 303000444 | 1   | COVER FOR SOCKET                   |
| 3   | 303000446 | 1   | SOCKET                             |
| 4   | 303000448 | 2   | DISTANCE PIECE Ø 8X4X16            |
| 5   | 303000478 | 1   | BASE                               |
| 6   | 303000464 | 1   | POWER CORD H05VV-F 3X1X4 *EU*      |
| 6   | 303000466 | 1   | POWER CORD H05VV-F 3X1X4 *DK*      |
| 7   | 303000465 | 1   | POWER CORD H05VV-F 3X1X4 *GB,230V* |
| 8   | 2404      | 2   | HOSE CLAMP Ø 12X9                  |
| 9   | 303000443 | 1   | HOSE Ø 4.5X190                     |
| 10  | 303000484 | 1   | SOLENOID VALVE Ø 5-R1/8            |
| 11  | 303000479 | 3   | BRACKET 22X22X20                   |
| 12  | 303000476 | 1   | PRESSURE SWITCH 3.8BAR             |
| 13  | 303000438 | 1   | ISOLATION Ø 195X45                 |
| 14  | 303000442 | 1   | TANK 1.5L                          |
| 15  | 303000487 | 1   | THERMAL CUT-OUT 180C               |
| 16  | 303000441 | 1   | GASKET 135X123X0.5                 |
| 17  | 303000440 | 1   | HEATER 230V 1450W                  |
| 18  | 1804285   | 10  | LOCK NUT M5                        |
| 19  | 303000482 | 2   | BRACKET 76X39X21                   |
| 20  | 303000463 | 1   | STRAP 21X8X6                       |

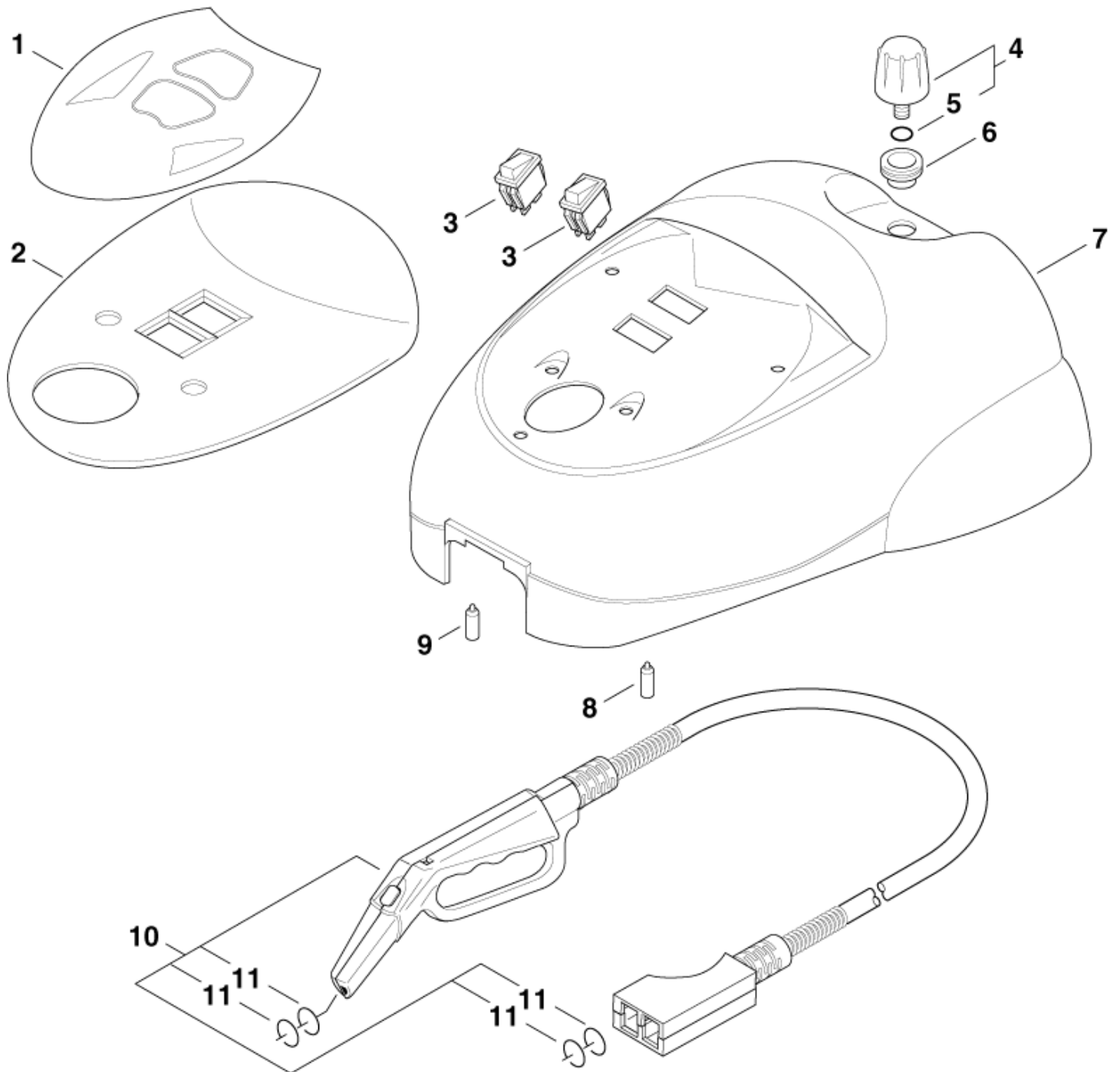
# STEAMTEC 520 cover

STEAMTEC 312, 520, 51H

21-07-2012

Part List ID  
STEAMTEC06

7



# STEAMTEC 520 cover

STEAMTEC 312, 520, 51H

21-07-2012

Part List ID  
STEAMTEC06

8

| Pos | Part no.  | Qty | Description                    |
|-----|-----------|-----|--------------------------------|
| 1   | 303000483 | 1   | LABEL                          |
| 2   | 303000436 | 1   | COVER 207X158X34               |
| 3   | 303000477 | 2   | MAIN SWITCH 16A 250V           |
| 4   | 303000458 | 1   | SAFETY CAP 5.5BAR              |
| 5   | 3756      | 1   | O-RING 14.0x2.5 DIN 3770 NBR70 |
| 6   | 303000447 | 1   | GASKET Ø 34X Ø 20X12           |
| 7   | 303000480 | 1   | COVER STEAMTEC 520             |
| 8   | 303000439 | 1   | INDICATOR LAMP 230V -GR        |
| 9   | 303000469 | 1   | INDICATOR LAMP 230V -WH        |
| 10  | 303000488 | 1   | STEAM HOSE                     |
| 11  | 12960     | 4   | O-RING 7.65X1.78 NBR90         |



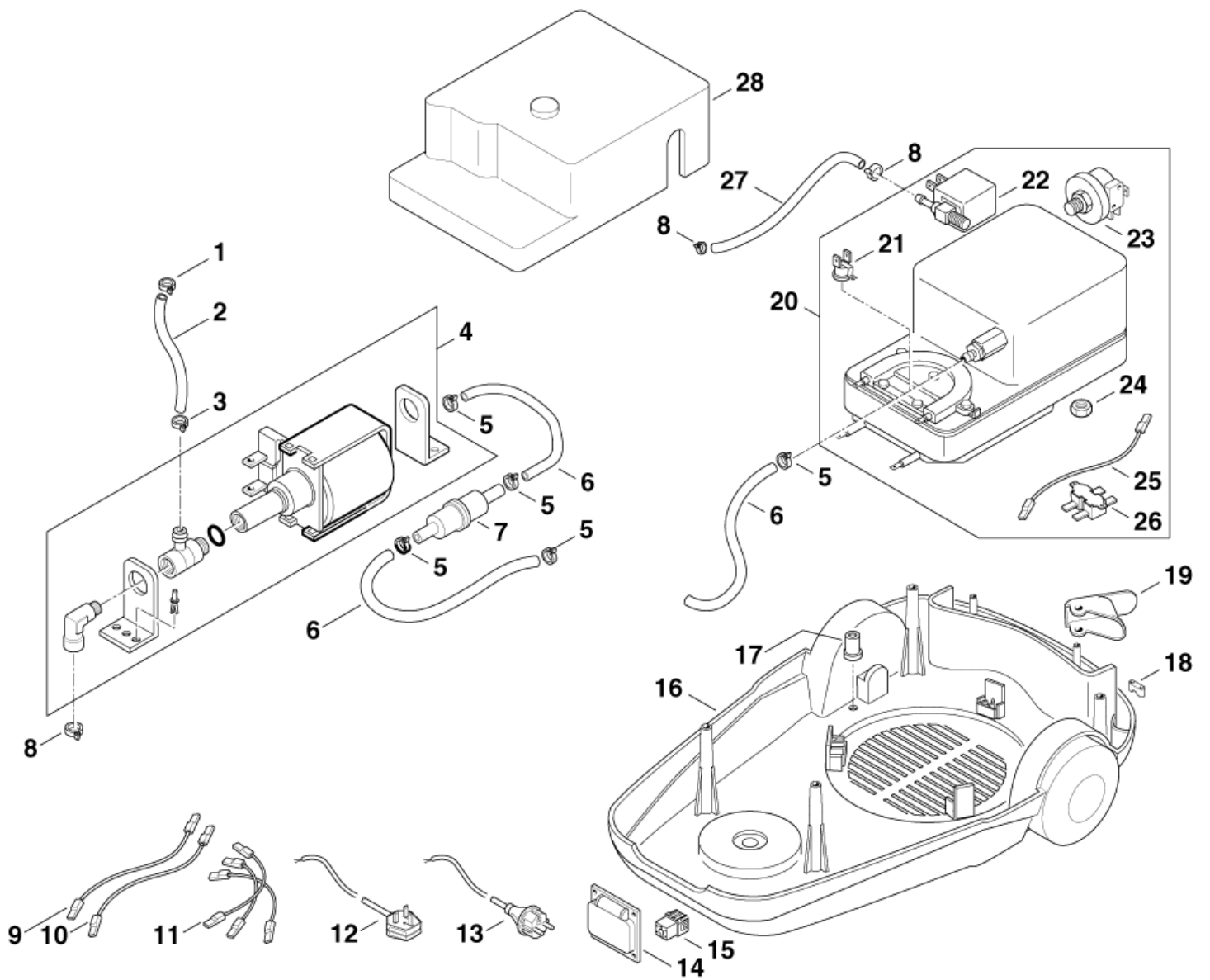
# STEAMTEC 51H base

STEAMTEC 312, 520, 51H

21-07-2012

Part List ID  
STEAMTEC08

9



# STEAMTEC 51H base

STEAMTEC 312, 520, 51H

21-07-2012

Part List ID  
STEAMTEC08

10

| Pos | Part no.  | Qty | Description                        |
|-----|-----------|-----|------------------------------------|
| 0   | 10000103  | 1   | PACKAGING STEAMTEC 5 IH            |
| 0   | 31000272  | 1   | CARDBOARD BOX STEAMTEC 51H GB      |
| 1   | 303000500 | 1   | WIRE HOSE CLAMP Ø 9                |
| 2   | 303000493 | 1   | HOSE Ø 4X2X190                     |
| 3   | 11860     | 1   | HOSE CLIP Ø 9-11                   |
| 4   | 303000494 | 1   | PUMP                               |
| 5   | 2404      | 5   | HOSE CLAMP Ø 12X9                  |
| 6   | 303000490 | 3   | HOSE Ø 5X2.5X155                   |
| 7   | 303000481 | 1   | FILTER                             |
| 8   | 303000457 | 3   | HOSE CLIP Ø 9.5-11                 |
| 9   | 303000498 | 1   | CABLE 1X150 - BLUE                 |
| 10  | 303000499 | 1   | CABLE 1X200 - BROWN                |
| 11  | 303000497 | 1   | CABLE 8X1.0MM                      |
| 12  | 303000465 | 1   | POWER CORD H05VV-F 3X1X4 *GB,230V* |
| 13  | 303000464 | 1   | POWER CORD H05VV-F 3X1X4 *EU*      |
| 13  | 303000466 | 1   | POWER CORD H05VV-F 3X1X4 *DK*      |
| 14  | 303000444 | 1   | COVER FOR SOCKET                   |
| 15  | 303000446 | 1   | SOCKET                             |
| 16  | 303000478 | 1   | BASE                               |
| 17  | 303000486 | 4   | DISTANCE PIECE Ø 18X20             |
| 18  | 303000463 | 1   | STRAP 21X8X6                       |
| 19  | 303000482 | 2   | BRACKET 76X39X21                   |
| 20  | 303000495 | 1   | TANK KIT                           |
| 21  | 303000459 | 1   | THERMO SWITCH 160C                 |
| 22  | 303000484 | 1   | SOLENOID VALVE Ø 5-R1/8            |
| 23  | 303000456 | 1   | PRESSURE SWITCH 3.0BAR             |
| 24  | 1804285   | 13  | LOCK NUT M5                        |
| 25  | 303000485 | 1   | THERMAL CUT-OUT 240C               |
| 26  | 303000487 | 1   | THERMAL CUT-OUT 180C               |
| 27  | 303000496 | 1   | HOSE Ø 4.5X320                     |
| 28  | 303000501 | 1   | ISOLATION UPPER                    |

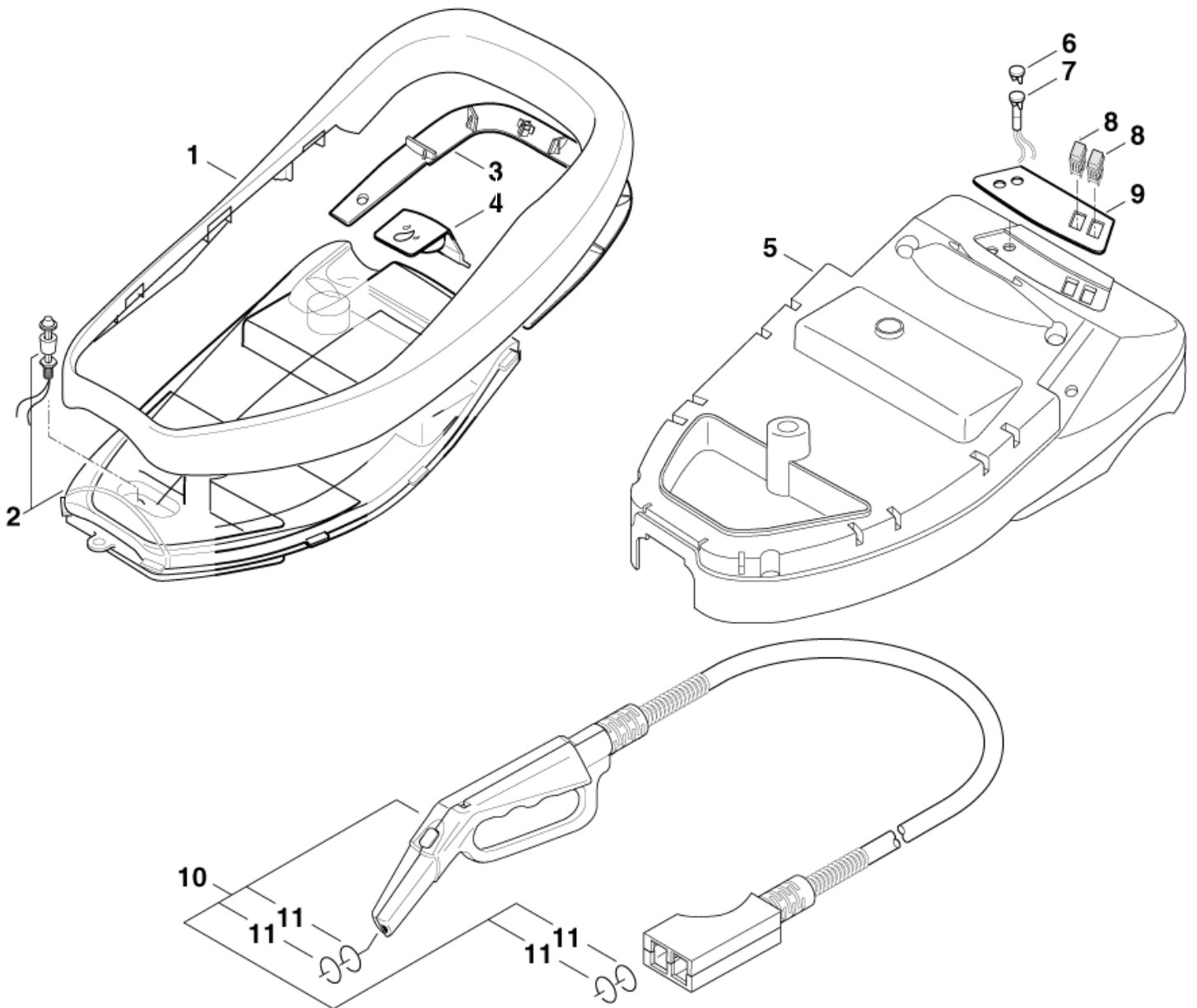
# STEAMTEC 51H cover

STEAMTEC 312, 520, 51H

21-07-2012

Part List ID  
STEAMTEC10

11



# STEAMTEC 51H cover

STEAMTEC 312, 520, 51H

21-07-2012

Part List ID  
STEAMTEC10

12

| Pos | Part no.  | Qty | Description             |
|-----|-----------|-----|-------------------------|
| 1   | 303000455 | 1   | HANDLE                  |
| 2   | 303000452 | 1   | TANK 1.35L              |
| 3   | 303000454 | 1   | COVER 240x175x13        |
| 4   | 303000453 | 1   | COVER 65X65X26          |
| 5   | 303000449 | 1   | COVER - BLUE            |
| 6   | 303000474 | 1   | BRACKET                 |
| 7   | 303000475 | 1   | INDICATOR LAMP 110-240V |
| 8   | 303000450 | 2   | MAIN SWITCH 16A 250V    |
| 9   | 303000468 | 1   | LABEL                   |
| 10  | 303000488 | 1   | STEAM HOSE              |
| 11  | 12960     | 4   | O-RING 7.65X1.78 NBR90  |

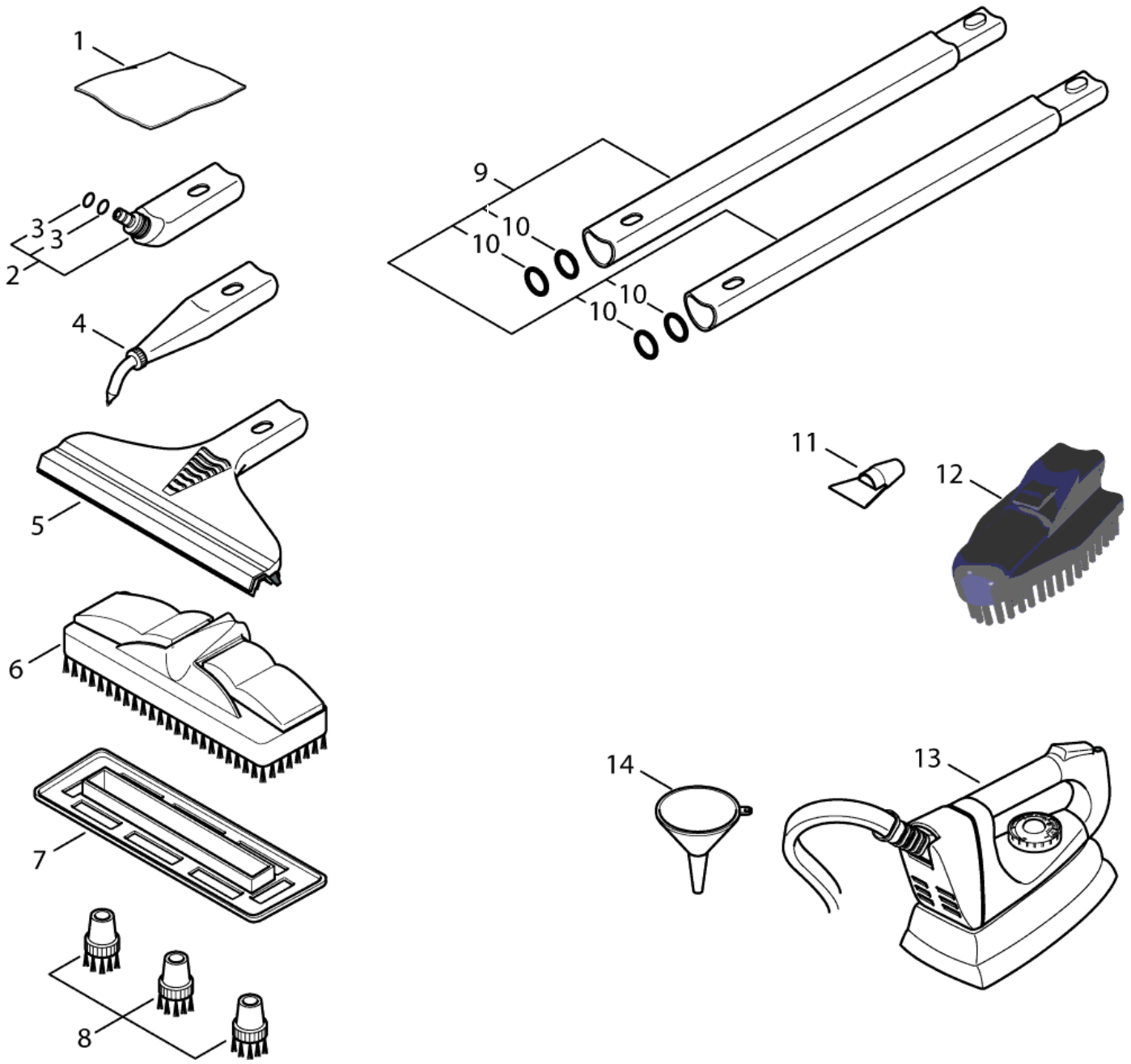
# Accessories

STEAMTEC 312, 520, 51H

21-07-2012

Part List ID  
STEAMTEC12

13



# Accessories

STEAMTEC 312, 520, 51H

21-07-2012

Part List ID  
STEAMTEC12

14

| Pos | Part no.  | Qty | Description                          |  |
|-----|-----------|-----|--------------------------------------|--|
| 0   | 303000519 | 1   | CLOTH ACTIVE FIBRE                   | Optional microfibre cloth for floor tool |
| 1   | 303000423 | 1   | FLOOR CLOTH 470X450X5                |  |
| 2   | 303000424 | 1   | ADAPTER 130X55X37                    |  |
| 3   | 9154      | 2   | O-RING 10.82x1.78 ARP AS 568 A NBR70 |  |
| 4   | 303000429 | 1   | DETAIL NOZZLE                        |  |
| 5   | 303000426 | 1   | WINDOW NOZZLE                        |  |
| 6   | 303000419 | 1   | FLOOR BRUSH                          |  |
| 7   | 303000425 | 1   | CARPET NOZZLE                        | OPTION                                   |
| 8   | 303000420 | 1   | BRUSH KIT Ø 23                       | OPTION                                   |
| 9   | 303000422 | 1   | EXTENSION TUBES 2X                   |  |
| 10  | 12960     | 4   | O-RING 7.65X1.78 NBR90               |  |
| 11  | 303000430 | 1   | SCRAPER                              | OPTION                                   |
| 12  | 303000427 | 1   | CORNER BRUSH                         | OPTION                                   |
| 13  | 303000407 | 1   | STEAM IRON 230/1/50                  | STEAMTEC 520, OPTION STEAMTEC 51H        |
| 14  | 303000428 | 1   | FUNNEL                               |  |

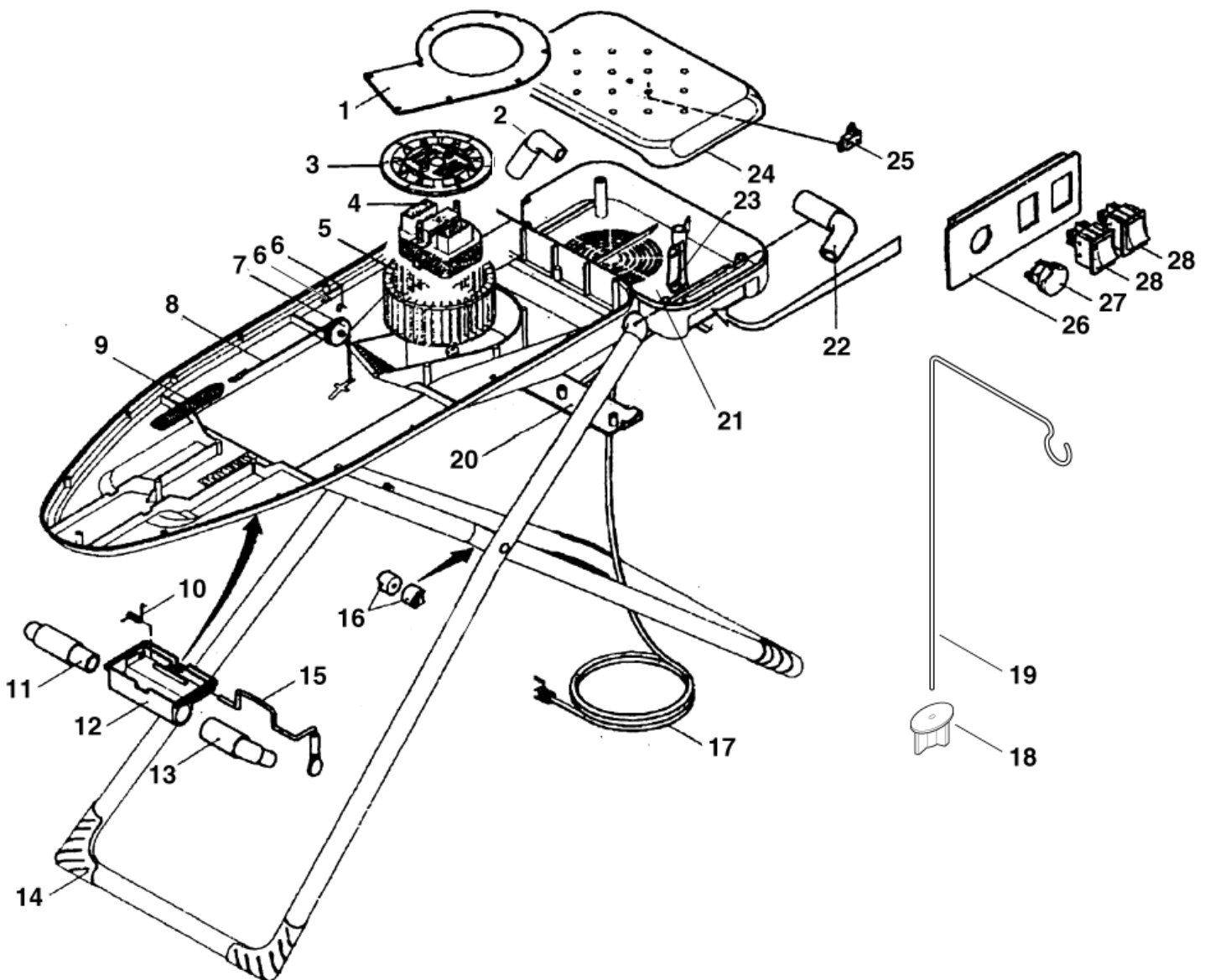
# Steam ironing station

STEAMTEC 312, 520, 51H

21-07-2012

Part List ID  
STEAMTEC14

15



# Steam ironing station

STEAMTEC 312, 520, 51H

21-07-2012

Part List ID  
STEAMTEC14

16

| Pos | Part no.  | Qty | Description                   |                      |
|-----|-----------|-----|-------------------------------|----------------------|
| 0   | 31000200  | 1   | STEAMTEC IRON BOARD           | All shown on drawing |
| 1   | 67007     | 1   | COVER                         |                      |
| 2   | 67044     | 1   | ARTICULATED HANDLEBAR REAR RI |                      |
| 3   | 65406     | 1   | COVER Ø 190X27                |                      |
| 4   | 65405     | 1   | MOTOR 110W/230V               |                      |
| 5   | 65404     | 1   | COOLING FAN Ø 142X60          |                      |
| 6   | 67013     | 2   | RETAINING CLAMP               |                      |
| 7   | 67028     | 1   | CASTOR Ø 48X16                |                      |
| 8   | 67027     | 1   | ROPE Ø 0.8X420                |                      |
| 9   | 65409     | 1   | TENSION SPRING 2.5X25X25      |                      |
| 10  | 65408     | 1   | SPRING 40X33X10               |                      |
| 11  | 67043     | 1   | ARTICULATED HANDLEBAR REAR LE |                      |
| 12  | 65402     | 1   | HOUSING                       |                      |
| 13  | 65400     | 1   | ARTICULATED HANDLEBAR FRONT L |                      |
| 14  | 67042     | 4   | COVERING - BLUE               |                      |
| 15  | 65403     | 1   | LEVER                         |                      |
| 16  | 67041     | 2   | DISTANCE PIECE KIT            |                      |
| 17  | 28879     | 1   | POWER CORD H05VV-F 3G1.5      |                      |
| 18  | 303000302 | 1   | BRACKET 47X29X29              |                      |
| 19  | 303000303 | 1   | BRACKET 475X111X4             |                      |
| 20  | 67039     | 1   | COVER                         |                      |
| 21  | 64764     | 1   | SCREENING UNIT 0.47 F/275     |                      |
| 22  | 65401     | 1   | ARTICULATED HANDLEBAR FRONT R |                      |
| 23  | 67003     | 1   | BUSHING CLAMP                 |                      |
| 24  | 67035     | 1   | COVER                         |                      |
| 25  | 65407     | 1   | MICROSWITCH 250V 12-3-A       |                      |
| 26  | 67040     | 1   | CONTROL PANEL                 |                      |
| 27  | 65410     | 1   | SOCKET 250AT 10-16A           |                      |
| 28  | 303000058 | 2   | SWITCH 10A 250VAC             |                      |



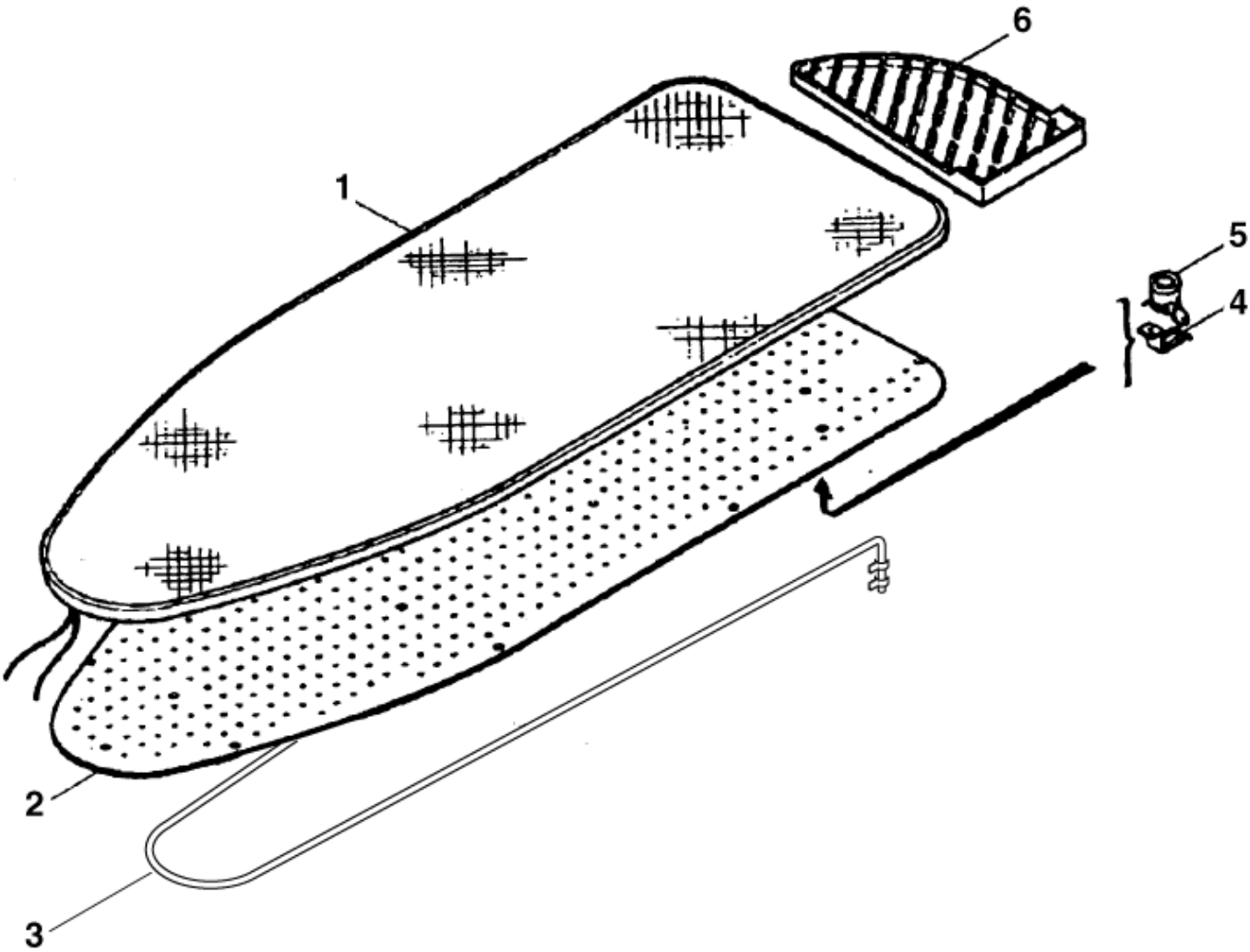
# Steam ironing cover

STEAMTEC 312, 520, 51H

21-07-2012

Part List ID  
STEAMTEC16

17



# Steam ironing cover

STEAMTEC 312, 520, 51H

21-07-2012

Part List ID  
STEAMTEC16

18

| Pos | Part no. | Qty | Description                |
|-----|----------|-----|----------------------------|
| 1   | 66025    | 1   | COVER                      |
| 2   | 67010    | 1   | IRONING BOARD              |
| 3   | 67011    | 1   | HEATER                     |
| 4   | 64765    | 1   | BRACKET                    |
| 5   | 67026    | 1   | SAFETY TEMPERATURE LIMITER |
| 6   | 67005    | 1   | IRON REST                  |

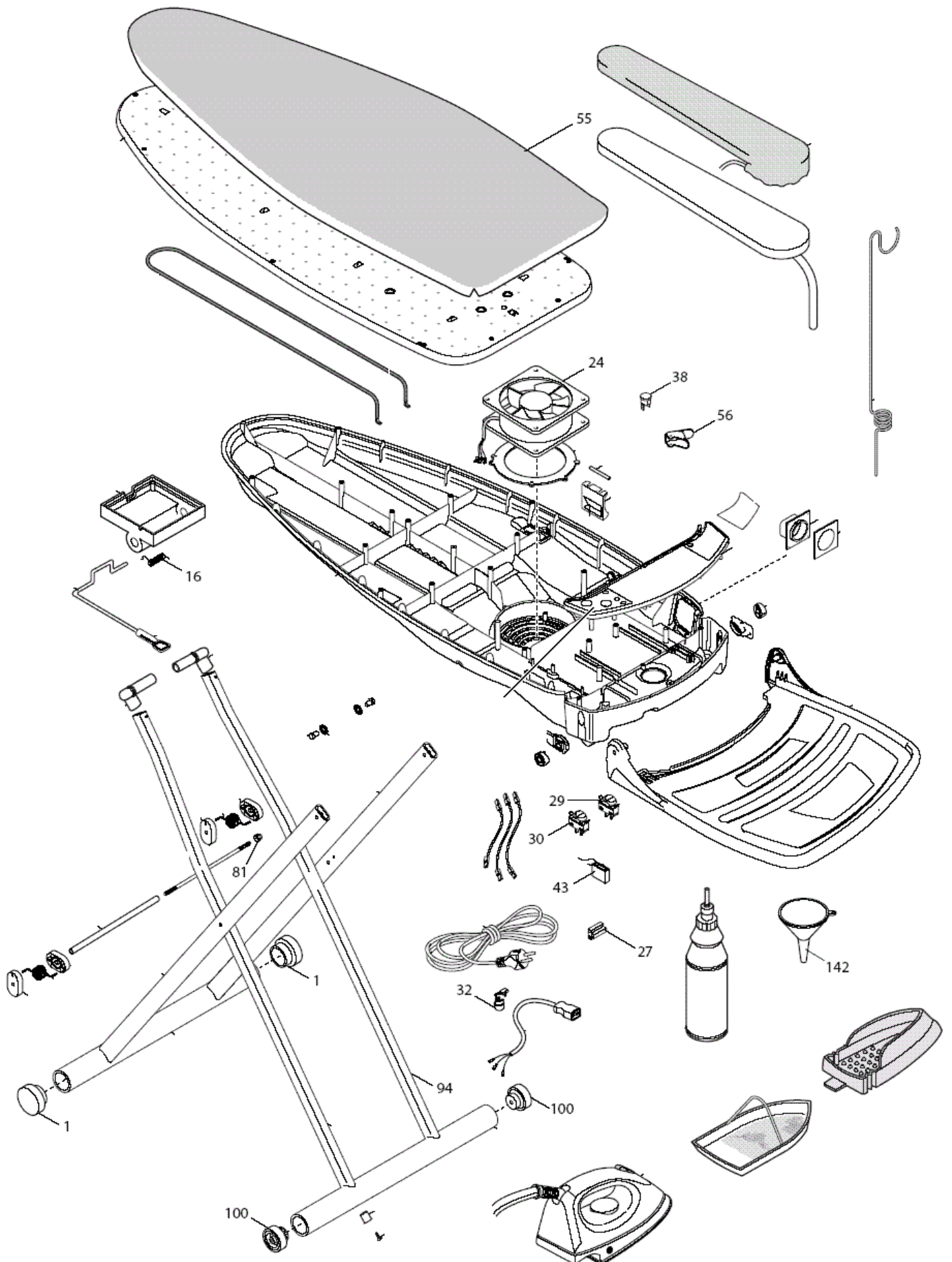
# Steam ironing board version 2009 June

STEAMTEC 312, 520, 51H

21-07-2012

Part List ID  
STEAMTEC18

19



# Steam ironing board version 2009 June

STEAMTEC 312, 520, 51H

21-07-2012

Part List ID  
STEAMTEC18

20

| Pos | Part no.  | Qty | Description                          |
|-----|-----------|-----|--------------------------------------|
| 0   | 31000200  | 1   | STEAMTEC IRON BOARD                  |
| 1   | 31000157  | 1   | ADJUSTABLE FEET SUPPORT D.40MM BLACK |
| 16  | 65408     | 1   | SPRING 40X33X10                      |
| 24  | 31000158  | 1   | MOTOR H.38 120x120 220/240V 50/60HZ  |
| 27  | 303000470 | 1   | CONNECTOR HOUSING 3-POL.             |
| 29  | 31000159  | 1   | UNIP. SWITCH UNIP.3P 8A 250V         |
| 30  | 31000160  | 1   | UNIP. SWITCH WITH RED LED SR-06NR-N  |
| 32  | 67003     | 1   | BUSHING CLAMP                        |
| 38  | 31000161  | 1   | THERMOSTAT T.80 WITH CLAMP FS        |
| 43  | 31000162  | 1   | CAPACITOR CX 0.47 UF PB 4.8          |
| 55  | 31000163  | 1   | IRON. BOARD CLOTH                    |
| 56  | 303000482 | 1   | BRACKET 76X39X21                     |
| 100 | 31000164  | 1   | WHEEL D 40 WITH RUBBER               |
| 142 | 303000428 | 1   | FUNNEL                               |