

SCRUBTEC 545B - 545BL - 553B - 553BL

Model:
SCRUBTEC 553



Part List English

27-11-2008

Nilfisk
ALTO
Why Compromise

www.nilfisk-alto.com

Table of Contents

SCRUBTEC 545B - 545BL - 553B - 553BL

General view 545B - 545BL - 553B - 553BL	3
Solution tank 545B - 545BL - 553B - 553BL	5
Recovery tank 545B - 545BL - 553B - 553BL	8
Chassis system	10
Wheels without traction (545B - 553B)	12
Wheels with traction (545BL - 553BL)	14
Handle assembly without traction (545B - 553B)	16
Handle assembly with traction (545 BL - 553 BL)	18
Solution system	20
Squeegee system	22
Brush system 545B	24
Brush system 545BL	26
Brush system 553B	28
Brush system 553BL	30
Accessories	32
Extra pressure kit (545B - 533B)	34
Splash guard 17" kit (545B - 545BL)	36
Splash guard 20" kit (553B - 553BL)	38
Control panel system	40
Electrical components (545B - 533B)	42
Electrical components (545BL - 533BL)	44
Battery charger accessory kit	46
Chemical mixing accessory kit	48
Recommended spare parts(545B - 545BL - 553B - 553BL)	50
Drive wheel system (Recommended spare parts)	52
Solution system (Recommended spare parts)	54
Electrical system (Recommended spare parts)	56

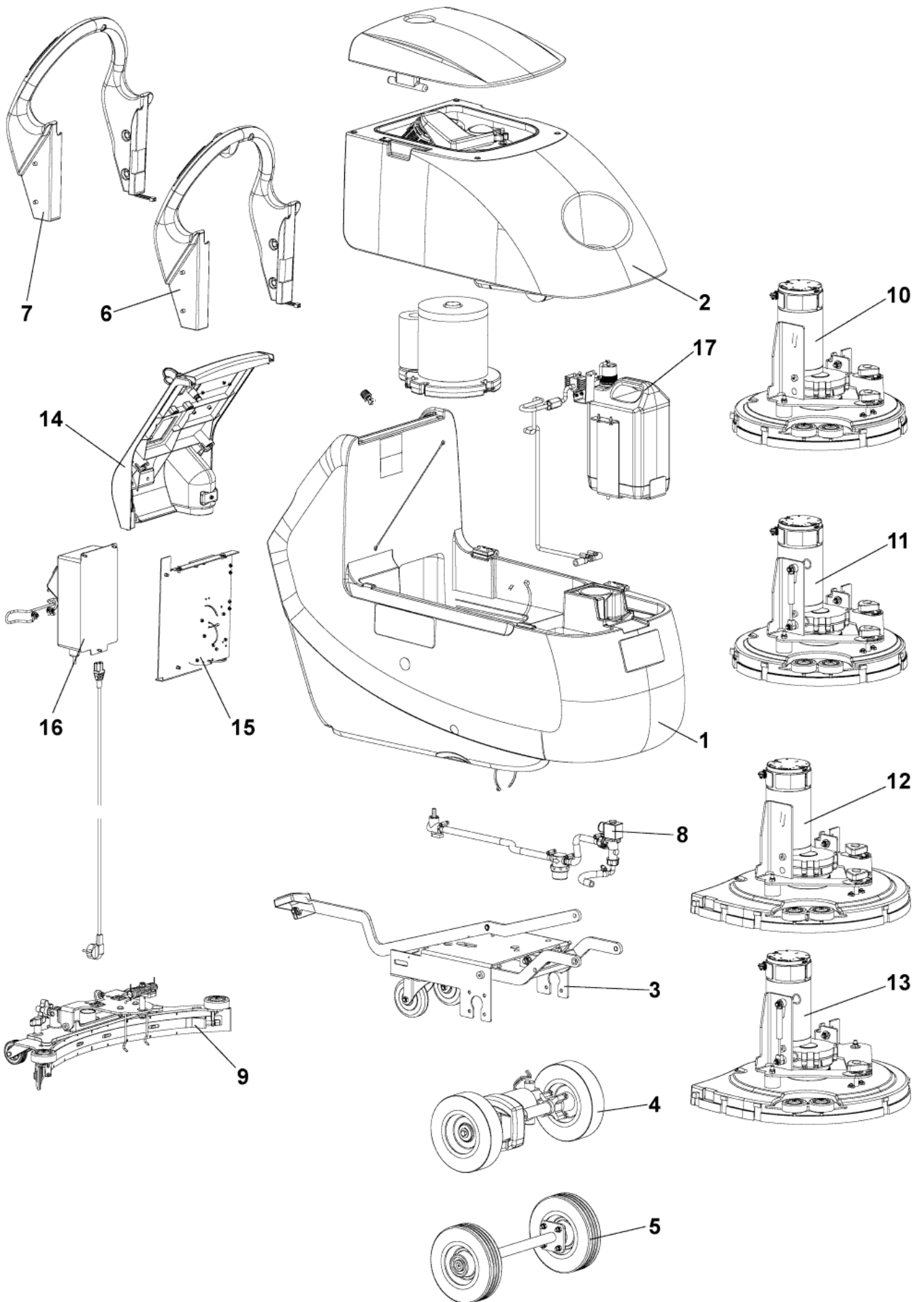
General view 545B - 545BL - 553B - 553BL

SCRUBTEC 545B - 545BL - 553B - 553BL

27-11-2008

Part List ID
SCRUBTEC545B01

3



General view 545B - 545BL - 553B - 553BL

SCRUBTEC 545B - 545BL - 553B - 553BL

27-11-2008

Part List ID
SCRUBTEC545B01

4

Pos	Part no.	Qty	Description	EAN
1		1	USE LINK	Solution Tank
2		1	USE LINK	Recovery Tank
3		1	USE LINK	Chassis System
4		1	USE LINK	Wheels And Traction 545BL - 553BL
5		1	USE LINK	Wheels System 545B - 553B
6		1	USE LINK	Handle Assembly 545BL - 553BL
7		1	USE LINK	Handle Assembly 545B - 553B
8		1	USE LINK	Solution System
9		1	USE LINK	Squeegee System
10		1	USE LINK	Brush System 545B
11		1	USE LINK	Brush System 545BL
12		1	USE LINK	Brush System 553B
13		1	USE LINK	Brush System 553BL
14		1	USE LINK	Control Panel System
15		1	USE LINK	Electrical Components
16		1	USE LINK	Battery Charger
17		1	USE LINK	Chemical Mixing System

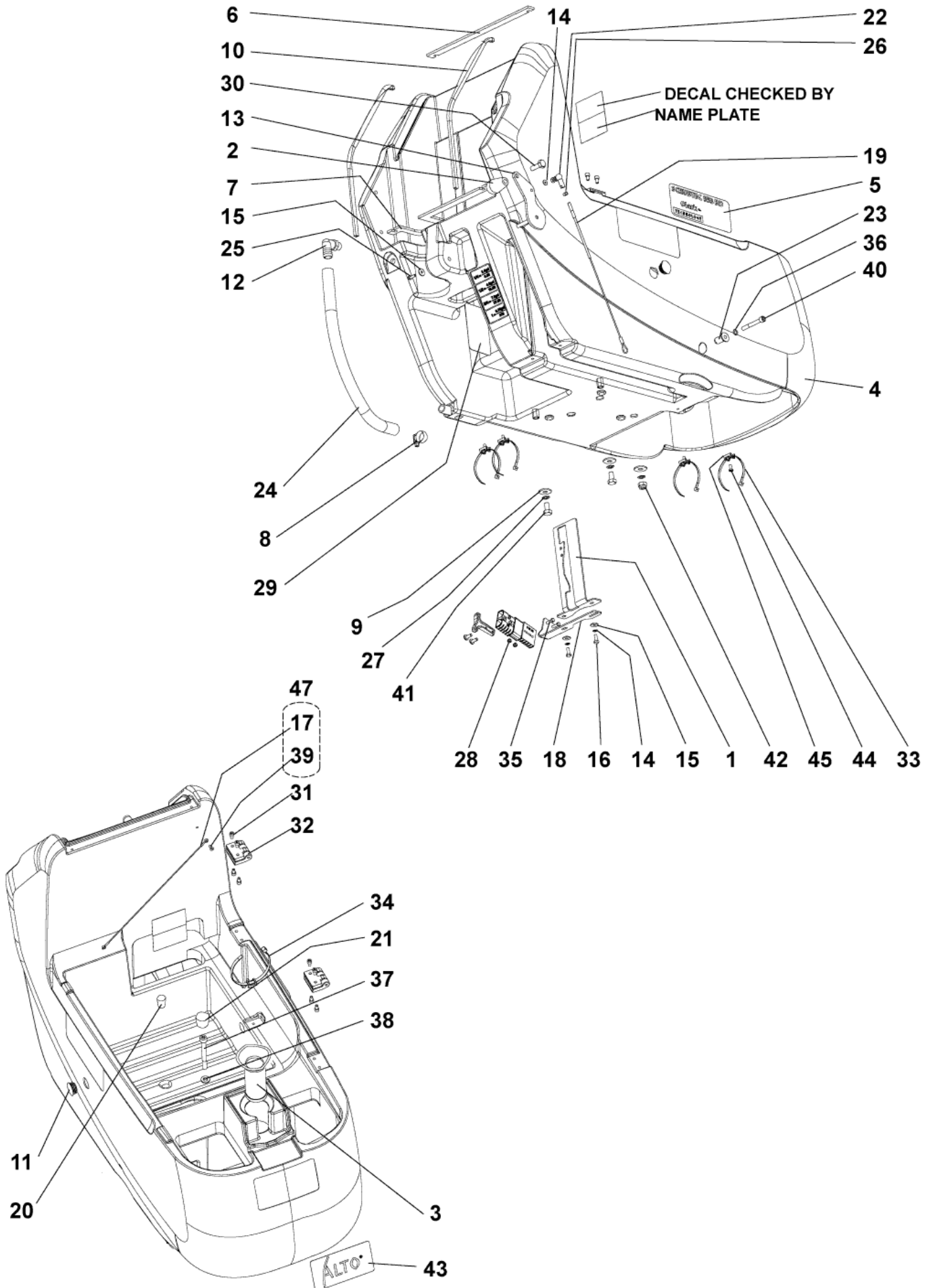
Solution tank 545B - 545BL - 553B - 553BL

27-11-2008

Part List ID
SCRUBTEC545B02

5

SCRUBTEC 545B - 545BL - 553B - 553BL



Solution tank 545B - 545BL - 553B - 553BL

27-11-2008

Part List ID
SCRUBTEC545B02

SCRUBTEC 545B - 545BL - 553B - 553BL

6

Pos	Part no.	Qty	Description	EAN
0	909 6875 000	1	HARDWARE TANK SYSTEM KIT	5711140130
1	909 6493 000	1	SUPPORT PEDAL	5711140128
2	909 6621 000	1	KNOB	5711140129
3	9097192000	1	FILTER WATER	5711140133
4	9097015000	1	TANK SOLUTION 35 LT BLUE	5711140132
5	9097094000	2	DECAL SCRUBTEC 545 B	5711140132
5	9097095000	2	DECAL SCRUBTEC 545 BL	5711140132
5	9097096000	2	DECAL SCRUBTEC 553 B	5711140132
5	9097097000	2	DECAL SCRUBTEC 553 BL	5711140132
6	909 6596 000	1	GASKET	5711140129
7	909 6892 000	2	GASKET L 960	5711140131
8	L08603916	1	CLAMP	5711140016
9		1	NOTE COMMENT	WASHER 10X30X2.5 uNI6593
11	L08812457	2	CAP TANK	5711140018
12	56264442	1	ELBOW BARB E00037	
13	909 6633 000	1	LEVER, SQUEEGEE LIFTING	5711140129
14		3	NOTE COMMENT	WASHER M6 UNI1751B
15		3	NOTE COMMENT	WASHER 6X18 UNI6592
16		2	NOTE COMMENT	SCREW M6X16 UNI 5739
17		1	NOTE COMMENT	INCLUDED IN POS. 47
18	909 6649 000	1	BRACKET CONNECTOR SUPPORT	5711140129
19	909 6662 000	1	CABLE SQUEEGEE LIFTING BA431/531	5711140129
20	909 6236 000	1	CAP BLACK	5711140126
21	909 6673 000	1	CAP BLACK BP6	5711140129
22	145 8479 000	1	ARTICULATED HEAD M 6	5711140023
23	909 6680 000	1	BUSH FLANGED	5711140129
25		1	NOTE COMMENT	SCREW M5X16 UNI7687
26	33005502	1	NUT HEX M6 UNI5588	5711140065
27		3	NOTE COMMENT	WASHER M10 UNI1751B
28		2	NOTE COMMENT	NUT SELF L. M5 UNI7474
29	L08603805	1	DECAL WARNING	5711140015
30	33004010	1	SCREW M10X30 UNI5739	5711140062
31	33004345	8	SCREW M6X16 UNI5931	5711140064
32	33009531	2	HINGE	5711140075
33	145 0524 000	4	BLACK CLAMP 4,8X200	5711140023
34	145 0541 000	1	CLAMP 7,6 X 290	5711140023
35	33003964	2	SCREW M5X25 UNI5739	5711140061
36		1	NOTE COMMENT	WASHER M8 UNI1751B
37		1	NOTE COMMENT	SCREW M10X90 UNI5931
38		1	NOTE COMMENT	WASHER M10 UNI6592
39		1	NOTE COMMENT	INCLUDED IN POS. 47
40		1	NOTE COMMENT	SCREW M8X60 UNI5931
41		2	NOTE COMMENT	SCREW HEX HD M10X20 SS

Solution tank 545B - 545BL - 553B - 553BL

SCRUBTEC 545B - 545BL - 553B - 553BL

27-11-2008

Part List ID
SCRUBTEC545B02

7

Pos	Part no.	Qty	Description	EAN
42		1	NOTE COMMENT NUT SELF L. M10 UNI7473	5701715456
43	909 6286 000	1	DECAL ALTO	5711140127
44	909 6337 000	6	SCREW M5X12 UNI7687	5711140127
45	909 6595 000	6	HOLDER.FLAT TIE	5711140129
46	33004010	1	SCREW M10X30 UNI5739	5711140062
47	909 6874 000	1	CABLE TANK KIT	5711140130

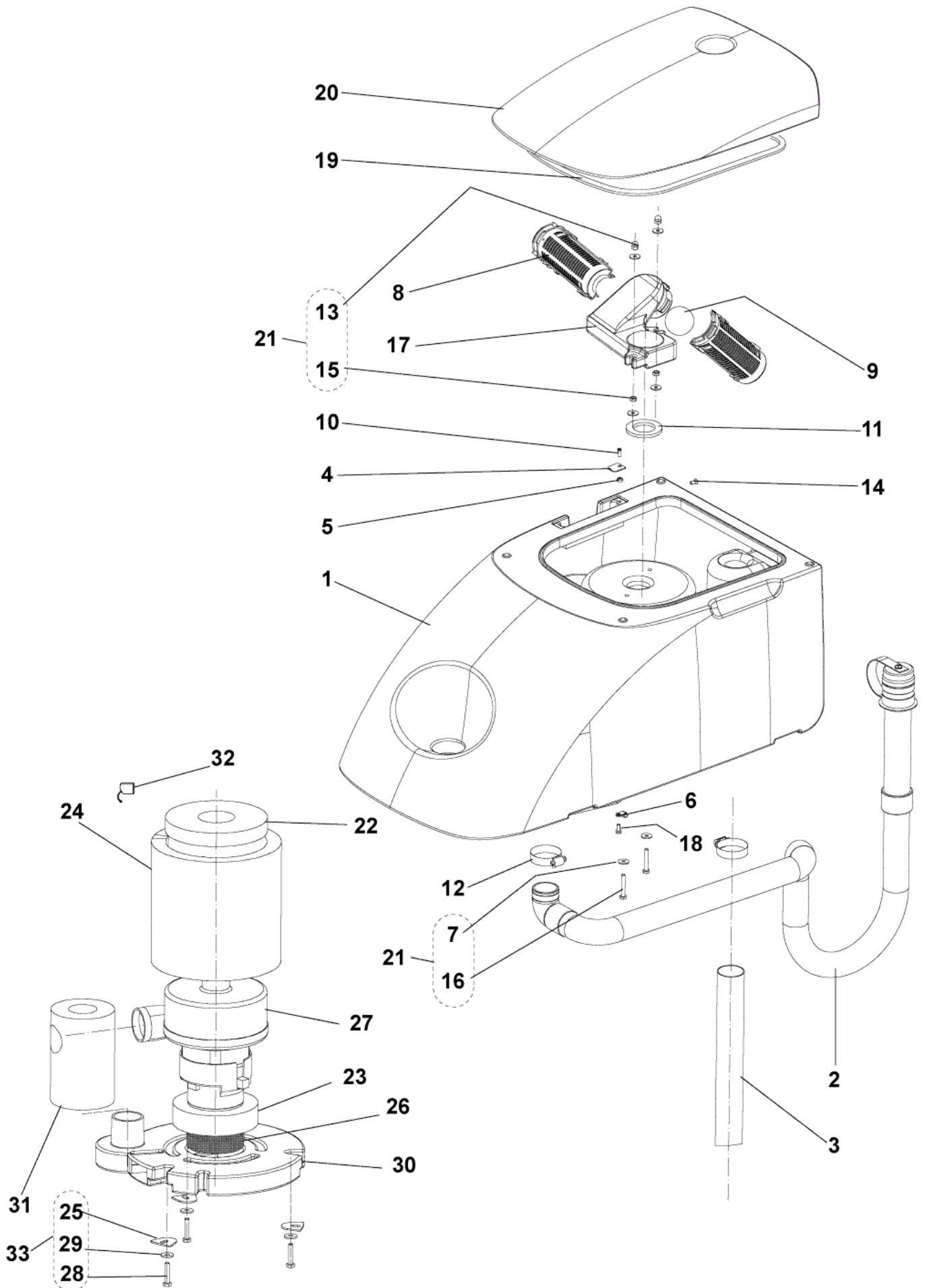
Recovery tank 545B - 545BL - 553B - 553BL

27-11-2008

Part List ID
SCRUBTEC545B03

SCRUBTEC 545B - 545BL - 553B - 553BL

8



Recovery tank 545B - 545BL - 553B - 553BL

27-11-2008

Part List ID
SCRUBTEC545B03

SCRUBTEC 545B - 545BL - 553B - 553BL

9

Pos	Part no.	Qty	Description	EAN
0	909 5065 000	1	FILTER ACCESSORY	5711140120
0	909 6840 000	1	HARNES VACUUM MOTOR	5711140130
1	9097016000	1	TANK RECOVERY 35 LT BLUE	5711140132
2	9097068000	1	HOSE DRAIN BLACK	5711140132
3	9097069000	1	HOSE SQUEEGEE VACUUM BLAC	5711140132
4	909 6643 000	2	PLATE TANK COVER	5711140129
5	909 6679 000	1	BUSH FLANGED	5711140129
6	L08239900	1	CLAMP	5711140012
7		6	NOTE COMMENT INCLUDED IN POS. 21	5701715456
8	L08812259	2	FLOAT CAGE COMPLETE	5711140017
9	L08812373	1	FLOAT BALL	5711140018
10	L08812804	2	SCREW	5711140019
11	L08812968	1	GASKET	5711140020
12	145 0543 000	2	CLAMP 14/32-52	5711140023
13		2	NOTE COMMENT INCLUDED IN POS. 21	5701715456
14	33005124	1	SCREW M5X12 UNI7688	5711140065
15		2	NOTE COMMENT INCLUDED IN POS. 21	5701715456
16		2	NOTE COMMENT INCLUDED IN POS. 21	5701715456
17	909 6199 000	1	CAGE FLOAT	5711140126
18	909 6337 000	1	SCREW M5X12 UNI7687	5711140127
19	909 6268 000	1	GASKET L 1370MM	5711140127
20	9097017000	1	COVER TANK 35 LT BLUE	5711140132
21	909 6876 000	1	HARDWARE TANK SYSTEM KIT	5711140130
22	9096918000	1	GASKET. VACUUM MOTOR	5711140131
23	909 6490 000	1	GASKET VACUUM MOTOR	5711140128
24	909 6491 000	1	PANEL ACOUSTIC INSULATION	5711140128
25		3	NOTE COMMENT INCLUDED IN POS. 33	5701715456
26	909 6672 000	1	FILTER	5711140129
27	909 6802 000	1	MOTOR VACUUM W/CONNEC.KIT BATTERY VERSION	5711140130
28		3	NOTE COMMENT INCLUDED IN POS. 33	5701715456
29		3	NOTE COMMENT INCLUDED IN POS. 33	5701715456
30	909 6051 000	1	COVER.VACUUM MOTOR	5711140125
31	909 6442 000	1	PIPE.ACOUSTIC INSULATION	5711140128
32	909 5371 000	2	CARBON BRUSH	5711140122
33	909 6877 000	1	HARDWARE, FIXING KIT	5711140130

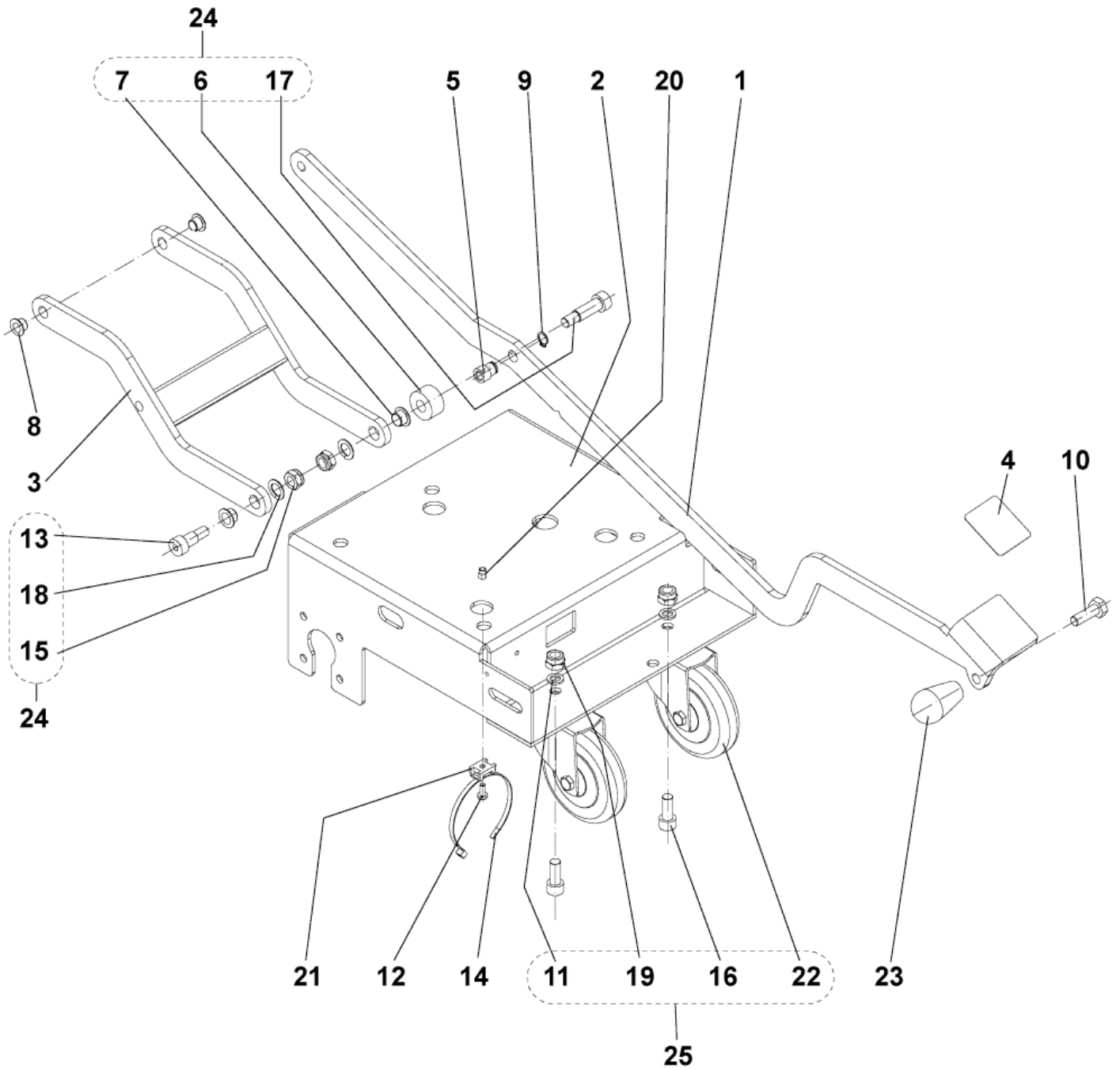
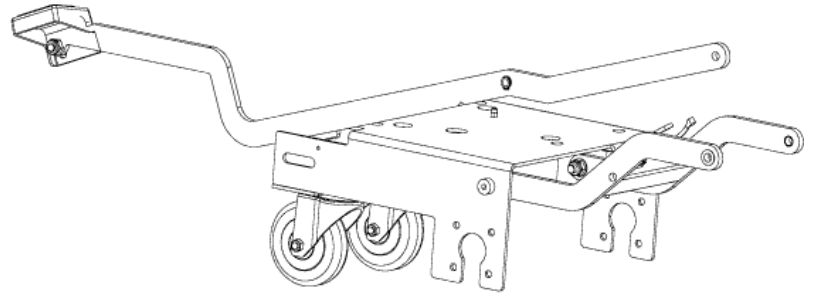
Chassis system

SCRUBTEC 545B - 545BL - 553B - 553BL

27-11-2008

Part List ID
SCRUBTEC545B04

10



Chassis system

SCRUBTEC 545B - 545BL - 553B - 553BL

27-11-2008

Part List ID
SCRUBTEC545B04

11

Pos	Part no.	Qty	Description	INCL. COMMENT	EAN
1	9097024000	1	PEDAL BRUSH LIFTING		5711140132
2	909 6482 000	1	CHASSIS 35 LT		5711140128
3	909 6486 000	1	LEVER BRUSH DECK LIFTING		5711140128
4	909 6539 000	1	MAT.ANTISKID		5711140128
5	909 6540 000	1	BUSH FLANGED		5711140128
6		1	NOTE COMMENT	INCLUDED IN POS. 24	5701715456
7		2	NOTE COMMENT	INCLUDED IN POS. 24	5701715456
8	909 6594 000	2	BUSH FLANGED		5711140129
9	33006051	1	RING D 12 UNI7435		5711140067
11		2	NOTE COMMENT	INCLUDED IN POS. 25	5701715456
12	909 6337 000	1	SCREW M5X12 UNI7687		5711140127
13		1	NOTE COMMENT	INCLUDED IN POS. 24	5701715456
14	145 0524 000	1	BLACK CLAMP 4,8X200		5711140023
15		2	NOTE COMMENT	INCLUDED IN POS. 24	5701715456
16		2	NOTE COMMENT	INCLUDED IN POS. 25	5701715456
17		1	NOTE COMMENT	INCLUDED IN POS. 24	5701715456
18		2	NOTE COMMENT	INCLUDED IN POS. 24	5701715456
19		2	NOTE COMMENT	INCLUDED IN POS. 25	5701715456
20	145 6132 000	1	INSERT M5		5711140031
21	909 6595 000	1	HOLDER.FLAT TIE		5711140129
24	909 6878 000	1	HARDWARE CHAS. FIXING KIT		5711140130
10A	33004010	1	SCREW M10X30 UNI5739	A=ONLY FOR BL MODELS	5711140062
22A		2	NOTE COMMENT	A=ONLY FOR BL MODELS	5701715456
22B		2	NOTE COMMENT	B=ONLY FOR B MODELS	5701715456
23A	909 6621 000	1	KNOB	A=ONLY FOR BL MODELS	5711140129
25A	909 6897 000	2	WHEEL REAR CASTOR KIT	A=ONLY FOR BL MODELS	5711140131
25B	909 6898 000	2	WHEEL REAR CASTOR KIT	B=ONLY FOR B MODELS	5711140131

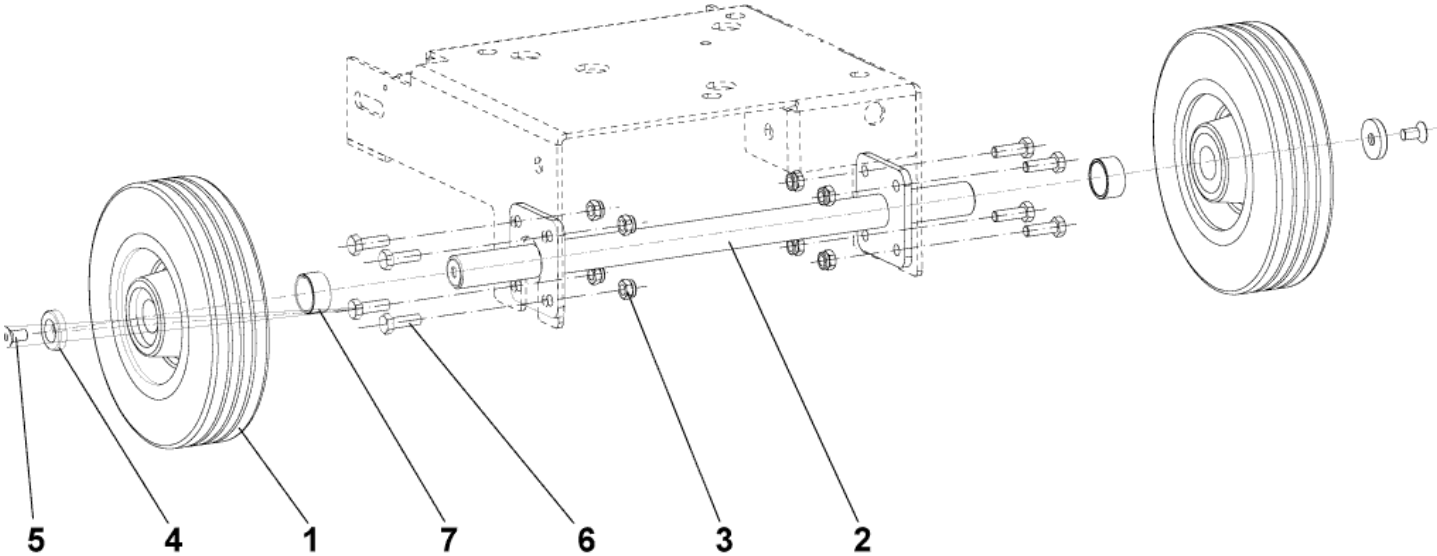
Wheels without traction (545B - 553B)

SCRUBTEC 545B - 545BL - 553B - 553BL

27-11-2008

Part List ID
SCRUBTEC545B05

12



Wheels without traction (545B - 553B)

SCRUBTEC 545B - 545BL - 553B - 553BL

27-11-2008

Part List ID
SCRUBTEC545B05

13

Pos	Part no.	Qty	Description	EAN
1	9097086000	2	WHEEL FRONT D.200 BLUE	5711140132
2	909 6508 000	1	SHAFT WHEELS	5711140128
3	33005607	8	NUT SELF L. M8 UNI7474	5711140066
4	L08812392	2	WASHER	5711140018
5	33004590	2	SCREW M8X16 UNI5933	5711140064
6	33005445	8	SCREW M8X25 UNI5739 GALVANISED	5711140065
7	909 6509 000	2	SPACER 25.2X30X15	5711140128

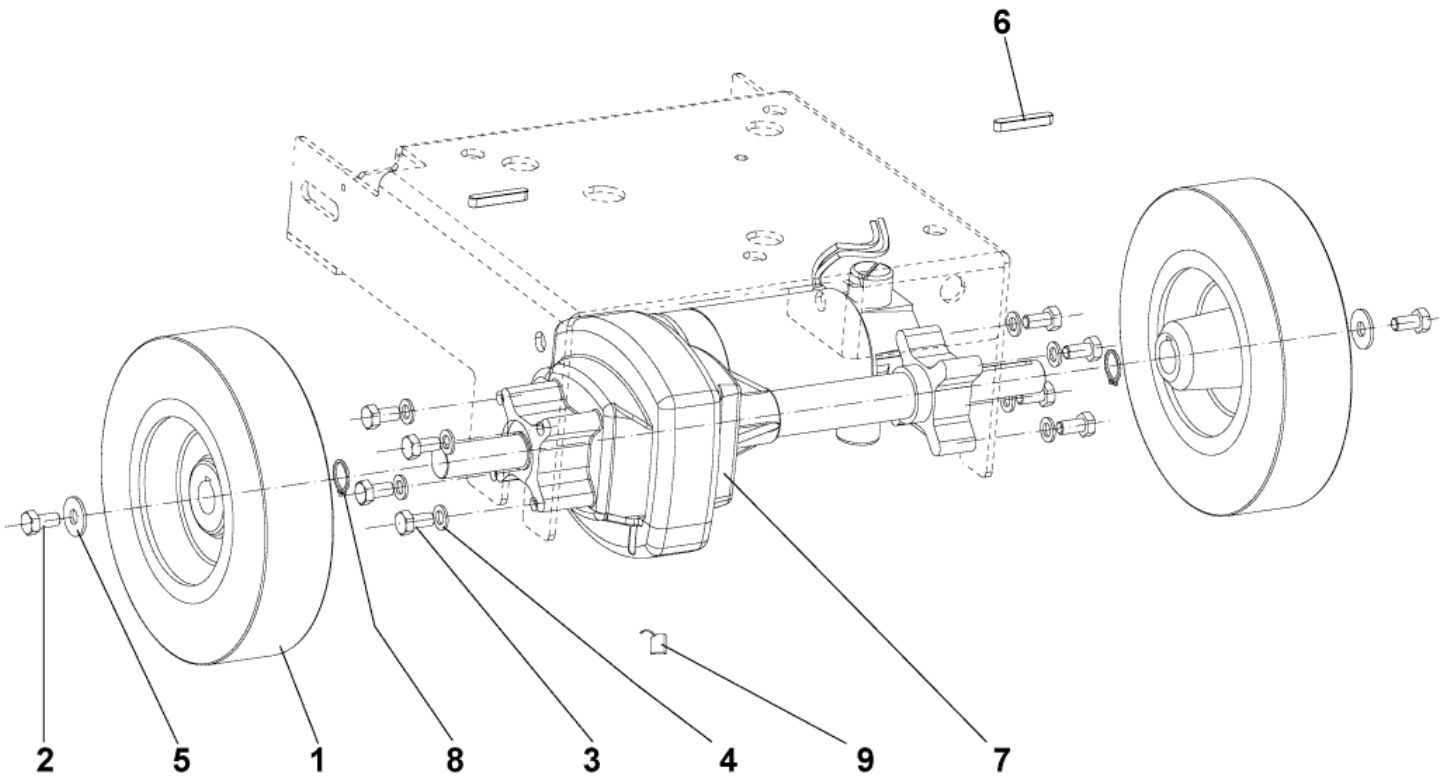
Wheels with traction (545BL - 553BL)

SCRUBTEC 545B - 545BL - 553B - 553BL

27-11-2008

Part List ID
SCRUBTEC545B06

14



Wheels with traction (545BL - 553BL)

SCRUBTEC 545B - 545BL - 553B - 553BL

27-11-2008

Part List ID
SCRUBTEC545B06

15

Pos	Part no.	Qty	Description	EAN
1	9097088000	2	WHEEL FRONT D.200 DRIVE BLUE	5711140132
2	L08274300	2	SCREW HEX	5711140012
3	33003993	8	SCREW TE 8X16	5711140062
4	145 9126 000	8	WASHER D. 8 (MIN 10 BOX)	
5	L08300000	2	WASHER	5711140012
6	146 0769 000	2	PIN 6X6X40	5711140033
7	909 6548 000	1	MOTOR DRIVE 200W 24V	5711140128
8	33006059	2	RING D 20 UNI7435	5711140067
9	145 5124 000	2	CARBON BRUSH	5711140027

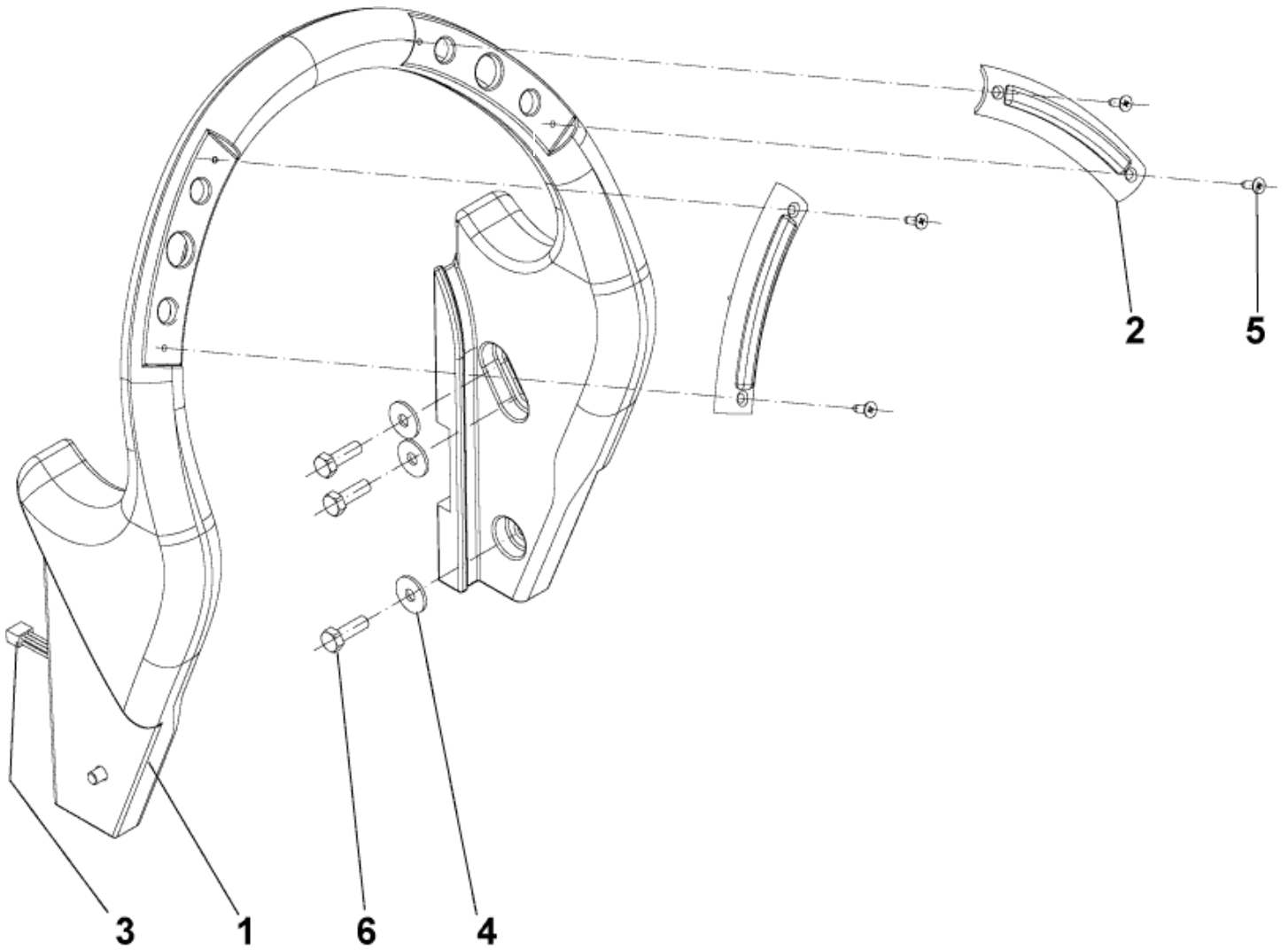
Handle assembly without traction (545B - 553B)

SCRUBTEC 545B - 545BL - 553B - 553BL

27-11-2008

Part List ID
SCRUBTEC545B07

16



Handle assembly without traction (545B - 553B)

SCRUBTEC 545B - 545BL - 553B - 553BL

27-11-2008

Part List ID
SCRUBTEC545B07

17

Pos	Part no.	Qty	Description	EAN
1	9097021000	1	HANDLE BAR	5711140132
2	9097152000	1	BUTTON BRUSH KIT	5711140132
3	9097036000	1	HARNESS HANDLE BAR	5711140132
4	L08300000	4	WASHER	5711140012
5	L08812074	4	SCREW SYS.CONV.	5711140017
6	33005445	4	SCREW M8X25 UNI5739 GALVANISED	5711140065

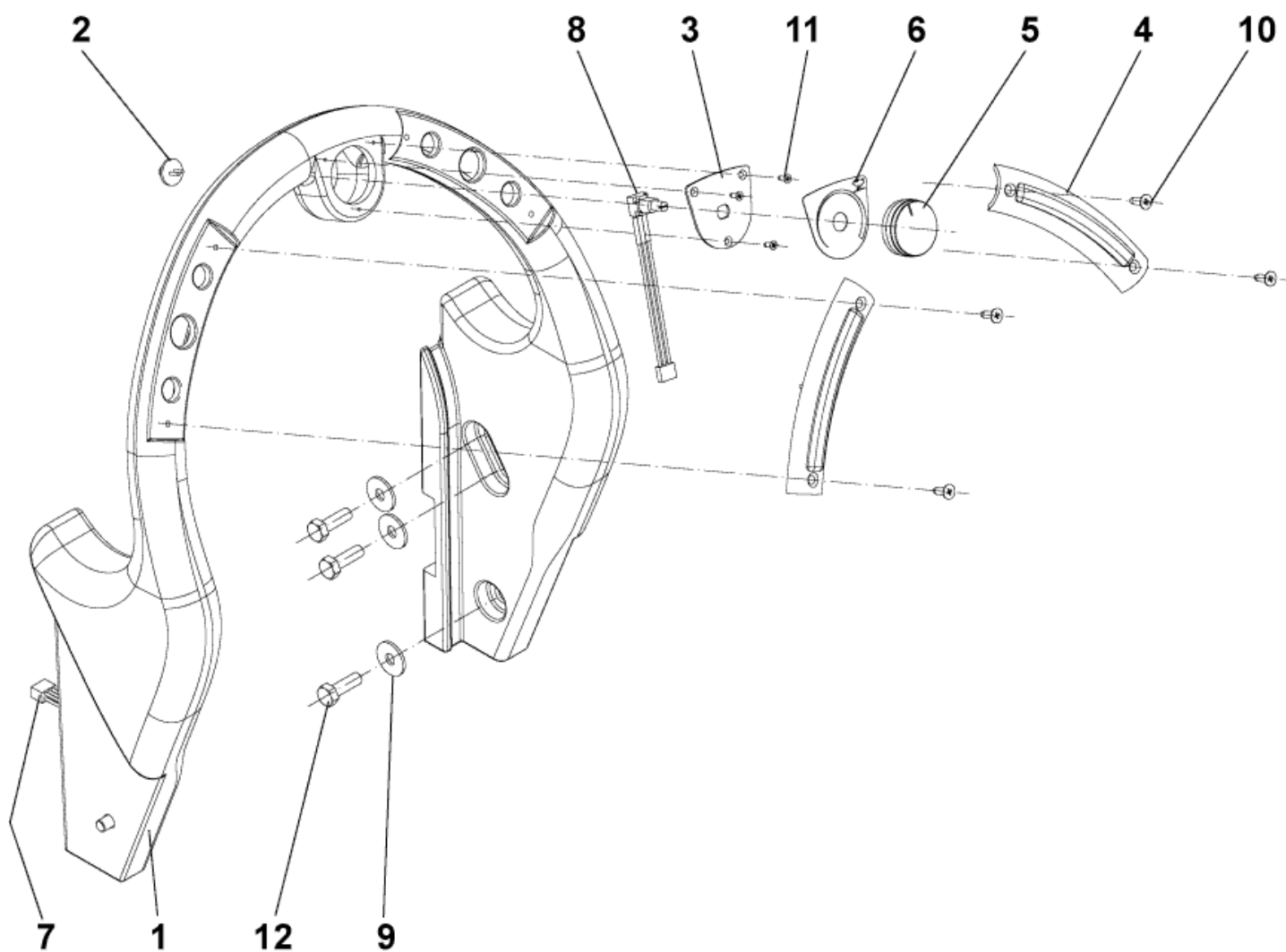
Handle assembly with traction (545 BL - 553 E)

SCRUBTEC 545B - 545BL - 553B - 553BL

27-11-2008

Part List ID
SCRUBTEC545B08

18



Handle assembly with traction (545 BL - 553 E

SCRUBTEC 545B - 545BL - 553B - 553BL

27-11-2008

Part List ID
SCRUBTEC545B08

19

Pos	Part no.	Qty	Description	EAN
1	9097018000	1	HANDLE BAR DRIVE VERSION	5711140132
2	9097153000	1	SWITCH REVERSE SPEED	5711140132
3	9097031000	1	PLATE POTENTIOMETER	5711140132
4	9097152000	1	BUTTON BRUSH KIT	5711140132
5	9097070000	1	KNOB TRACTION CONTROL	5711140132
6	9097071000	1	DECAL TRACTION CONTROL	5711140132
7	9097035000	1	HARNES HANDLE BAR	5711140132
8	9097043000	1	POTENTIOMETER	5711140132
9	L08300000	4	WASHER	5711140012
10	L08812074	4	SCREW SYS.CONV.	5711140017
11	145 1756 000	3	SCREW 2.9X9.5 UNI6955	5711140024
12	33005445	4	SCREW M8X25 UNI5739 GALVANISED	5711140065
13	909 6496 000	1	SPACER D.10.5X21X3	5711140128

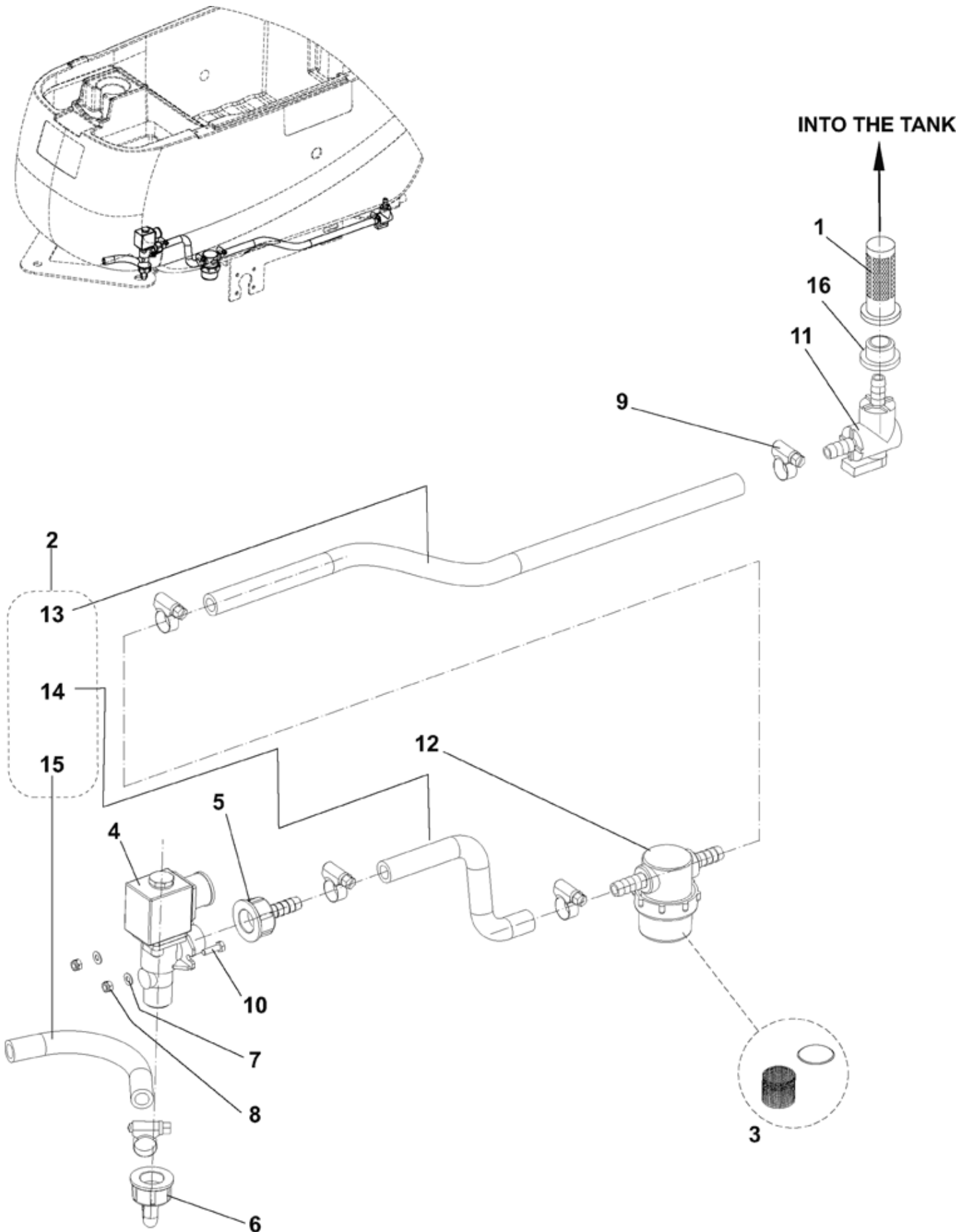
Solution system

SCRUBTEC 545B - 545BL - 553B - 553BL

27-11-2008

Part List ID
SCRUBTEC545B09

20



Solution system

SCRUBTEC 545B - 545BL - 553B - 553BL

27-11-2008

Part List ID
SCRUBTEC545B09

21

Pos	Part no.	Qty	Description	EAN
1	9096916000	1	FILTER SOLUTION TANK	5711140131
2	9097170000	1	PIPES SOLENOID VALVE KIT	5711140132
3	L08603893	1	KIT NET FILTER & GASKET	5711140016
4	909 6555 000	1	SOLENOID VALVE 24V	5711140128
5	909 6636 000	1	HOLDER RUBBER 1/2 FEMALE	5711140129
6	909 6637 000	1	HOLDER RUBBER 90Ø D.10	5711140129
7	L08200800	2	WASHER	5711140012
8	L08603685	2	NUT	5711140015
9	145 8582 000	5	CLAMP 8/ 9-16	5711140023
10	146 0497 000	2	SCREW HEX HD M4X16 SS UNI5739	5711140032
11	9096994000	1	VALVE ELBOW	5711140131
12	9097166000	1	FILTER COMPLETE KIT	5711140132
16	909 5286 000	1	GASKET	5711140122

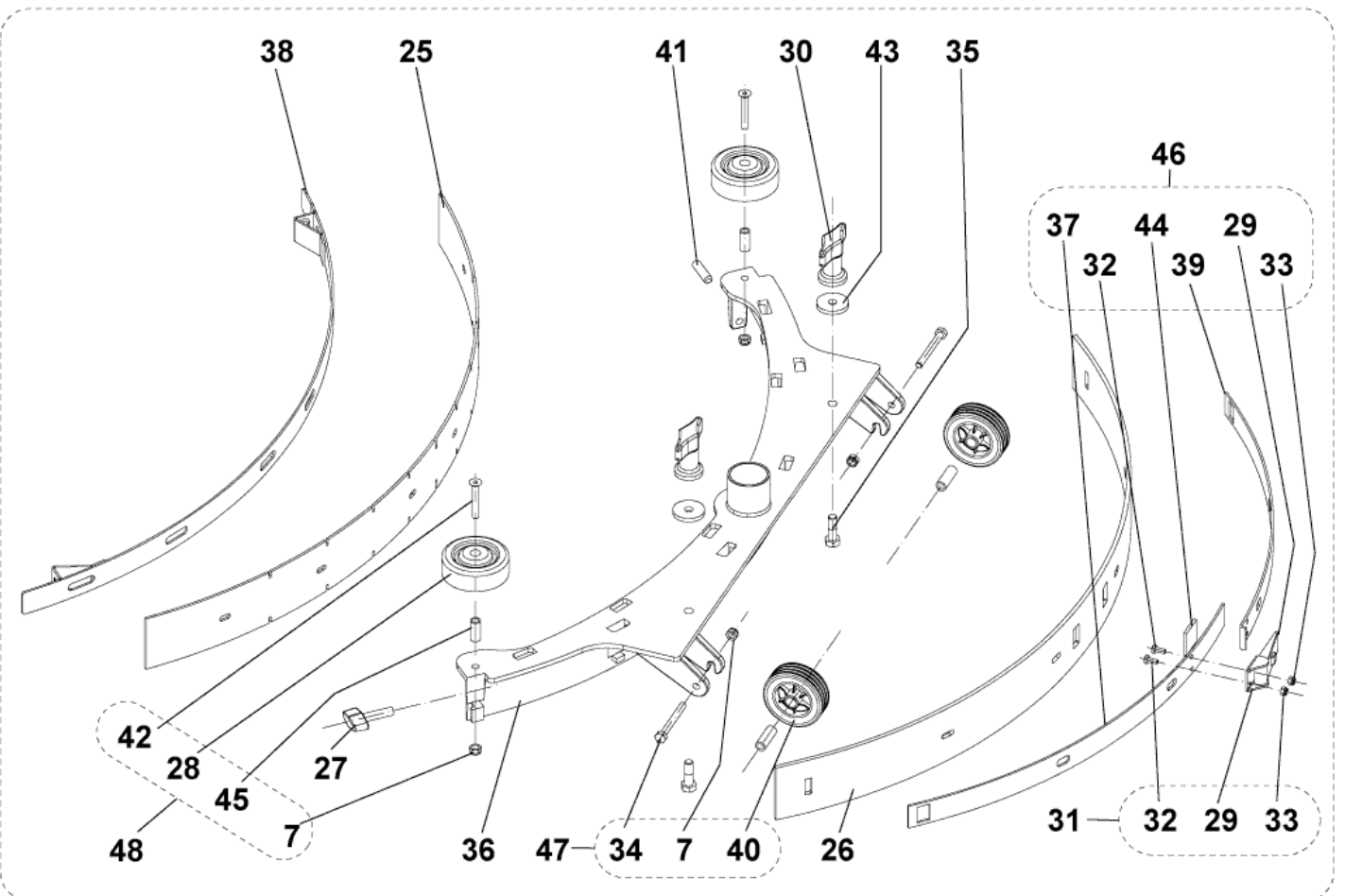
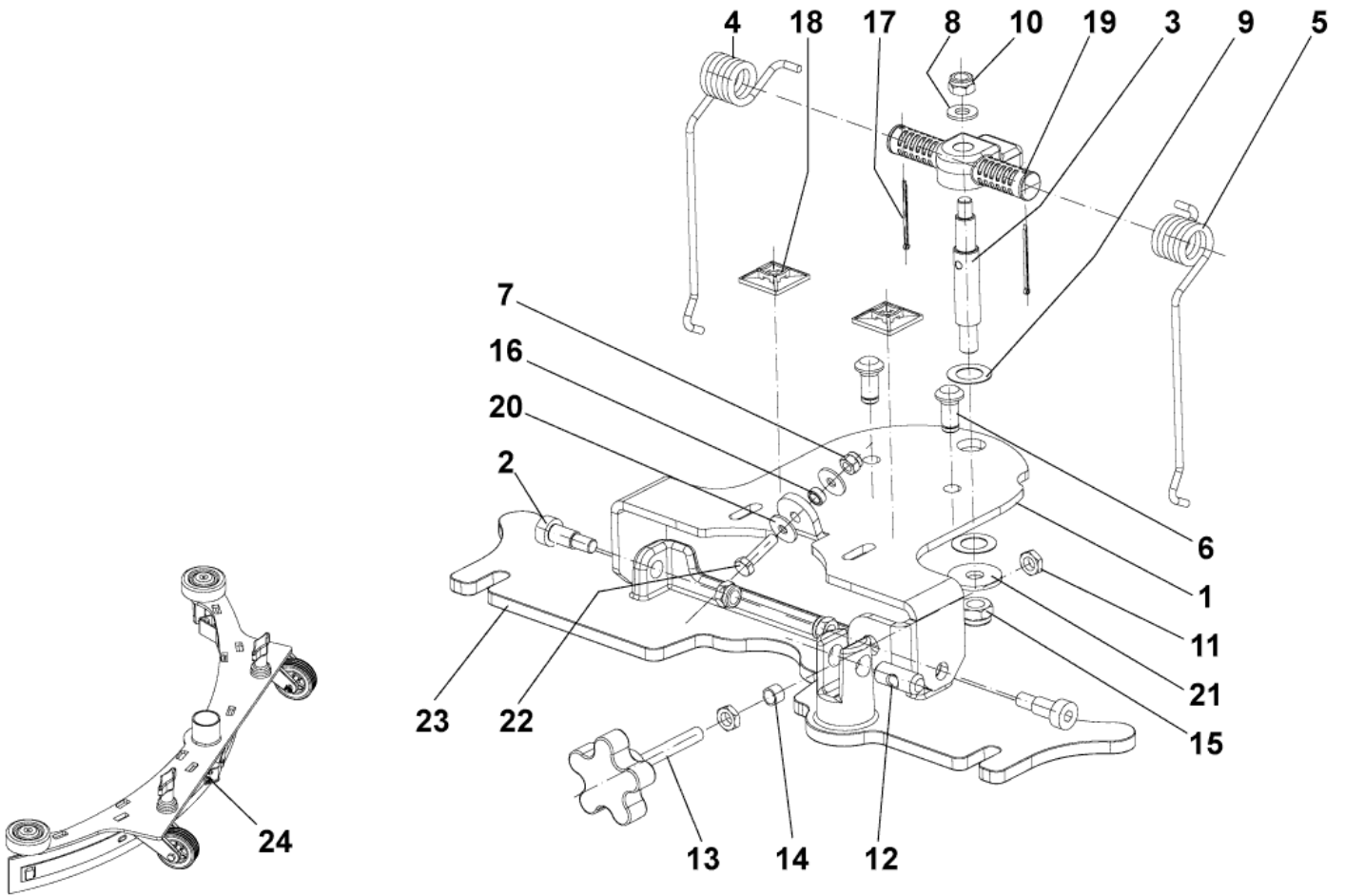
Squeegee system

SCRUBTEC 545B - 545BL - 553B - 553BL

27-11-2008

Part List ID
SCRUBTEC545B10

22



Squeegee system

SCRUBTEC 545B - 545BL - 553B - 553BL

27-11-2008

Part List ID
SCRUBTEC545B10

23

Pos	Part no.	Qty	Description		EAN
0	909 6885 000	1	HARDWARE SQUEEGEE FIXING KIT	TSB IT 2007-031	5711140131
0	9097548000	1	WASHER NYLON KIT F.SQUEE SUPPORT		5711140134
1	909 6494 000	1	BRACKET, SQUEEGEE SUPPORT		5711140128
3	909 6497 000	1	PIN SQUEEGEE		5711140128
4	909 6537 000	1	SPRING,SQUEEGEE PUSHING		5711140128
5	909 6538 000	1	SPRING,SQUEEGEE PUSHING		5711140128
6	909 6543 000	2	PIN, SQUEEGEE FIXING		5711140128
8	33005915	1	WASHER M8 UNI6592		5711140067
9	L08238300	2	WASHER C51 TRANSPORTER		5711140012
10	33005607	3	NUT SELF L. M8 UNI7474		5711140066
15	33005608	1	NUT SELF L. M10 UNI7474		5711140066
17	33005758	2	PIN SPLIT 2X32 UNI1336		5711140066
18	909 6635 000	2	HOLDER,FLAT TIE		5711140129
19	909 6052 000	1	SUPPORT,SQUEEGEE SPRING		5711140125
21	L08604251	1	WASHER		5711140016
23	909 6045 000	1	SUPPORT, SQUEEGEE		5711140125
24	909 6851 000	1	SQUEEGEE KIT COMPLETE		5715492037
25	909 6483 000	1	BLADE,FRONT		5715492037
26	909 6484 000	1	BLADE,REAR		5715492037
27	909 6551 000	1	KNOB M8X30 SS		5711140128
30	L08603675	2	SQUEEGEE FIXING HANDWHEEL		5711140015
31	909 6394 000	1	LATCH SQUEEGEE KIT		5711140127
34	909 6599 000	2	SCREW M6X55 UNI5739		5711140129
35	909 5953 000	2	SCREW 5/16X1 UNC		5711140125
36	909 6044 000	1	WELDMENT,SQUEEGEE TOOL		5711140125
38	909 6055 000	1	STRAP,SQUEEGEE FRONT		5711140125
41	909 6600 000	1	SCREW GRUB M8X30 UNI5929		
43	909 6682 000	2	RUBBER WASHER		5711140129
46	909 6882 000	1	HARDWARE SQU.BLADE FIXING		5711140130
47	909 6883 000	1	WHEEL SQUEEGEE KIT		5711140131
48	909 6884 000	1	ROLLER BUMPER SQUEEG. KIT		5711140131

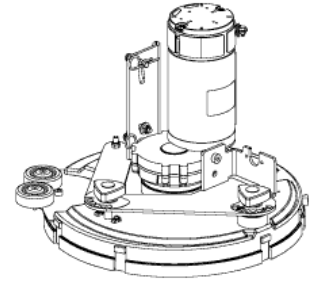
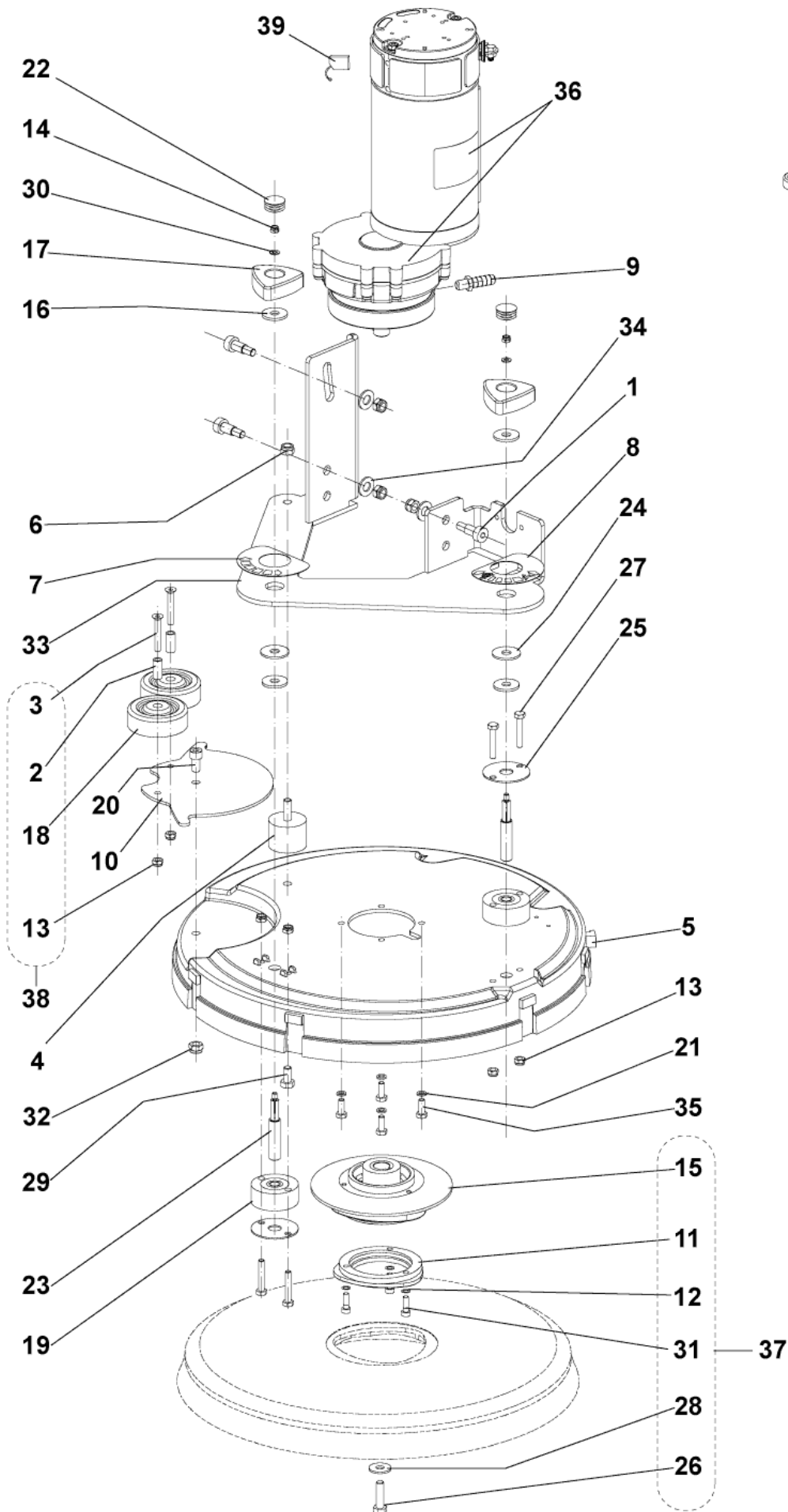
Brush system 545B

SCRUBTEC 545B - 545BL - 553B - 553BL

27-11-2008

Part List ID
SCRUBTEC545B11

24



Brush system 545B

SCRUBTEC 545B - 545BL - 553B - 553BL

27-11-2008

Part List ID
SCRUBTEC545B11

25

Pos	Part no.	Qty	Description	EAN
0	909 6888 000	1	HARDWARE BRUSH DECK KIT POS. 6,13,14,16,17,19,22,23,24,25,27,29	5711140131
0	9097599000	1	PROTECTION MOTOR KIT ACCESSORY TSB 2008-014	5711140134
1	909 6495 000	2	SCREW, SHOULDER M10X16 ISO 7379	5711140128
4	9097184000	1	VIBRATION DAMPING M8 60SH	5711140132
5	9097079000	1	DECK BRUSH BLACK 450 MM	5711140132
7	9097109000	1	DECAL BRUSH ADJUSTING	5711140132
8	9097110000	1	DECAL BRUSH ADJUSTING	5711140132
9	L08601624	1	SCREWED SOCKET, STRAIGHT	5711140013
10	9097081000	1	PLATE WHEELS SUPPORT	5711140132
11	L08812480	1	POLYGON HOLDER	5711140018
20	32400530	1	SCREW M8X16 ISO7380	
21	145 0252 000	4	WASHER D. 6 INOX (MIN 10 BOX)	
30	33005912	4	WASHER M5 UNI6592	5711140067
32	145 0452 000	1	SELF-LOCKING NUT M 8 INOX	5711140022
33	909 6485 000	1	PLATE, DECK BRUSH OLDER	5711140128
34	33005916	3	WASHER M10 UNI6592	5711140067
35	145 9959 000	4	SCREW TE M 6X 16 INOX	5711140021
36	909 6546 000	1	REDUCTION GEARMOTOR CPL. 520W 24V	5711140128
37	9097093000	1	HOLDER POLYGONAL KIT	5711140132
38	909 6355 000	1	ROLLER BUMPER KIT	5711140127
39	909 5380 000	1	CARBON BRUSH	5711140122

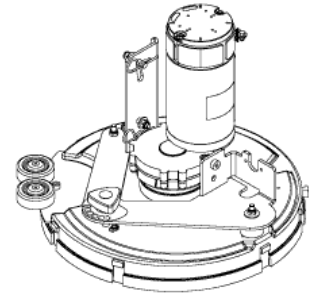
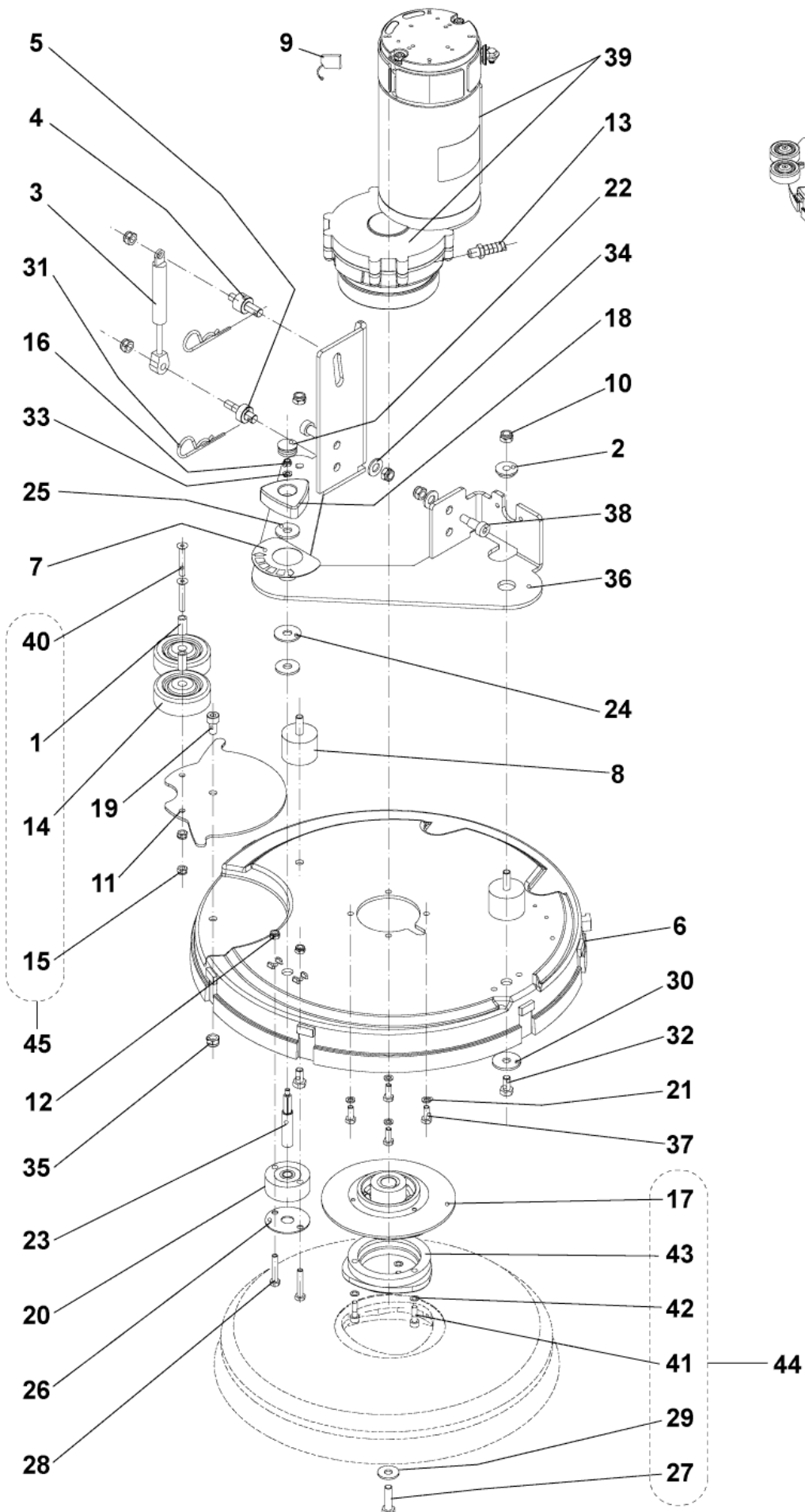
Brush system 545BL

SCRUBTEC 545B - 545BL - 553B - 553BL

27-11-2008

Part List ID
SCRUBTEC545B12

26



Brush system 545BL

SCRUBTEC 545B - 545BL - 553B - 553BL

27-11-2008

Part List ID
SCRUBTEC545B12

27

Pos	Part no.	Qty	Description		EAN
0	909 6888 000	1	HARDWARE BRUSH DECK KIT	POS. 10,15,16,18,20,22,23,24,25,26,28,32	5711140131
0	9097599000	1	PROTECTION MOTOR KIT	ACCESSORY TSB IT 2008-014	5711140134
2	909 6513 000	1	BUSH FLANGED		5711140128
3	9097080000	1	SPRING GAS 100 N		5711140132
4	909 6515 000	1	PIN UPPER		5711140128
5	909 6516 000	1	PIN LOWER		5711140128
6	9097079000	1	DECK BRUSH BLACK 450 MM		5711140132
7	9097109000	1	DECAL BRUSH ADJUSTING		5711140132
8	9097184000	2	VIBRATION DAMPING M8 60SH		5711140132
9	909 5380 000	1	CARBON BRUSH		5711140122
11	9097081000	1	PLATE WHEELS SUPPORT		5711140132
12	33005604	2	NUT SELF L. M6 UNI7474		5711140066
13	L08601624	1	SCREWED SOCKET, STRAIGHT		5711140013
19	32400530	1	SCREW M8X16 ISO7380		
21	145 0252 000	4	WASHER D. 6 INOX (MIN 10 BOX)		
30	145 8395 000	1	WASHER 8X24 INOX (MIN 10 BOX)		5711140022
31	145 8564 000	2	SPLIT PIN 3 ZN (MIN 10 BOX)		5711140022
33	33005912	2	WASHER M5 UNI6592		5711140067
34	33005916	2	WASHER M10 UNI6592		5711140067
35	145 0452 000	1	SELF-LOCKING NUT M8 INOX		5711140022
36	909 6485 000	1	PLATE,DECK BRUSH OLDER		5711140128
37	145 9959 000	4	SCREW TE M 6X 16 INOX		5711140021
38	909 6495 000	2	SCREW,SHOULDER M10X16 ISO 7379		5711140128
39	909 6546 000	1	REDUCTION GEARMOTOR CPL. 520W 24V		5711140128
43	L08812480	1	POLYGON HOLDER		5711140018
44	9097093000	1	HOLDER POLYGONAL KIT	POS. 17,43,42,41,29,27	5711140132
45	909 6355 000	1	ROLLER BUMPER KIT		5711140127
100	9097176000	1	BRUSH DECK 545BL KIT WITH	POS. 1 - 45	5715492037

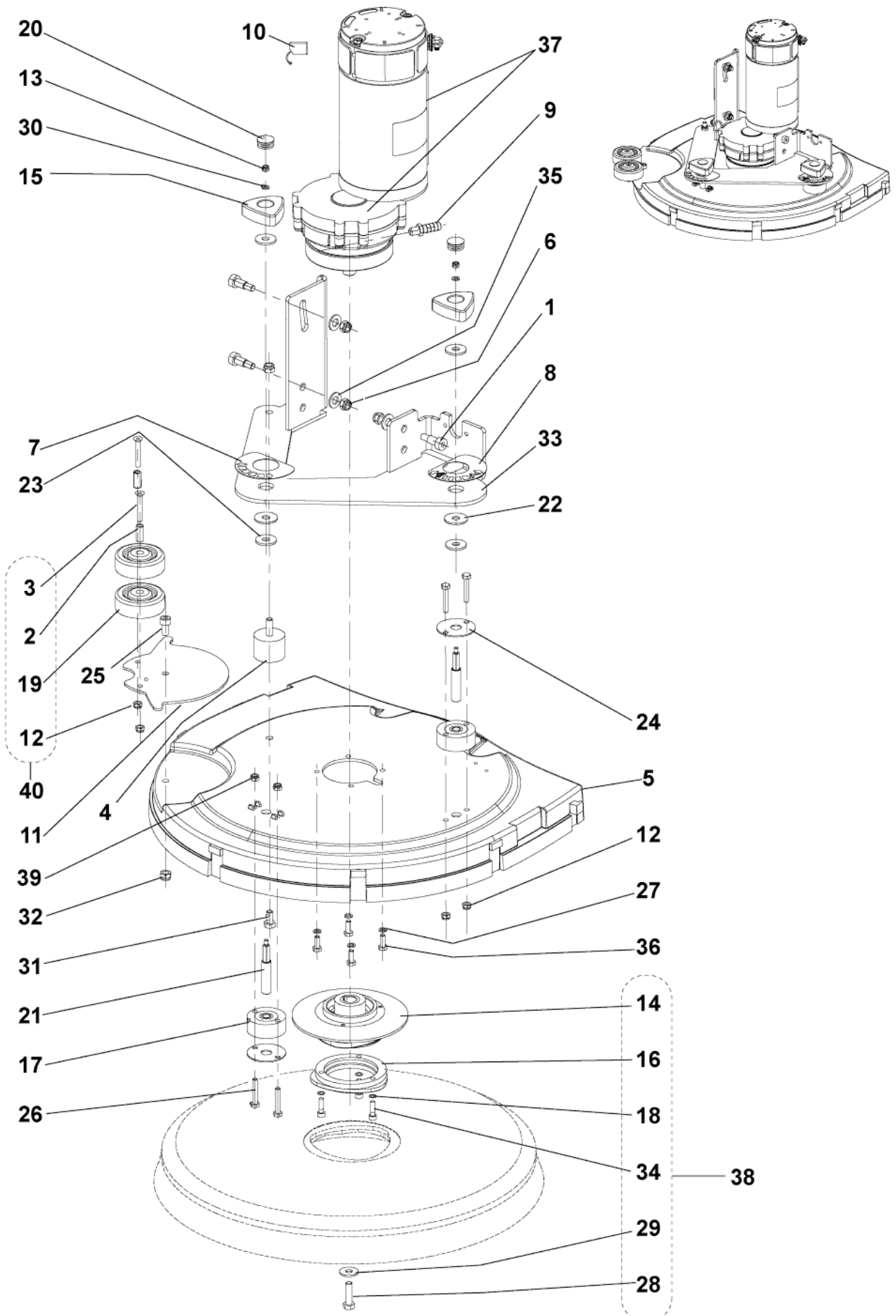
Brush system 553B

SCRUBTEC 545B - 545BL - 553B - 553BL

27-11-2008

Part List ID
SCRUBTEC545B13

28



Brush system 553B

SCRUBTEC 545B - 545BL - 553B - 553BL

27-11-2008

Part List ID
SCRUBTEC545B13

29

Pos	Part no.	Qty	Description	EAN
0	909 6888 000	1	HARDWARE BRUSH DECK KIT POS. 6,12,13,15,17,20,21,22,23,24,26,31	5711140131
0	9097599000	1	PROTECTION MOTOR KIT ACCESSORY TSB IT 2008-014	5711140134
1	909 6495 000	3	SCREW, SHOULDER M10X16 ISO 7379	5711140128
4	9097184000	1	VIBRATION DAMPING M8 60SH	5711140132
5	9097078000	1	DECK BRUSH BLACK 530 MM	5711140132
7	9097109000	1	DECAL BRUSH ADJUSTING	5711140132
8	9097110000	1	DECAL BRUSH ADJUSTING	5711140132
9	L08601624	1	SCREWED SOCKET, STRAIGHT	5711140013
10	909 5380 000	1	CARBON BRUSH	5711140122
11	9097081000	1	PLATE WHEELS SUPPORT	5711140132
16	L08812480	1	POLYGON HOLDER	5711140018
25	32400530	1	SCREW M8X16 ISO7380	
27	145 0252 000	4	WASHER D. 6 INOX (MIN 10 BOX)	
30	33005912	2	WASHER M5 UNI6592	5711140067
32	145 0452 000	1	SELF-LOCKING NUT M 8 INOX	5711140022
33	909 6485 000	1	PLATE, DECK BRUSH OLDER	5711140128
35	33005916	3	WASHER M10 UNI6592	5711140067
36	145 9959 000	4	SCREW TE M 6X 16 INOX	5711140021
37	909 6546 000	1	REDUCTION GEARMOTOR CPL. 520W 24V	5711140128
38	9097093000	1	HOLDER POLYGONAL KIT	5711140132
39	33005604	2	NUT SELF L. M6 UNI7474	5711140066
40	909 6355 000	1	ROLLER BUMPER KIT	5711140127

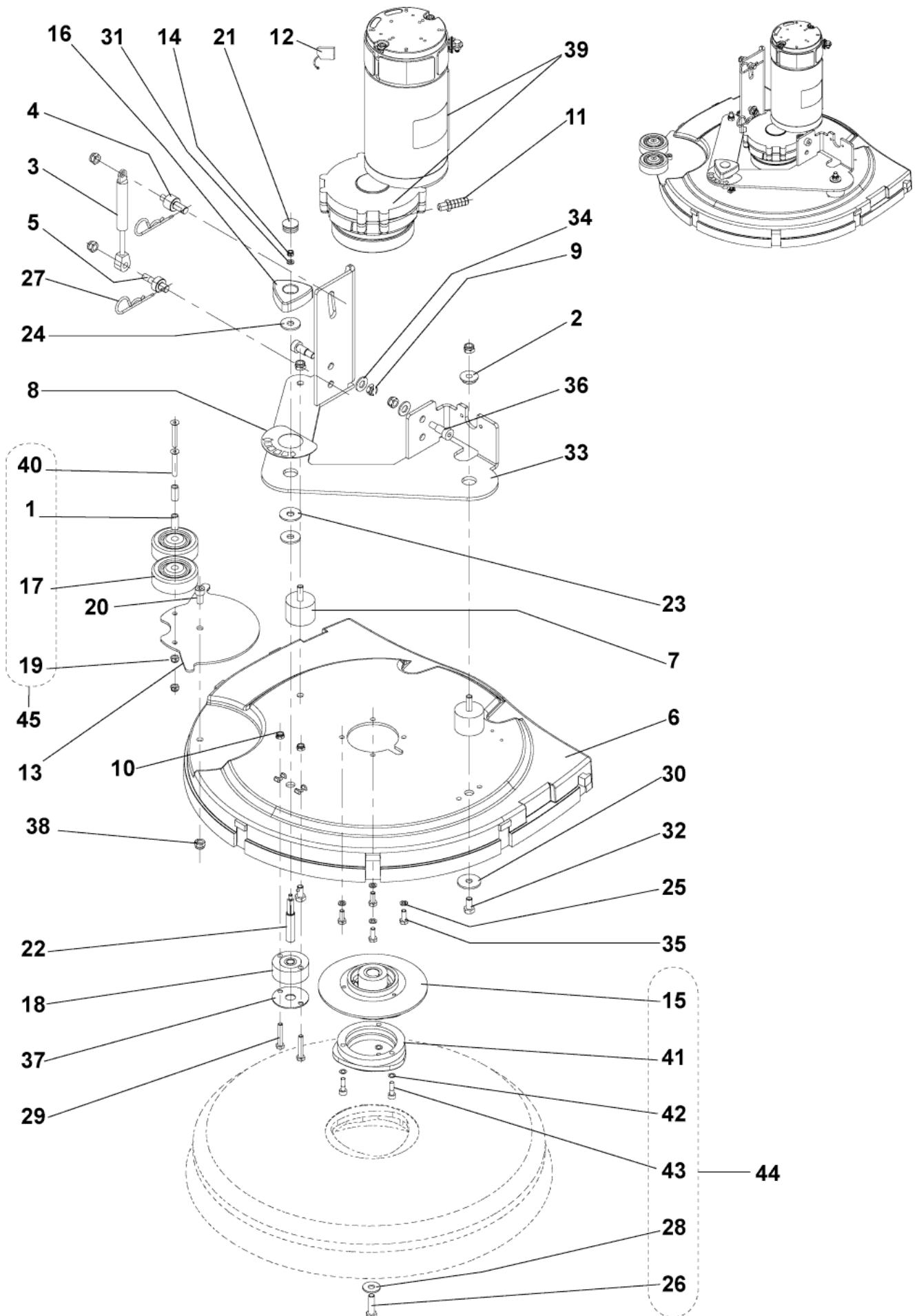
Brush system 553BL

SCRUBTEC 545B - 545BL - 553B - 553BL

27-11-2008

Part List ID
SCRUBTEC545B14

30



Brush system 553BL

SCRUBTEC 545B - 545BL - 553B - 553BL

27-11-2008

Part List ID
SCRUBTEC545B14

31

Pos	Part no.	Qty	Description		EAN
0	909 6888 000	1	HARDWARE BRUSH DECK KIT	POS. 9,14,16,18,19,21,22,23,24,29,32	5711140131
0	9097599000	1	PROTECTION MOTOR KIT	ACCESSORY TSB IT 2008-014	5711140134
2	909 6513 000	1	BUSH FLANGED		5711140128
3	9097077000	1	SPRING GAS 200 N		5711140132
4	909 6515 000	1	PIN UPPER		5711140128
5	909 6516 000	1	PIN LOWER		5711140128
6	9097078000	1	DECK BRUSH BLACK 530 MM		5711140132
7	9097184000	2	VIBRATION DAMPING M8 60SH		5711140132
8	9097109000	1	DECAL BRUSH ADJUSTING		5711140132
10	33005604	2	NUT SELF L. M6 UNI7474		5711140066
11	L08601624	1	SCREWED SOCKET, STRAIGHT		5711140013
12	909 5380 000	1	CARBON BRUSH		5711140122
13	9097081000	1	PLATE WHEELS SUPPORT		5711140132
20	32400530	1	SCREW M8X16 ISO7380		
25	145 0252 000	4	WASHER D. 6 INOX (MIN 10 BOX)		
27	145 8564 000	2	SPLIT PIN 3 ZN (MIN 10 BOX)		5711140022
30	145 8395 000	1	WASHER 8X24 INOX (MIN 10 BOX)		5711140022
31	33005912	1	WASHER M5 UNI6592		5711140067
33	909 6485 000	1	PLATE,DECK BRUSH OLDER		5711140128
34	33005916	2	WASHER M10 UNI6592		5711140067
35	145 9959 000	4	SCREW TE M 6X 16 INOX		5711140021
36	909 6495 000	2	SCREW,SHOULDER M10X16 ISO 7379		5711140128
38	145 0452 000	1	SELF-LOCKING NUT M 8 INOX		5711140022
39	909 6546 000	1	REDUCTION GEARMOTOR CPL. 520W 24V		5711140128
41	L08812480	1	POLY GON HOLDER		5711140018
44	9097093000	1	HOLDER POLY GONAL KIT		5711140132
45	909 6355 000	1	ROLLER BUMPER KIT		5711140127
100	9097177000	1	BRUSH DECK 553/653BL KIT	POS. 1 - 45	5715492037

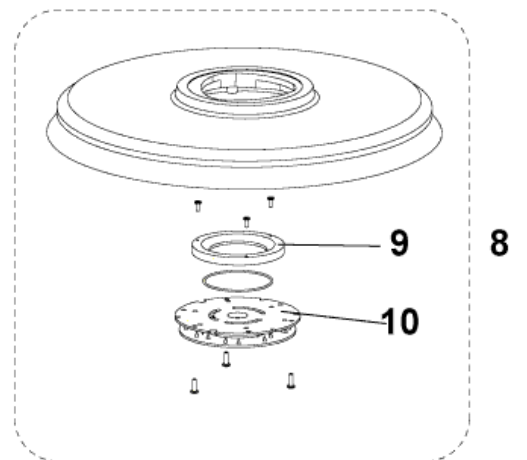
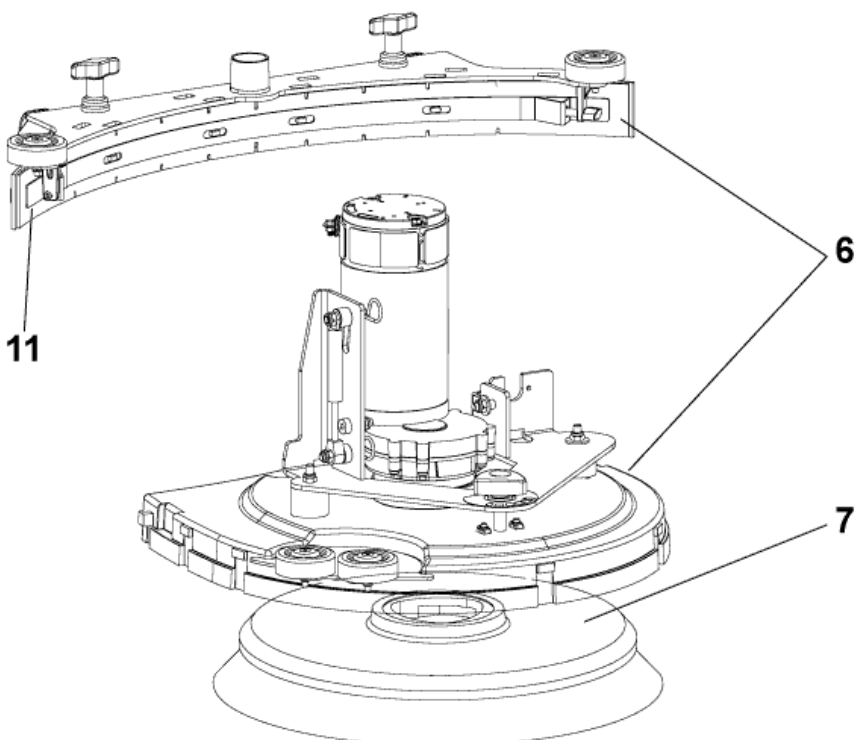
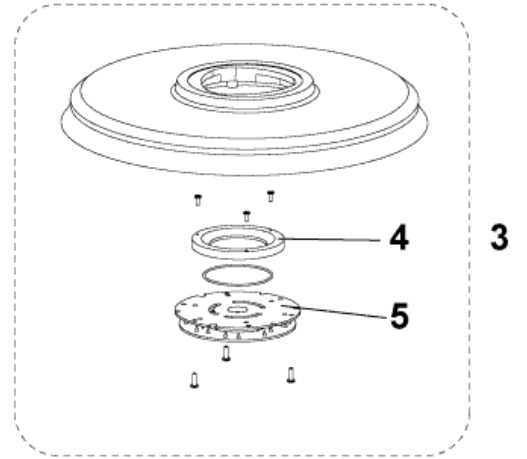
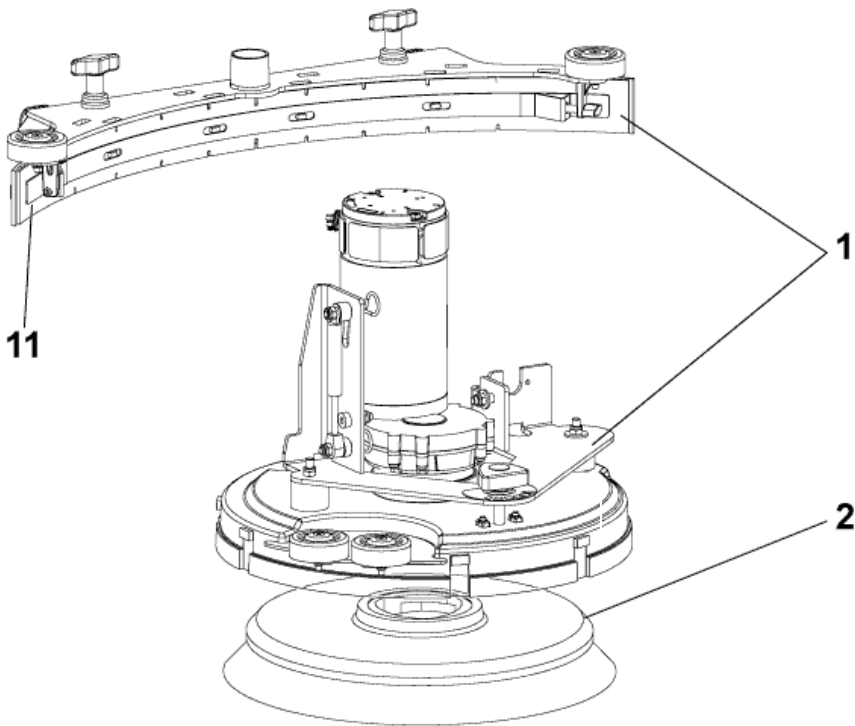
Accessories

SCRUBTEC 545B - 545BL - 553B - 553BL

27-11-2008

Part List ID
SCRUBTEC545B15

32



Accessories

SCRUBTEC 545B - 545BL - 553B - 553BL

27-11-2008

Part List ID
SCRUBTEC545B15

33

Pos	Part no.	Qty	Description		EAN
0	909 6483 000	1	BLADE,FRONT		5715492037
0	909 6484 000	1	BLADE,REAR		5715492037
0	909 6858 000	1	BLADE,POLYURET. KIT 30"		5715492037
0	909 6860 000	1	BLADE, STD KIT 30"		5715492037
1	9097180000	1	BRUSH DECK 450MM/18 KIT WITH SQUEEGEE	545 BL	5711140132
2	L08837020	1	PROLENE MEDIUM 0.7MM 45CM BRUSH	545 B - 545 BL - BRUSHES	5715492039
2	L08837021	1	PROLITE SOFT 0.5MM 45CM BRUSH	545 B - 545 BL - BRUSHES	
2	L08837022	1	UNION MIX BRUSH 45CM	545 B - 545 BL - BRUSHES	
2	L08837023	1	MIDLITE HEAVY DUTY 180 GT 45CM BRUSH	545 B - 545 BL - BRUSHES	
2	L08837024	1	MIDGRIT MEDIUM 240 GRIT 45CM BRUSH	545 B - 545 BL - BRUSHES	
3	L08837017	1	PADHOLDER 45CM	545 B - 545 BL - BRUSHES	5715492036
4	L08603966	1	RING NYLON	545 B - 545 BL - BRUSHES	5711140016
5	L08837030	1	RETAINER PAD	545 B - 545 BL - BRUSHES	5711140020
6	9097181000	1	BRUSH DECK 530MM/21 KIT WITH SQUEEGEE	SCRUBTEC 553 BL	5711140132
7	L08837025	1	PROLENE MEDIUM 0,7MM 53CM BRUSH	553 B - 553 BL - BRUSHES	
7	L08837026	1	PROLITE SOFT 0.5MM 53CM BRUSH	553 B - 553 BL - BRUSHES	
7	L08837027	1	UNION MIX BRUSH 53CM	553 B - 553 BL - BRUSHES	
7	L08837028	1	MIDLITE MEDIUM 180 GRIT 53CM BRUSH	553 B - 553 BL - BRUSHES	
7	L08837029	1	MIDGRIT MEDIUM 240 GRIT 53CM BRUSH	553 B - 553 BL - BRUSHES	
7	L08837065	1	MAGNA GRIT 46 BRUSH 53CM EXTREME HEAVY DUTY	553 BL - BRUSHES	
7	L08837066	1	DYNA GRIT 80 BRUSH	553 B - 553 BL - BRUSHES	
7	L08837067	1	AGLITE GRIT 500 BRUSH SOFT 53CM	553 B - 553 BL - BRUSHES	
8	L08837018	1	PADHOLDER 53CM	553 B - 553 BL - BRUSHES	5715492036
9	L08603966	1	RING NYLON	553 B - 553 BL - BRUSHES	5711140016
10	L08837030	1	RETAINER PAD	553 B - 553 BL - BRUSHES	5711140020
11	909 6851 000	1	SQUEEGEE KIT COMPLETE		5715492037
11	L08603878	1	SQUEEGEE KIT COMPLETE		5711140016

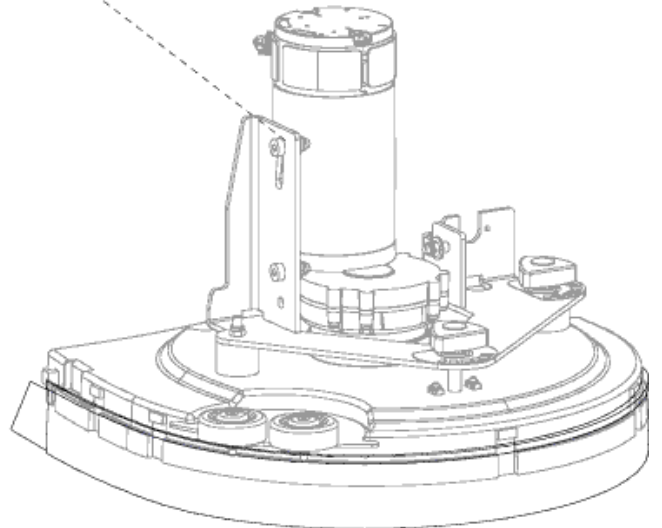
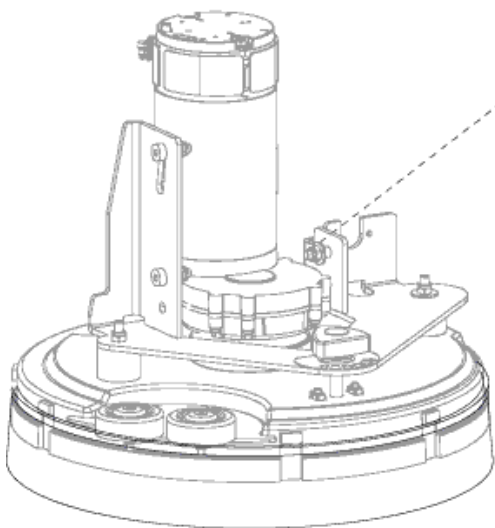
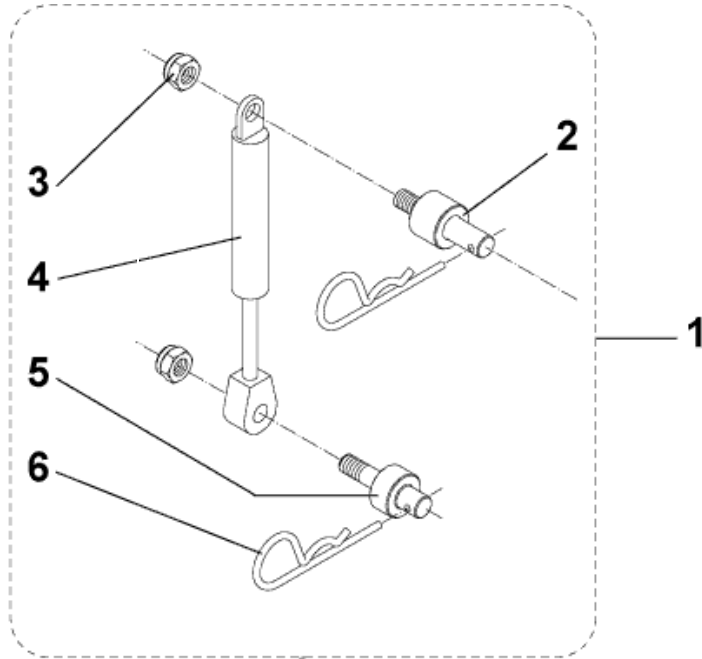
Extra pressure kit (545B - 533B)

SCRUBTEC 545B - 545BL - 553B - 553BL

27-11-2008

Part List ID
SCRUBTEC545B16

34



Extra pressure kit (545B - 533B)

SCRUBTEC 545B - 545BL - 553B - 553BL

27-11-2008

Part List ID
SCRUBTEC545B16

35

Pos	Part no.	Qty	Description	EAN
0	909 6759 000	1	INSTRUCTIONS INSTALLATIONBRUSH EXTRA PRE	5711140130
1	9097185000	1	PRESSURE EXTRA BRUSH KIT	5715492037

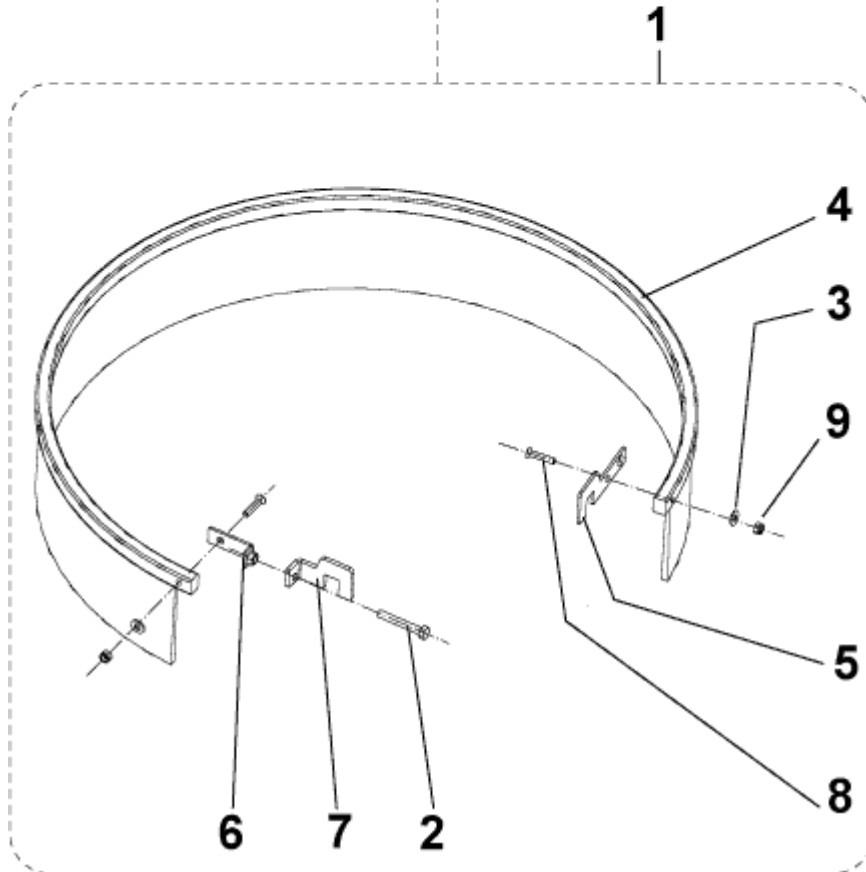
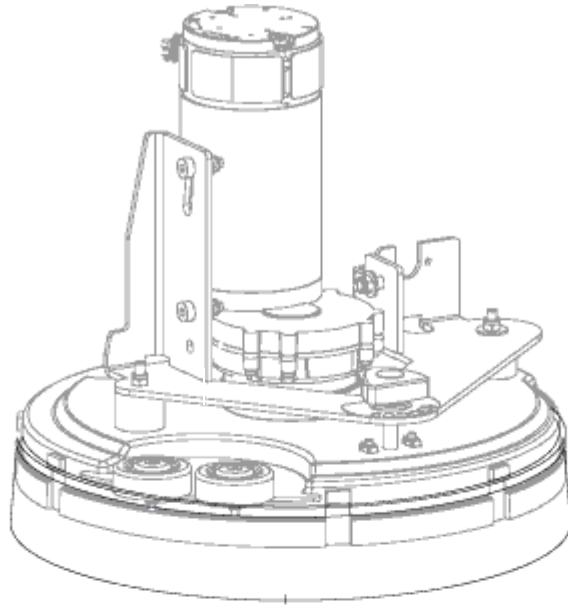
Splash guard 17" kit (545B - 545BL)

SCRUBTEC 545B - 545BL - 553B - 553BL

27-11-2008

Part List ID
SCRUBTEC545B17

36



Splash guard 17" kit (545B - 545BL)

SCRUBTEC 545B - 545BL - 553B - 553BL

27-11-2008

Part List ID
SCRUBTEC545B17

37

Pos	Part no.	Qty	Description	EAN
0	909 6745 000	1	INSTRUCTIONS INSTALLATIONSQUEEGEE CABLE	5711140130
1	909 6737 000	1	SPLASH GUARD KIT 451	5715492037

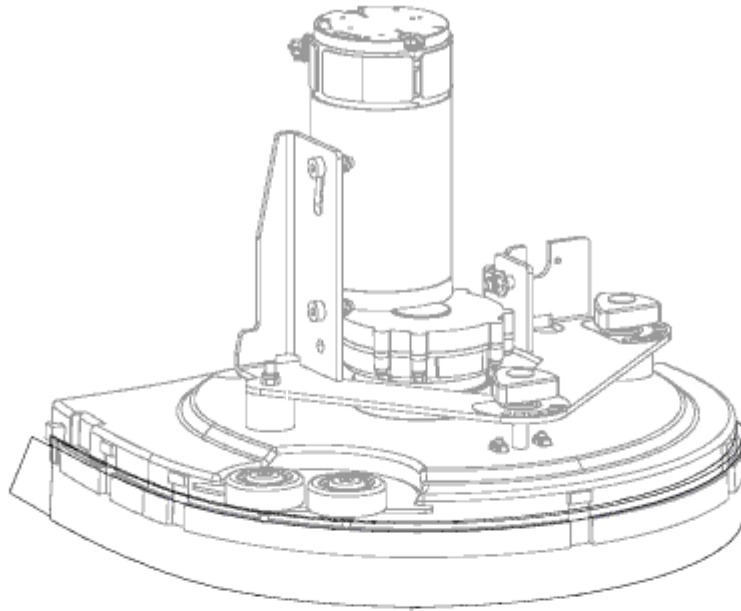
Splash guard 20" kit (553B - 553BL)

SCRUBTEC 545B - 545BL - 553B - 553BL

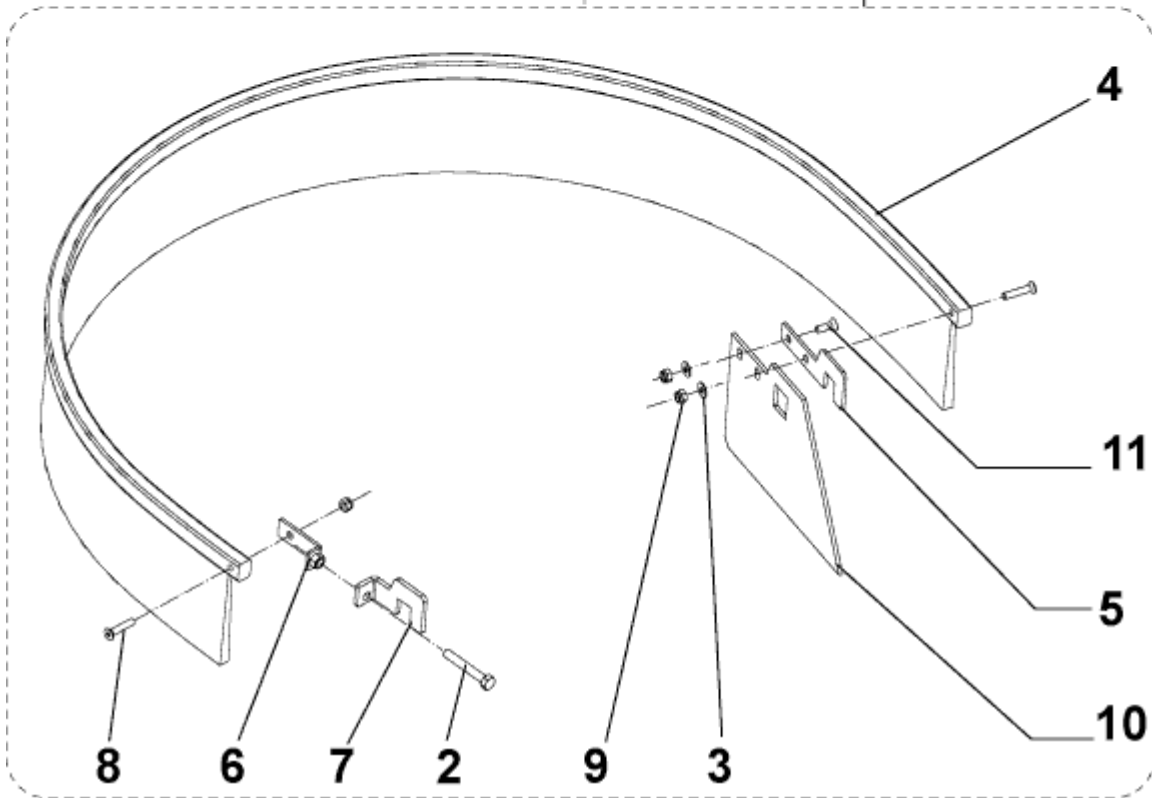
27-11-2008

Part List ID
SCRUBTEC545B18

38



1



8

6

7

2

9

3

4

11

5

10

Splash guard 20" kit (553B - 553BL)

SCRUBTEC 545B - 545BL - 553B - 553BL

27-11-2008

Part List ID
SCRUBTEC545B18

39

Pos	Part no.	Qty	Description	EAN
0	909 6745 000	1	INSTRUCTIONS INSTALLATIONSQUEEGEE CABLE	5711140130
1	909 6736 000	1	SPLASH GUARD KIT 531-551	5715492037

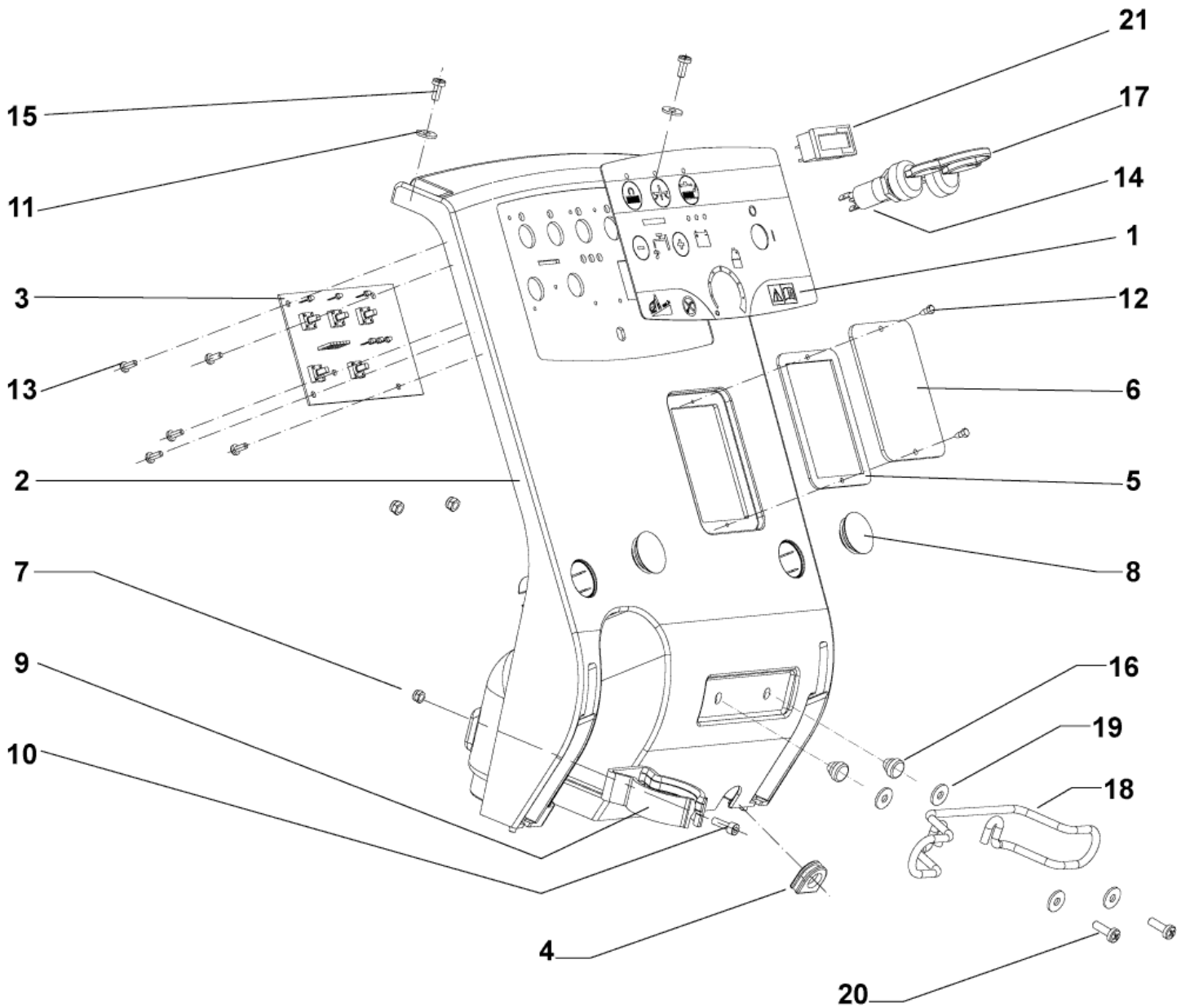
Control panel system

SCRUBTEC 545B - 545BL - 553B - 553BL

27-11-2008

Part List ID
SCRUBTEC545B19

40



Control panel system

SCRUBTEC 545B - 545BL - 553B - 553BL

27-11-2008

Part List ID
SCRUBTEC545B19

41

Pos	Part no.	Qty	Description	EAN
0	145 8368 000	2	FUSE 3A	5711140009
0	909 6678 000	1	FUSE 20A GLASS DELAYED	5711140129
0	9096952000	1	INSTRUCTIONS INSTALLATIONCOUNTER HOUR KI	5711140131
1	9097025000	1	DECAL CONTROL PANEL	5711140132
2	9097072000	1	COVER ELECTRIC COMPONENTS	5711140132
3	9097042000	1	CARD ELECTRONIC	5711140132
4	909 6542 000	1	GROMMET	5711140128
5	909 6545 000	1	GASKET	5711140128
8	L08812365	2	PLUG	5711140018
9	L08812967	1	CLAMP HOSE D 50 SS	5711140020
10	33004124	1	SCREW M5X16 UNI5931	5711140063
11	145 8280 000	4	WASHER 5X15 INOX (MIN 10 BOX)	5711140022
12	145 9211 000	2	SCREW 3.9X9.5 UNI6950 THD FORM	5711140022
13	146 0783 000	5	SCREW M4X10 DIN7500	5711140034
14	146 2888 000	1	SWITCH KEY WITH CAP	5711140046
15	909 5009 000	4	SCREW M5X12 UNI7687	5711140120
17	146 2887 000	1	KEY (2 PCS)	5711140046
20	146 2090 000	2	SCREW M5X16 UNI7687	5711140042
21	9096951000	1	COUNTER HOUR 24V KIT	5715492037
6A	909 6655 000	1	COVER F INSPECTION PLATE	5711140129
7A	33005603	1	NUT SELF L. M5 UNI7474	5711140066
7B	33005603	3	NUT SELF L. M5 UNI7474	5711140066
16B	909 6553 000	2	FEET RUBBER	5711140128
18B	909 5149 000	1	CABLE SUPPORT	5711140121
19B	145 1261 000	4	PLAIN WASHER 5 X 15 ZN	5711140022

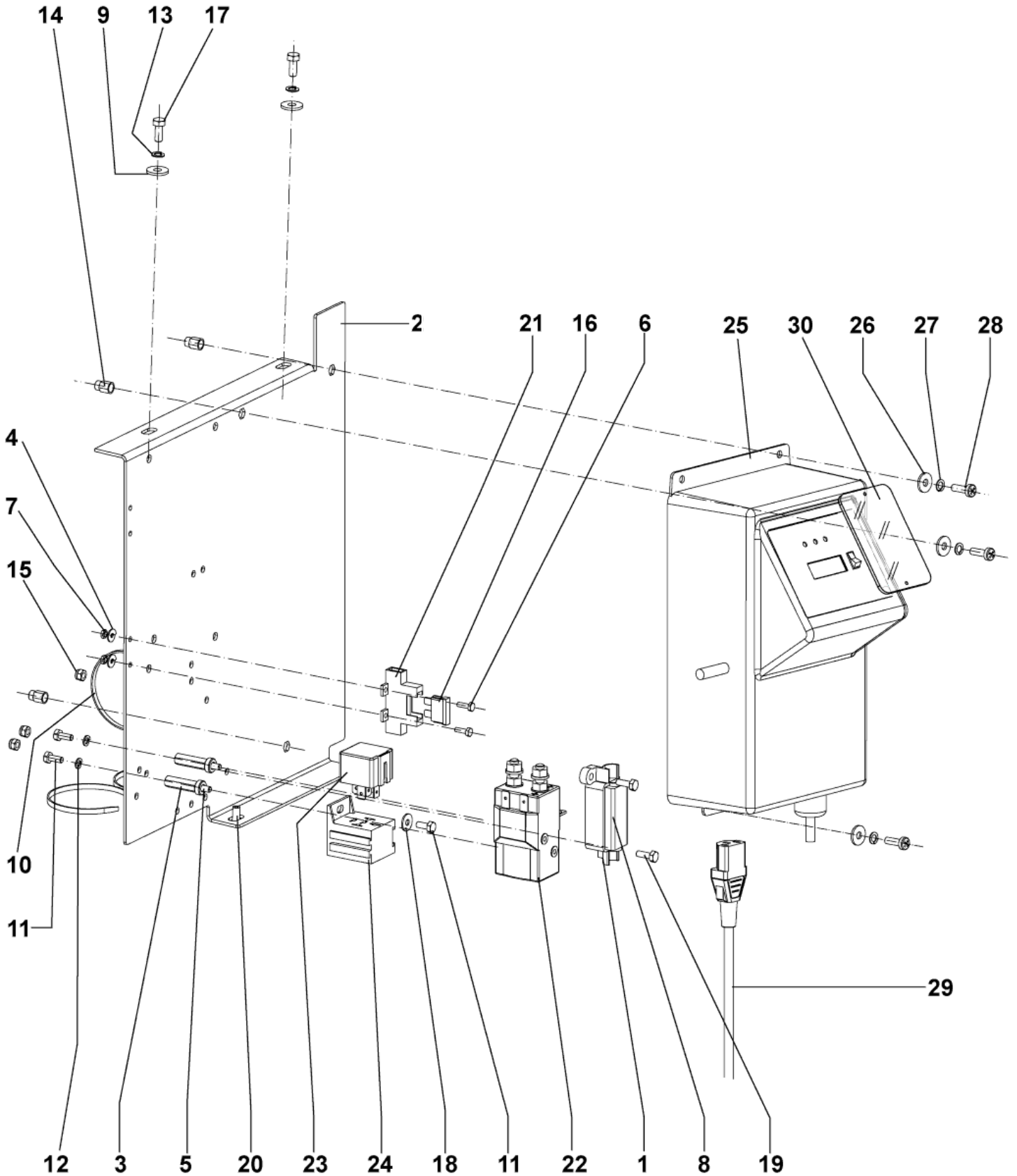
Electrical components (545B - 533B)

SCRUBTEC 545B - 545BL - 553B - 553BL

27-11-2008

Part List ID
SCRUBTEC545B20

42



Electrical components (545B - 533B)

SCRUBTEC 545B - 545BL - 553B - 553BL

27-11-2008

Part List ID
SCRUBTEC545B20

43

Pos	Part no.	Qty	Description	EAN
0	80564300	2	BATTERY SINGLE CELL 70AH DF 12 MF CH20 CH6-410	
0	80564400	2	BATTERY CH15-1000 100 AH5 CH6-1300-430 CH20-451-611	
0	909 6618 000	1	HARNES BATTERY	5711140129
0	909 6840 000	1	HARNES VACUUM MOTOR	5711140130
0	9097034000	1	HARNES ELECTRIC BOX	5711140132
0	9097039000	1	HARNES MACHINE	5711140132
0	9097590000	1	CABLE BATTERY INTERCONNECTION	5711140134
1	145 8046 000	1	FUSE HOLDER	5711140009
2	909 6498 000	1	SUPPORT.ELECTRONIC COMP.	5711140128
3	909 6676 000	2	SPACER M4 L25	5711140129
4	33005499	2	NUT HEX M3 UNI5588	5711140085
5	L08812801	2	SPACER	5711140019
6	L08812964	2	SCREW M3X10 UNI5739	5711140020
7	L08812986	2	WASHER M3	5711140020
8	145 3824 000	1	FUSE 40A	5711140009
9	33005912	3	WASHER M5 UNI6592	5711140067
0A	146 1986 000	1	CHARGER PLUG SB-120 RED	ONLY VERSION WITHOUT BATTERY CHARGER ON BOARD 5711140042
10	145 1449 000	3	CLAMP 3.6X140	5711140023
11	33003947	3	SCREW M4X10 UNI5739	5711140061
12	33005838	2	WASHER M4 UNI1751B	5711140066
13	33005839	2	WASHER M5 UNI1751B	5711140067
15	145 5743 000	3	NUT	5711140029
16	145 8513 000	1	FUSE 30A	5711140009
17	33003960	2	SCREW M5X12 UNI5739	5711140061
18	145 9237 000	1	WASHER 4X12X1 UNI6593	5711140022
19	33003948	2	SCREW M4X12 UNI5739	5711140061
20	146 0622 000	1	SCREW GRUB M5X12 UNI5929	5711140033
21	146 0660 000	1	HOLDER FUSE	5711140033
22	909 5127 000	1	SWITCH ELECTROMAGNETIC 24V	5711140121
23	909 6622 000	1	RELAY 24V 40A	5711140129
24	9097034000	1	HARNES ELECTRIC BOX	5711140132
14B	145 6132 000	3	INSERT M5	ONLY VERSION WITH BATTERY CHARGER ON BOARD 5711140031
25B	909 6541 000	1	CHARGER BATTERY 24V 13A 230V	ONLY VERSION WITH BATTERY CHARGER ON BOARD 5711140128
26B	33005839	3	WASHER M5 UNI1751B	ONLY VERSION WITH BATTERY CHARGER ON BOARD 5711140067
27B	145 1261 000	3	PLAIN WASHER 5 X 15 ZN	ONLY VERSION WITH BATTERY CHARGER ON BOARD 5711140022
28B	146 1711 000	3	SCREW M5X20 UNI7687	ONLY VERSION WITH BATTERY CHARGER ON BOARD 5711140040
29B	909 5633 000	1	CABLE EXTENTION	ONLY VERSION WITH BATTERY CHARGER ON BOARD 5711140123
29B	909 5676 000	1	CABLE EXTENTION UK PLUG	ONLY VERSION WITH BATTERY CHARGER ON BOARD 5711140123
29B	9096914000	1	CABLE EXTENSION	ONLY VERSION WITH BATTERY CHARGER ON BOARD 5711140131
30B	909 5313 000	1	PLATE INSPECTION, TRANSP.	ONLY VERSION WITH BATTERY CHARGER ON BOARD 5711140122

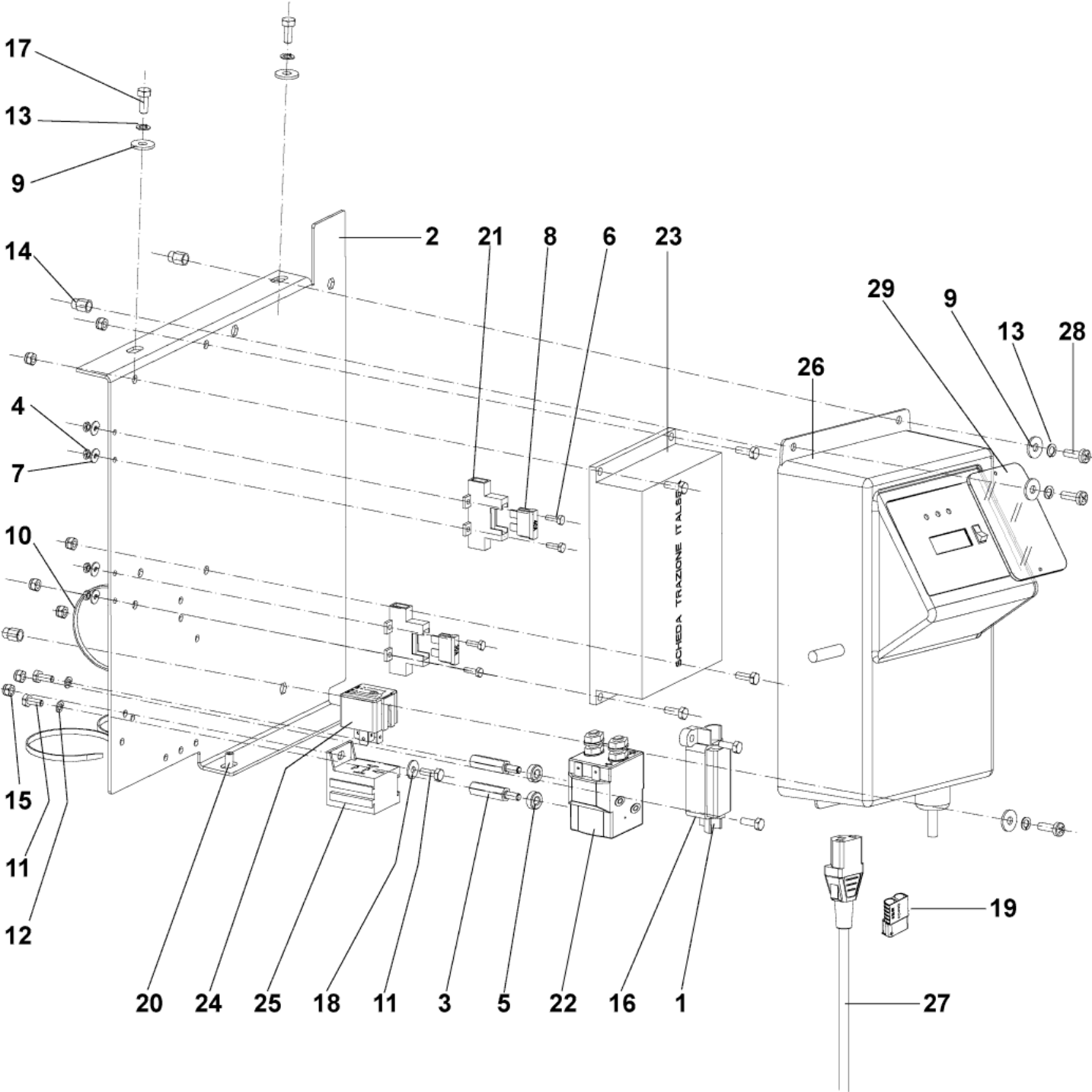
Electrical components (545BL - 533BL)

SCRUBTEC 545B - 545BL - 553B - 553BL

27-11-2008

Part List ID
SCRUBTEC545B21

44



Electrical components (545BL - 533BL)

SCRUBTEC 545B - 545BL - 553B - 553BL

27-11-2008

Part List ID
SCRUBTEC545B21

45

Pos	Part no.	Qty	Description	EAN
0	80564400	2	BATTERY CH15-1000 100 AH5 CH6-1300-430 CH20-451-611	
0	909 6618 000	1	HARNESS BATTERY	5711140129
0	909 6840 000	1	HARNESS VACUUM MOTOR	5711140130
0	9096964000	1	HARNESS ELECTRIC BOX	5711140131
0	9096972000	1	HARNESS MACHINE	5711140131
0	9097590000	1	CABLE BATTERY INTERCONNECTION	5711140134
1	145 8046 000	1	FUSE HOLDER	5711140009
2	909 6498 000	1	SUPPORT.ELECTRONIC COMP.	5711140128
3	909 6676 000	2	SPACER M4 L25	5711140129
4	33005499	4	NUT HEX M3 UNI5588	5711140085
5	L08812801	2	SPACER	5711140019
6	L08812964	4	SCREW M3X10 UNI5739	5711140020
7	L08812986	4	WASHER M 3	5711140020
8	145 8513 000	2	FUSE 30A	5711140009
10	145 1449 000	3	CLAMP 3.6X140	5711140023
11	33003947	3	SCREW M4X10 UNI5739	5711140061
12	33005838	2	WASHER M4 UNI1751B	5711140066
15	145 5743 000	7	NUT	5711140029
16	145 3824 000	1	FUSE 40A	5711140009
17	33003960	2	SCREW M5X12 UNI5739	5711140061
18	145 9237 000	1	WASHER 4X12X1 UNI6593	5711140022
20	146 0622 000	1	SCREW GRUB M5X12 UNI5929	5711140033
21	146 0660 000	2	HOLDER FUSE	5711140033
22	909 5127 000	1	SWITCH ELECTROMAGNETIC 24V	5711140121
23	9096908000	1	CARD ELECTRONIC TRACTION	5711140131
24	909 6622 000	1	RELAY 24V 40A	5711140129
25	9096964000	1	HARNESS ELECTRIC BOX	5711140131
29	909 5313 000	1	PLATE INSPECTION,TRANSP.	5711140122
9B	33005912	3	WASHER M5 UNI6592	ONLY VERSION WITH BATTERY CHARGER ON BOARD 5711140067
13B	33005839	2	WASHER M5 UNI1751B	ONLY VERSION WITH BATTERY CHARGER ON BOARD 5711140067
14B	145 6132 000	3	INSERT M5	ONLY VERSION WITH BATTERY CHARGER ON BOARD 5711140031
19A	146 1986 000	1	CHARGER PLUG SB-120 RED	ONLY VERSION WITHOUT BATTERY CHARGER ON BOARD 5711140042
26B	909 6541 000	1	CHARGER BATTERY 24V 13A 230V	ONLY VERSION WITH BATTERY CHARGER ON BOARD 5711140128
27B	909 5633 000	1	CABLE EXTENTION	ONLY VERSION WITH BATTERY CHARGER ON BOARD 5711140123
27B	909 5676 000	1	CABLE EXTENTION UK PLUG	ONLY VERSION WITH BATTERY CHARGER ON BOARD 5711140123
27B	9096914000	1	CABLE EXTENSION	ONLY VERSION WITH BATTERY CHARGER ON BOARD 5711140131
28B	146 1711 000	3	SCREW M5X20 UNI7687	ONLY VERSION WITH BATTERY CHARGER ON BOARD 5711140040

Battery charger accessory kit

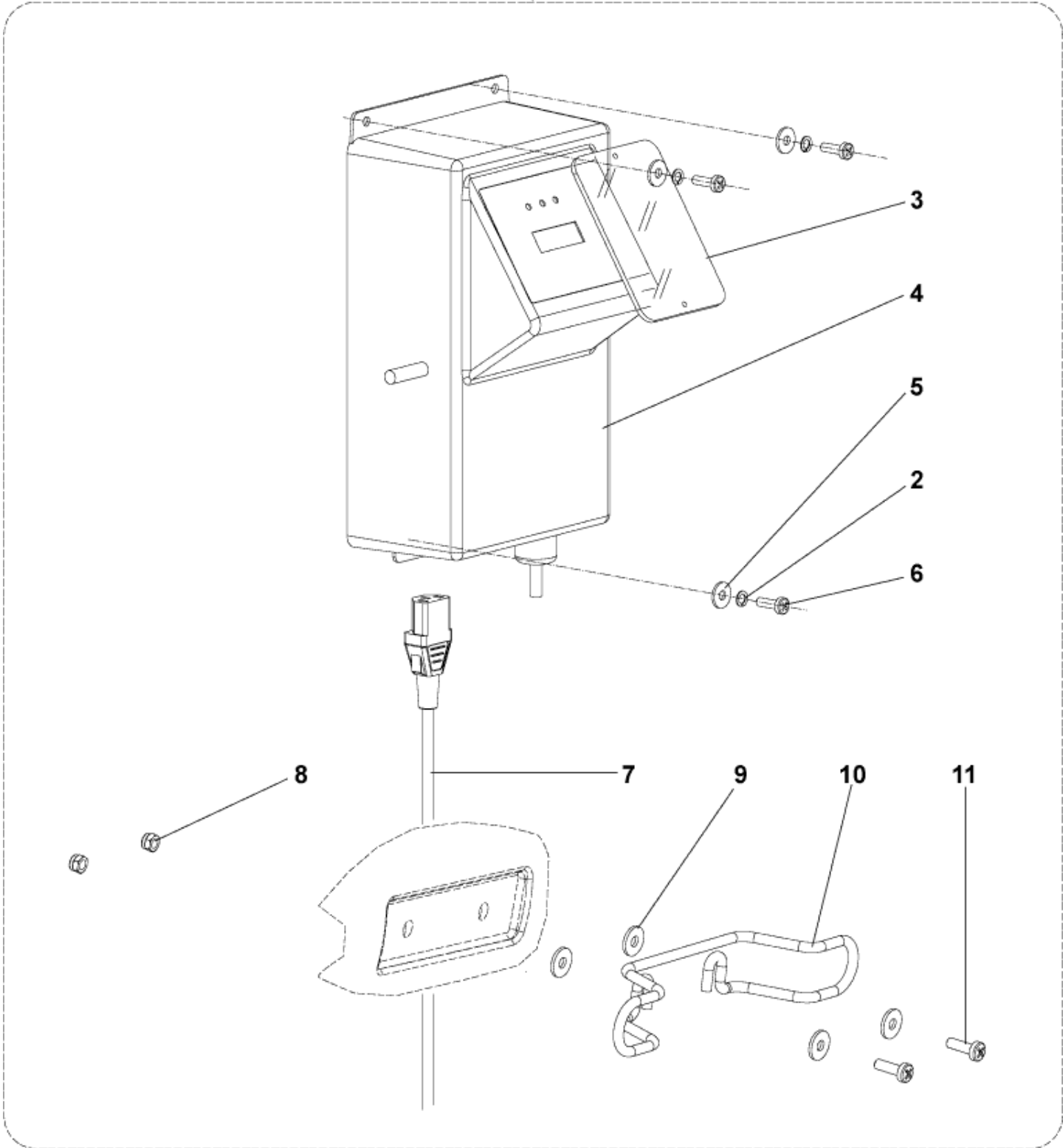
SCRUBTEC 545B - 545BL - 553B - 553BL

27-11-2008

Part List ID
SCRUBTEC545B22

46

1



Battery charger accessory kit

SCRUBTEC 545B - 545BL - 553B - 553BL

27-11-2008

Part List ID
SCRUBTEC545B22

47

Pos	Part no.	Qty	Description	EAN
0	909 6746 000	1	INSTRUCTIONS INSTALLATIONBATTERY CHARGER	5711140130
1	909 6739 000	1	CHARGER BATTERY CPL KIT	5715492037

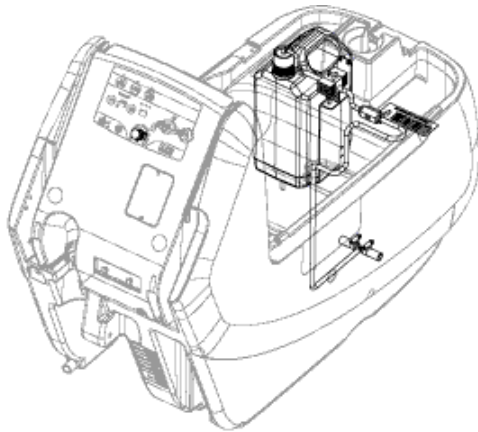
Chemical mixing accessory kit

SCRUBTEC 545B - 545BL - 553B - 553BL

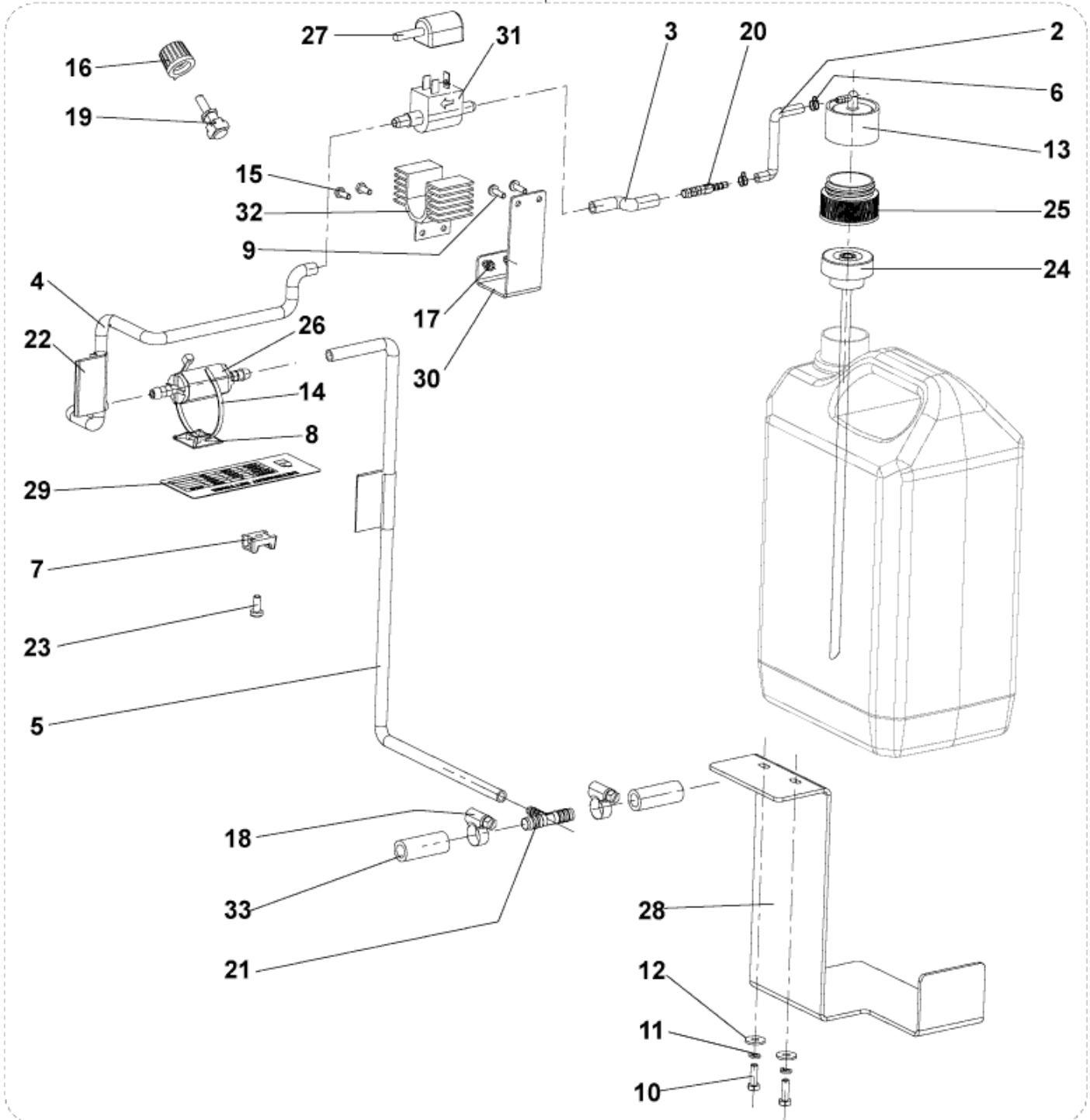
27-11-2008

Part List ID
SCRUBTEC545B23

48



1



Chemical mixing accessory kit

SCRUBTEC 545B - 545BL - 553B - 553BL

27-11-2008

Part List ID
SCRUBTEC545B23

49

Pos	Part no.	Qty	Description	EAN
0	9097174000	1	PIPES CHEMICAL MIX KIT	5711140132
1	9097163000	1	EDS KIT	5715492037
13	56315523	1	CAP, DRY BREAK, 1/8 BARB	
16	145 4719 000	1	KNOP FOR POTENTIOMETER	5711140026
19	909 5479 000	1	POTENTIOMETER 50K	5711140122
20	909 6090 000	1	RUBBER HOLDER STRAIGHT	5711140126
21	909 6092 000	1	HOLDER RUBBER T	5711140126
24	9097022000	1	SENSOR CHEMICAL MIX LEVEL	5711140132
25	9097023000	1	ADAPTOR CHEMICAL TANK	5711140132
26	9097030000	1	VALVE ONE-WAY 1/4	5711140132
27	9097041000	1	CABLE CHEMICAL PUMP	5711140132
28	9097082000	1	BRACKET CHEMICAL TANK	5711140132
30	9097161000	1	BRACKET PUMP SUPPORT	5711140132
31	53721A	1	PUMP CHEMICAL	5711143045
32	61772A	1	BRACKET CHEMICAL PUMP	5711143060

Recommended spare parts(545B - 545BL - 553B

SCRUBTEC 545B - 545BL - 553B - 553BL

27-11-2008

Part List ID
SCRUBTEC545B24

50

No Drawing For Part List

Recommended spare parts(545B - 545BL - 553B

SCRUBTEC 545B - 545BL - 553B - 553BL

27-11-2008

Part List ID
SCRUBTEC545B24

51

Pos	Part no.	Qty	Description		EAN
	909 6878 000	1	HARDWARE CHAS. FIXING KIT	SCRUBTEC 653B - 653BL - 651BCL- 661BL	5711140130
	909 6879 000	1	WHEEL CASTOR SS KIT	SCRUBTEC 653BL - 651BCL- 661BL	5711140130
	909 6880 000	1	WHEEL REAR CASTOR KIT	SCRUBTEC 653B	5711140130

Drive wheel system (Recommended spare part)

SCRUBTEC 545B - 545BL - 553B - 553BL

27-11-2008

Part List ID
SCRUBTEC545B25

52

No Drawing For Part List

Drive wheel system (Recommended spare part)

SCRUBTEC 545B - 545BL - 553B - 553BL

27-11-2008

Part List ID
SCRUBTEC545B25

53

Pos	Part no.	Qty	Description		EAN
	145 5124 000	1	CARBON BRUSH	SCRUBTEC 653BL - 651BCL- 661BL	5711140027
	909 6548 000	1	MOTOR DRIVE 200W 24V	SCRUBTEC 653BL - 651BCL- 661BL	5711140128
	9097085000	1	WHEEL FRONT D.250 BLUE	SCRUBTEC 653B	5711140132
	9097087000	1	WHEEL FRONT D.250 DRIVE BLUE	SCRUBTEC 653BL - 653BCL- 661BL	5711140132

Solution system (Recommended spare parts)

SCRUBTEC 545B - 545BL - 553B - 553BL

27-11-2008

Part List ID
SCRUBTEC545B26

54

No Drawing For Part List

Solution system (Recommended spare parts)

SCRUBTEC 545B - 545BL - 553B - 553BL

27-11-2008

Part List ID
SCRUBTEC545B26

55

Pos	Part no.	Qty	Description	EAN
0	909 5065 000	1	FILTER	SCRUBTEC 653B - 653BL - 651BCL- 661BL 5711140120
	909 6085 000	1	PIPE FITTING 1/2 D.13	SCRUBTEC 653B - 653BL - 651BCL- 661BL 5711140125
	909 6555 000	1	SOLENOID VALVE 24V	SCRUBTEC 653B - 653BL - 651BCL- 661BL 5711140128
	909 6637 000	1	HOLDER RUBBER 90Ø D.10	SCRUBTEC 653B - 653BL - 651BCL- 661BL 5711140129
	9097028000	1	VALVE ELBOW	SCRUBTEC 653BL - 651BCL- 661BL 5711140132
	9097154000	1	FILTER COMPLETE KIT	SCRUBTEC 653B - 653BL - 651BCL- 661BL 5711140132
	9097171000	1	PIPES SOLENOID VALVE KIT	SCRUBTEC 653B - 653BL - 651BCL- 661BL 5711140132

Electrical system (Recommended spare part

SCRUBTEC 545B - 545BL - 553B - 553BL

27-11-2008

Part List ID
SCRUBTEC545B27

56

No Drawing For Part List

Electrical system (Recommended spare part

SCRUBTEC 545B - 545BL - 553B - 553BL

27-11-2008

Part List ID
SCRUBTEC545B27

57

Pos	Part no.	Qty	Description		EAN
	145 3824 000	1	FUSE 40A	SCRUBTEC 653B - 653BL - 661BL	5711140009
	145 8360 000	1	CARBON BRUSH	SCRUBTEC 651BCL	5711140000
	145 8368 000	1	FUSE 3A	SCRUBTEC 653B - 653BL - 661BL	5711140009
	145 8513 000	1	FUSE 30A	SCRUBTEC 653B - 653BL - 661BL	5711140009
	146 1986 000	1	CHARGER PLUG SB-120 RED	SCRUBTEC 653B - 653BL - 651BCL- 661BL	5711140042
	909 5127 000	1	SWITCH ELECTROMAGNETIC 24V	SCRUBTEC 653B - 653BL - 651BCL- 661BL	5711140121
	909 5371 000	1	CARBON BRUSH	SCRUBTEC 653B - 653BL - 651BCL- 661BL	5711140122
	909 5380 000	1	CARBON BRUSH	SCRUBTEC 653B - 653BL	5711140122
	909 6490 000	1	GASKET VACUUM MOTOR	SCRUBTEC 653B - 653BL - 651BCL- 661BL	5711140128
	909 6491 000	1	PANEL ACOUSTIC INSULATION	SCRUBTEC 653B - 653BL - 651BCL- 661BL	5711140128
	909 6541 000	1	CHARGER BATTERY 24V 13A 230V	ALL SCRUBTEC MODELS WITH BATTERY GER ON BOARD	5711140128
	909 6622 000	1	RELAY 24V 40A	SCRUBTEC 653B - 653BL - 651BCL- 661BL	5711140129
	909 6672 000	1	FILTER	SCRUBTEC 653B - 653BL - 651BCL- 661BL	5711140129
	909 6678 000	1	FUSE 20A GLASS DELAYED	SCRUBTEC 653B - 653BL - 661BL	5711140129
	909 6802 000	1	MOTOR VACUUM W/CONNEC.KIT BATTERY VERSION	3TEC 653B - 653BL - 651BCL- 661BL	5711140130
	909 6893 000	1	CARBON BRUSH KIT -4PCS-	SCRUBTEC 661BL	5711140131
	9096908000	1	CARD ELECTRONIC TRACTION	SCRUBTEC 653B - 653BL - 651BCL- 661BL	5711140131
	9096918000	1	GASKET. VACUUM MOTOR	SCRUBTEC 653B - 653BL - 651BCL- 661BL	5711140131
	9097042000	1	CARD ELECTRONIC	SCRUBTEC 653B - 653BL - 651BCL- 661BL	5711140132
	9097043000	1	POTENTIOMETER	SCRUBTEC 653BL - 651BCL - 661BL	5711140132