

Preisabfragen und Bestellungen der Artikel im Shop unter

[www.wapalto-shop.de](http://www.wapalto-shop.de)

(einfach Artikelnummer in die Suchmaske eingeben)

**SQ 550-01**

**SQ 550-11**

**SQ 550-21**

**SQ 550-31**



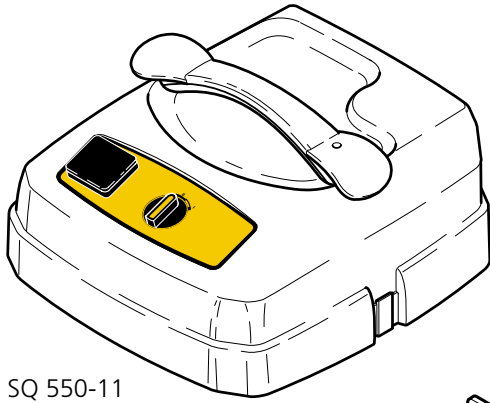
**Spare parts**  
**Ersatzteile**  
**Pièces détachées**

65160  
011199

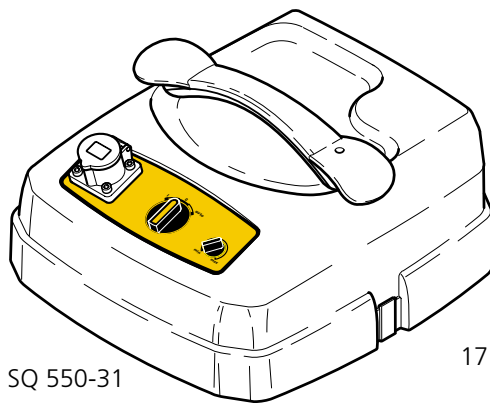
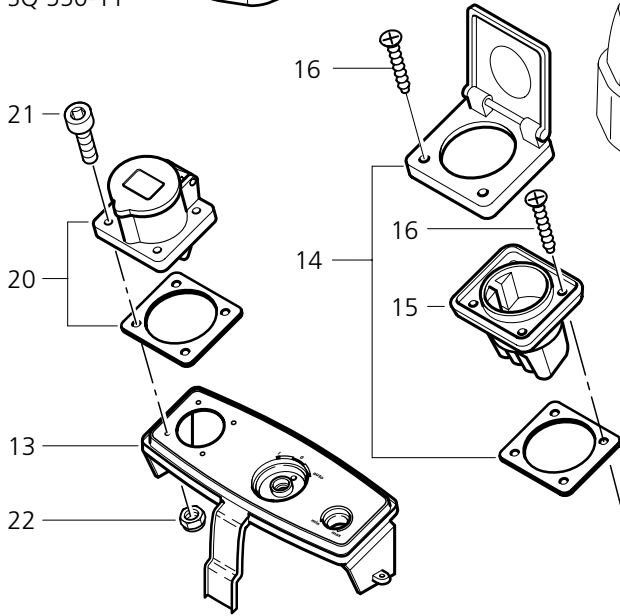
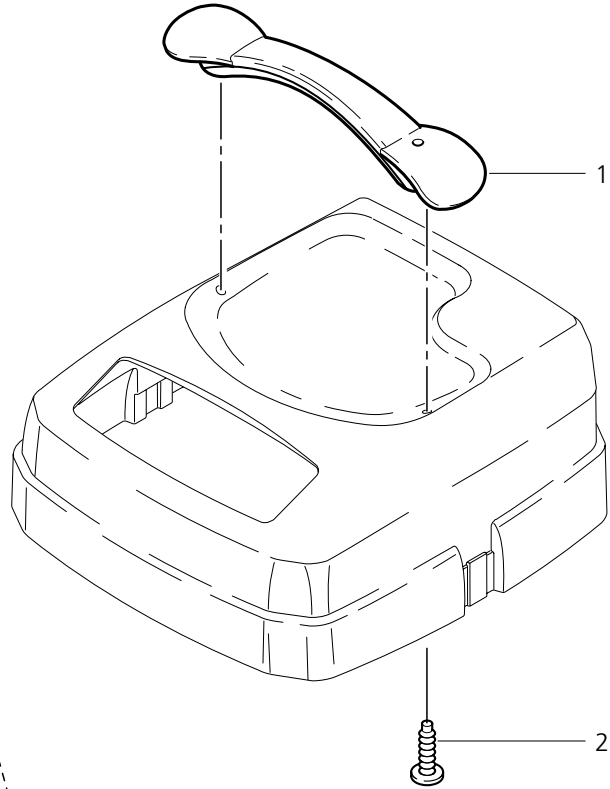
**ALTO<sup>®</sup>**

**Total Cleaning  
Confidence<sup>™</sup>**

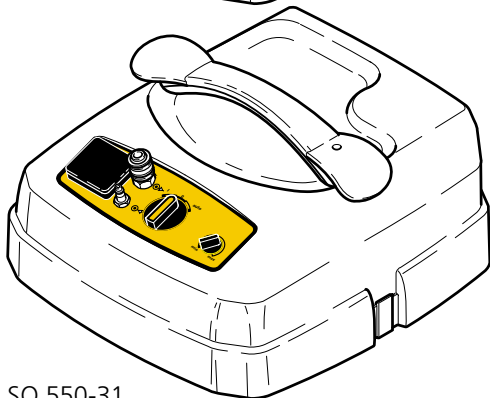
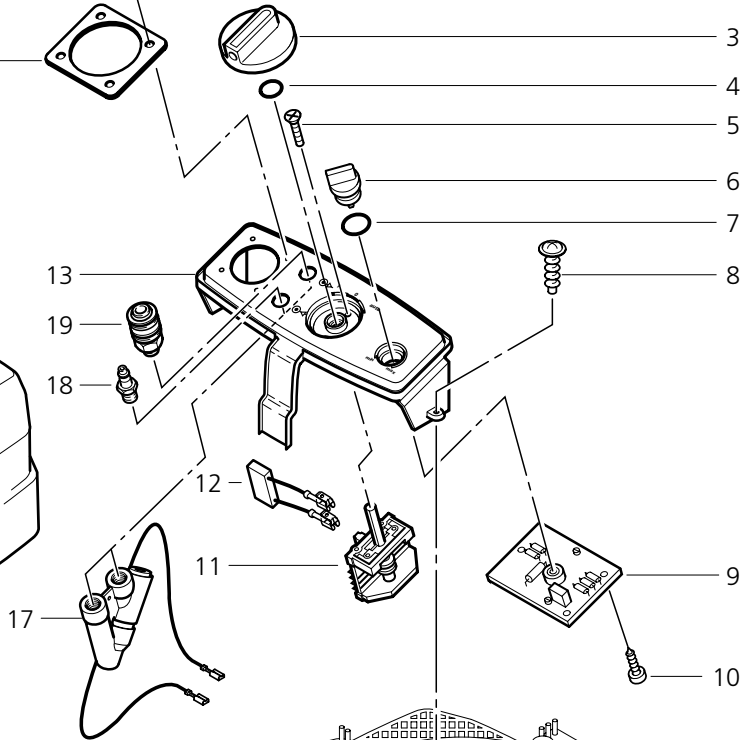
**WAP**  
**TECHNOLOGY**



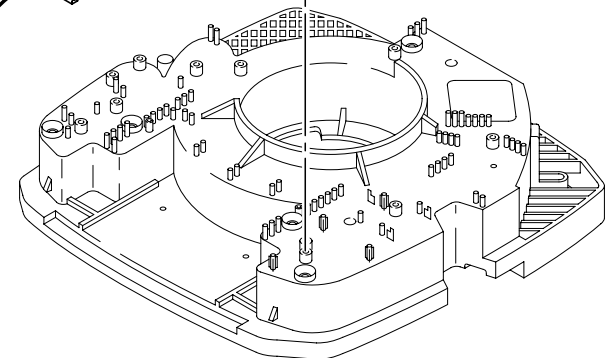
SQ 550-11



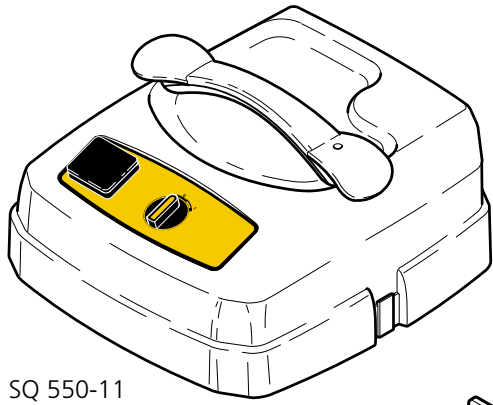
SQ 550-31



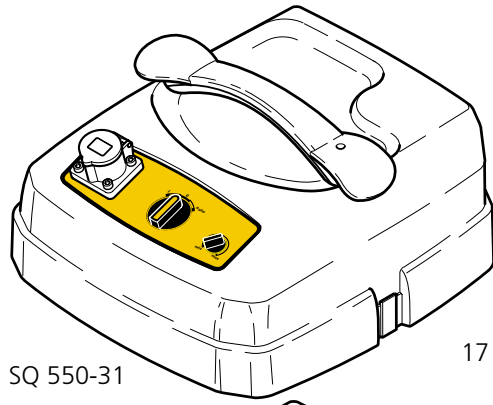
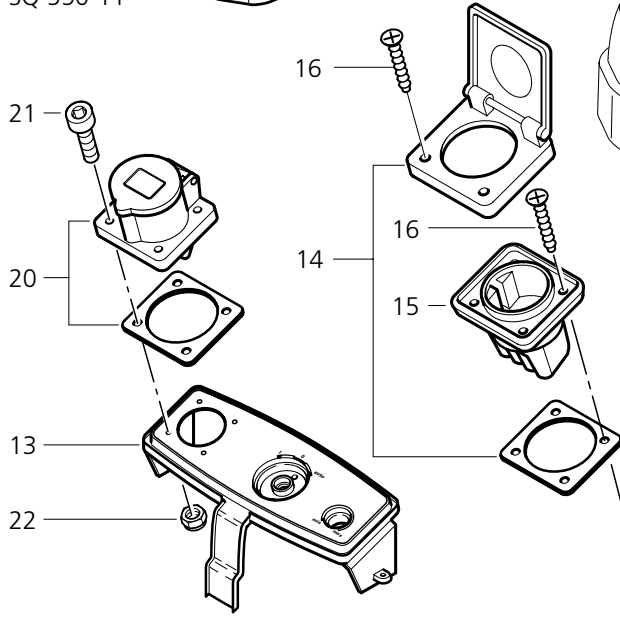
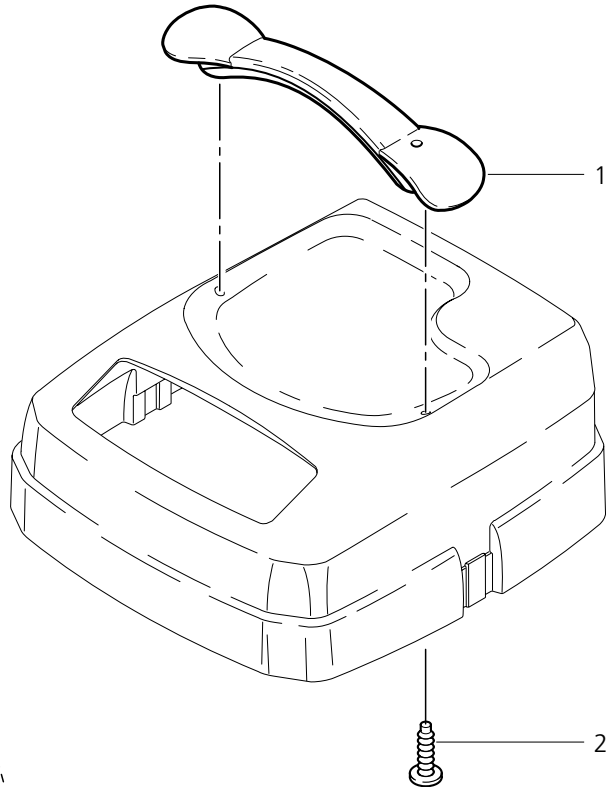
SQ 550-31



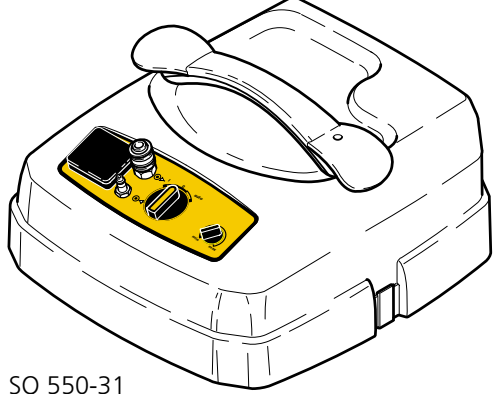
| POS. | NO.    | BEZEICHNUNG   | DESCRIPTION                | DESIGNATION                     |
|------|--------|---|----------------------------|---------------------------------|
| 1    | 26801  | Griff   | Handle                     | Poignée                         |
| 2    | 10029  | Schraube KA5,0x25                                   | Screw KA5,0x25             | Vis KA5,0x25                    |
| 3    | 243611 | Drehknopf   |                            |                                 |
| 4    | 9868   | O-Ring 10x2,5                                       | O-Ring 10x2,5              | Joint torique 10x2,5            |
| 5    | 18274  | Schraube Senk- M 4x 12                              | Countersunk screw M4x12    | Vis à tête fraisée M4x12 DIN 96 |
| 6    | 43694  | Drehknopf<br>SQ 550-21, SQ 550-31                   | Turning knob               | Bouton                          |
| 7    | 32257  | O-Ring 21,0 x1,5<br>SQ 550-21, SQ 550-31            | O-Ring 21,0x1,5            | Joint torique 21,0x1,5          |
| 8    | 11254  | Schraube KA3,5x10                                   | Screw KA3,5x10             | Vis KA3,5x10                    |
| 9    | 25999  | Einschaltautomatik 100-120V<br>SQ 550-31 *GB,110 V* |                            |                                 |
|      | 28816  | Einschaltautomatik<br>SQ 550-21, SQ 550-31          | Autom.switch on/off system | Disp. autom. mise en marche     |
| 10   | 4036   | Schraube BI- 2,9x 9,5<br>SQ 550-21, SQ 550-31       | Sheet metal screw 2,9x9,5  | Vis autotaraudeuse 2,9x9,5 DIN  |
| 11   | 29989  | Schalter<br>SQ 550-01, SQ 550-11                    | Switch                     | Interrupteur                    |
|      | 48728  | Schalter<br>SQ 550-21, SQ 550-31                    | Switch                     | Interrupteur                    |
| 12   | 48338  | Entstörfilter<br>SQ 550-01, SQ 550-11               | Screening filter           | Filtre antiparasite             |
| 13   | 65197  | Schaltkasten<br>SQ 550-11                           |                            |                                 |
|      | 65198  | Schaltkasten<br>SQ 550-21                           |                            |                                 |
|      | 65199  | Schaltkasten<br>SQ 550-31                           |                            |                                 |
|      | 65203  | Schaltkasten<br>SQ 550-01                           |                            |                                 |
| 14   | 46297  | Klappdeckelrahmen                                   | Hinged cover frame         | Cadre de couvercle rabattant    |
| 15   | 46296  | Steckdose *D*<br>*EU*                               | Plug socket *D*            | Prise électrique *D*            |
|      | 48278  | Steckdose *GB*<br>*GB,230 V*                        | Plug socket *GB*           | Prise électrique *GB*           |
|      | 48287  | Steckdose *CH*                                      | Plug socket *CH*           | Prise électrique *CH*           |
| 16   | 46248  | Schraube KA3,5x18                                   | Screw KA3,5x18             | Vis KA3,5x18                    |



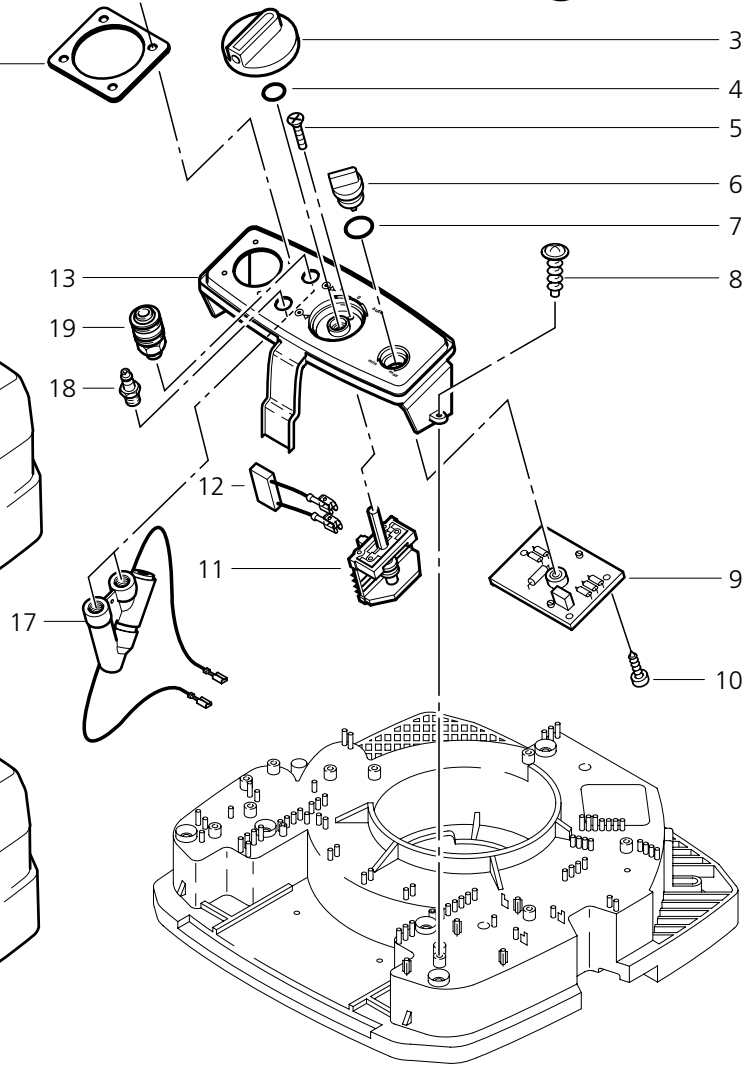
SQ 550-11



SQ 550-31

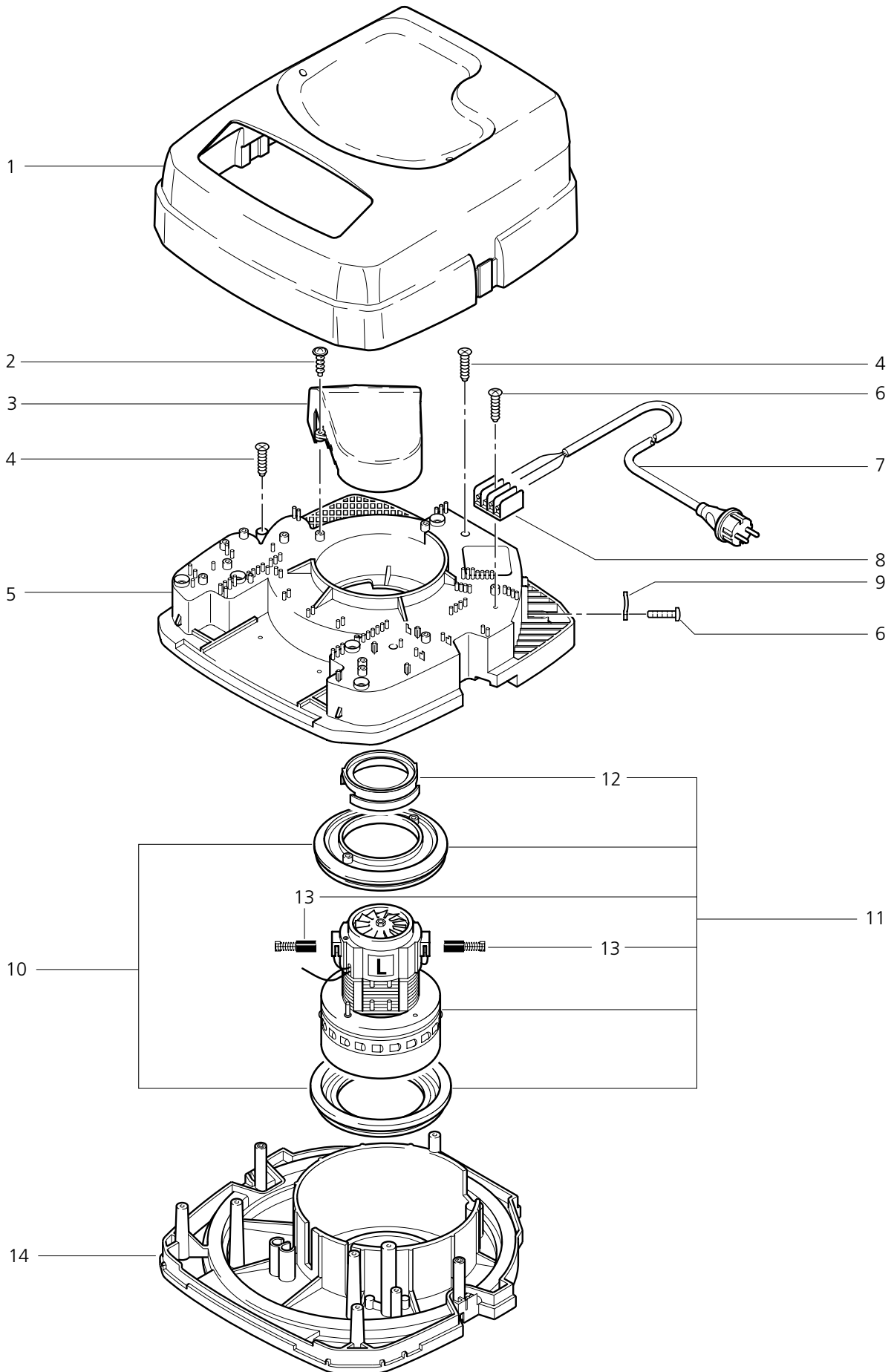


SQ 550-31



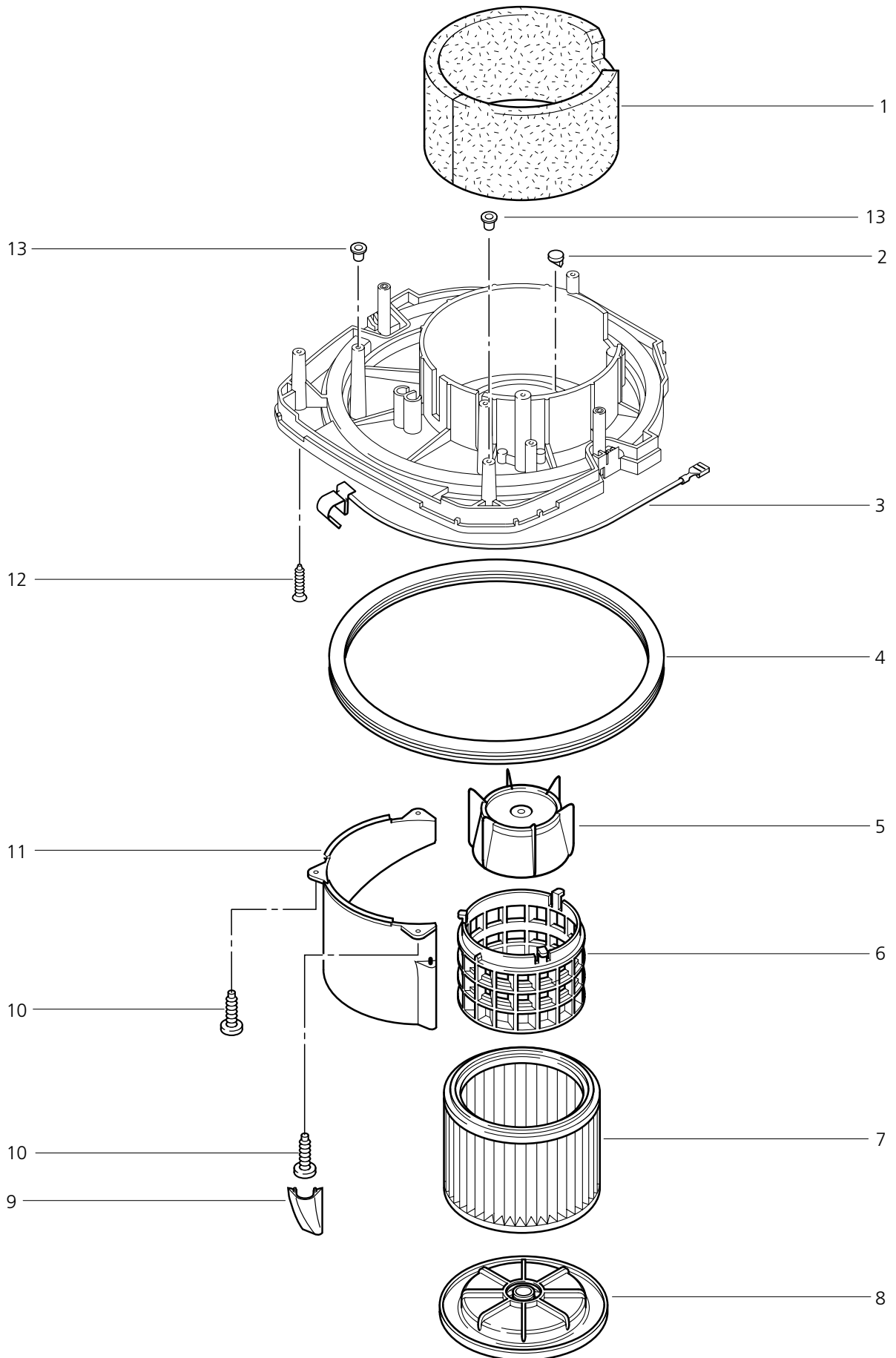
| POS. | NO.   | BEZEICHNUNG                                       | DESCRIPTION            | DESIGNATION             |
|------|-------|---|------------------------|-------------------------|
| 17   | 60392 | Strömungswächter<br>SQ 550-31                     |                        |                         |
| 18   | 14809 | Nippel<br>SQ 550-31                               | Connecting Piece       | Raccord                 |
| 19   | 14808 | Schlauchkupplung<br>SQ 550-31                     |                        |                         |
| 20   | 43238 | Steckdose Cee 2p+Pe110/16<br>SQ 550-31 *GB,110 V* |                        |                         |
| 21   |       | Zyl. Schraube M 5x 20 A2<br>SQ 550-31 *GB,110 V*  |                        |                         |
| 22   |       | Mutter M 5<br>SQ 550-31 *GB,110 V*                | Hexagon nut M5 DIN 985 | Ecrou 6 pans M5 DIN 985 |

SQ550-01  
SQ550-11  
SQ550-21  
SQ550-31

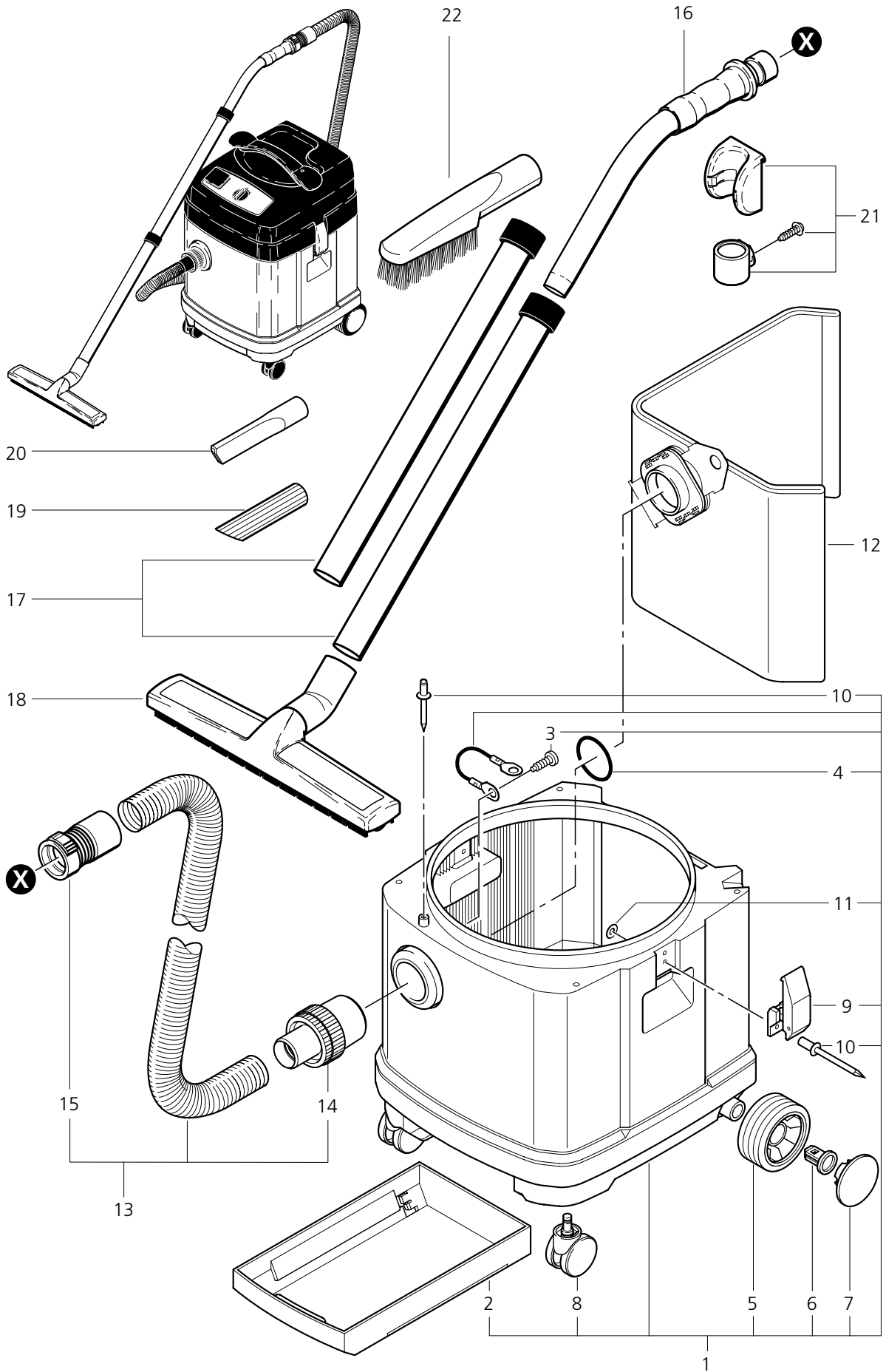


| POS. | NO.   | BEZEICHNUNG                                       | DESCRIPTION               | DESIGNATION                     |
|------|-------|---|---------------------------|---------------------------------|
| 1    | 26803 | Haube   | Cover                     | Capot                           |
| 2    | 24738 | Schraube KA3,5x 8                                 | Screw KA3,5x 8            | Vis KA3,5x 8                    |
| 3    | 25700 | Luftkanal   | Air diverter              | Bavette complète                |
| 4    | 11253 | Schraube KA5,0x20                                 | Screw KA5,0x20            | Vis KA5,0x20                    |
| 5    | 44240 | Spannplatte                                       | Clamping plate            | Plaque de serrage               |
| 6    | 11256 | Schraube KA3,5x18                                 | Screw KA3,5x18            | Vis KA3,5x18                    |
| 7    | 14885 | Netzleitung 3G1,5x 7,5<br>*EU*                    | Power cable 3G1,5x 7,5    | Câble électrique 3G1,5x 7,5     |
|      | 15274 | Netzleitung 3G1,5x 7,5<br>*GB,230 V*              | Power cable 3G1,5x 7,5    | Câble électrique 3G1,5x 7,5     |
|      | 60442 | Netzleitung 3G1,0x 7,5*CH*<br>*CH*                | Power cable 3G1,0x 7,5*CH | Câble électrique 3G1,0x 7,5*    |
|      | 62016 | Netzleitung 3G2,5x7,5*GB*<br>SQ 550-31 *GB,110 V* | Power cable 3G2,5x7,5*GB  | Câble électrique 3G2,5x7,5*     |
|      | 62502 | Netzleitung<br>*JP*                               |                           |                                 |
| 8    | 48421 | Verteilerleiste                                   | Terminal strip            | Bornier                         |
| 9    | 5697  | Lasche  | Strap 3x8x33              | Eclisse 3x8x33                  |
| 10   | 28875 | Motorlagerring Set<br>bei Kennbuchstabe "L" + "M" | Motor bearing             | Anneau de centrage              |
|      | 42538 | Motorlagerring Set<br>bei Kennbuchstabe "C"       | Motor bearing             | Anneau de centrage              |
| 11   | 26783 | E-Motor Turbo 100V 1200W<br>100 V / 1200 W        |                           |                                 |
|      | 26784 | E-Motor Turbo 120V 1200W<br>110 - 120 V / 1200 W  |                           |                                 |
|      | 26785 | E-Motor Turbo 120V 1000W<br>120 V / 1000 W        | Electric motor 120V 1000W | Moteur électrique 120V 1000     |
|      | 49594 | E-Motor Turbo 230V 1200W<br>220 - 240 V / 1200 W  | Suction motor 230V / 1200 | Moteur d'aspiration 230V / 1200 |
| 12   | 47036 | Manschette  | Rubber ring               | Anneau en caoutchouc            |
| 13   | 26774 | Kohlebürsten-Set 'M'<br>bei Kennbuchstabe "M"     | Carbon brushes 'M'        | Jeu de balai de charbons 'M'    |
|      | 26775 | Kohlebürsten-Set 'L'<br>bei Kennbuchstabe "L"     | Carbon brushes 'L'        | Jeu de balai de charbons 'L'    |
|      | 49625 | Kohlebürsten-Set 'C'<br>bei Kennbuchstabe "C"     | Carbon brushes 'C'        | Jeu de balai de charbons 'C'    |
| 14   | 44239 | Trägerplatte                                      | Carrier plate             | Plaque de support               |

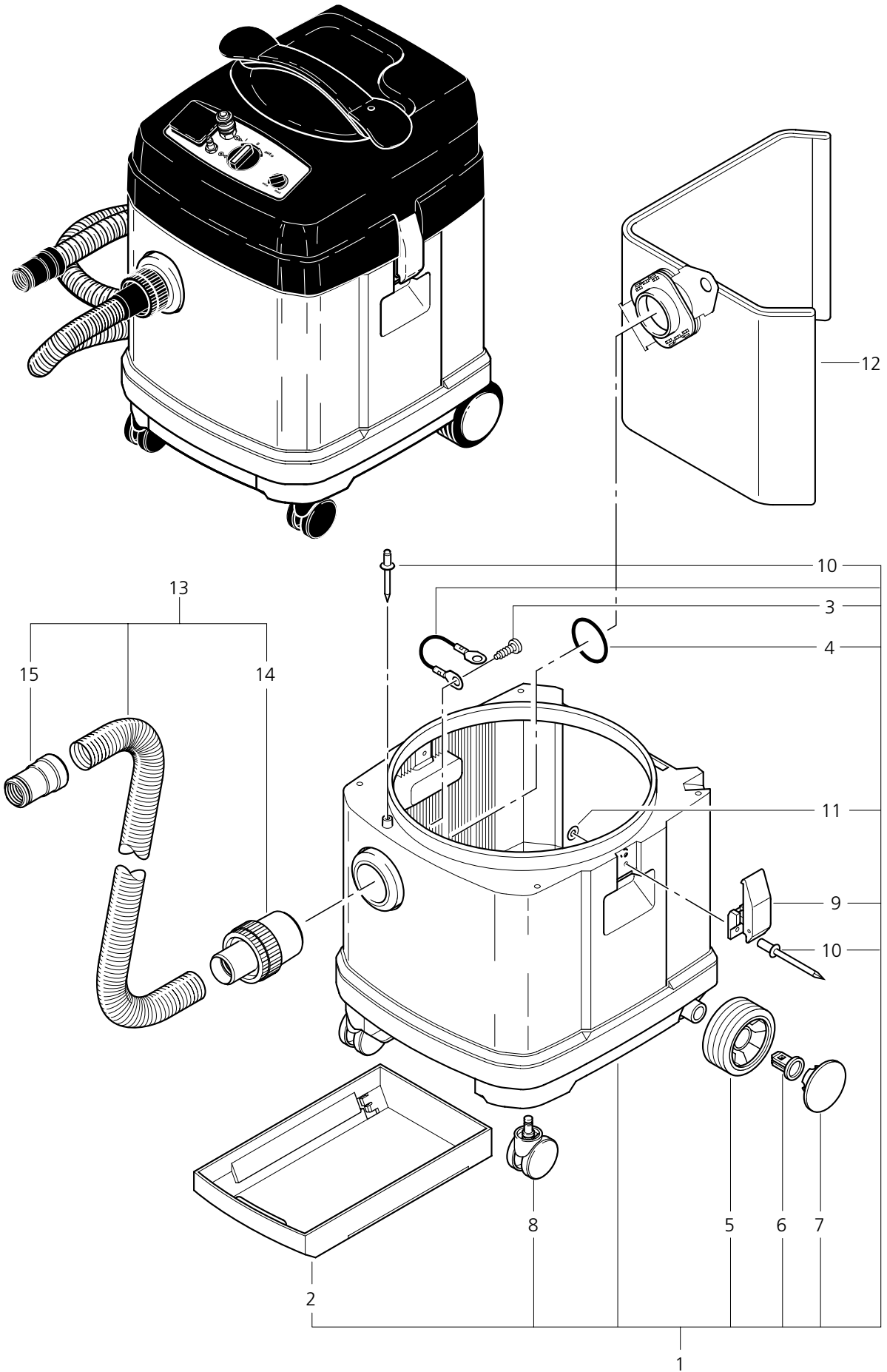




| POS. | NO.   | BEZEICHNUNG                          | DESCRIPTION         | DESIGNATION                |
|------|-------|--------------------------------------|---------------------|----------------------------|
| 1    | 47014 | Dämmplatte                           | Soundproofing liner | Absorbeur                  |
| 2    | 46640 | Scheibe 16,1x2                       | Washer 16,1x2       | Rondelle 16,1x2            |
| 3    | 26792 | Kontaktfeder                         | Contact spring      | Ressort de contact         |
| 4    | 11222 | Dichtring                            | Packing ring        | Anneau d'isolation         |
| 5    | 11835 | Schwimmer                            | Float               | Flotteur                   |
| 6    | 46418 | Filterstützkorb                      | Filter frame        | Panier support filtre      |
| 7    | 11753 | Filterelement                        | Filter element      | Cartouche filtrante        |
|      | 29747 | Filterelement<br>SQ 550-01 *JP*      | Filter element      | Cartouche filtrante        |
| 8    | 11762 | Filterspannscheibe                   | Filter cover        | Couvercle de filtre        |
|      | 29753 | Filterspannscheibe<br>SQ 550-01 *JP* | Filter cover        | Couvercle de filtre        |
| 9    | 47025 | Abdeckung                            | Covering            | Couvercle                  |
| 10   | 11565 | Schraube KA50x18                     | Screw PT 5x18       | Vis autotaraudeuse PT 5x18 |
| 11   | 45692 | Abweiser                             | Deflector           | Plaque protection          |
| 12   | 11253 | Schraube KA5,0x20                    | Screw KA5,0x20      | Vis KA5,0x20               |
| 13   | 48414 | Stopfen                              | Plug                | Bouchon                    |



| POS. | NO.   | BEZEICHNUNG                    | DESCRIPTION             | DESIGNATION                  |
|------|-------|--------------------------------|-------------------------|------------------------------|
| 1    | 65205 | Behälter                       |                         |                              |
| 2    | 42597 | Schublade                      |                         |                              |
| 3    | 41353 | Schraube KA3,5x14              | Screw KA3,5x14          | Vis KA3,5x14                 |
| 4    | 29191 | Dichtring                      | Packing ring            | Anneau d'isolation           |
| 5    | 43433 | Rad                            | Wheel                   | Roue                         |
| 6    | 43975 | Radsicherung                   | Fastening               | Agrafe                       |
| 7    | 65202 | Radkappe                       |                         |                              |
| 8    | 46298 | Lenkrolle                      | Caster                  | Roulette de guidage          |
| 9    | 19880 | Verschußklammer                | Spring catch            | Crochet de verrouillage      |
| 10   | 15889 | Blindniet 4,0x16x8             | Rivet 4,0x16x8 DIN 7337 | Rivet 4,0x16x8 DIN 7337      |
| 11   | 3092  | Scheibe 4,3X0,8 A 125 ZN       | Washer A4,3 DIN 125     | Rondelle A4,3 DIN 125        |
| 12   | 28688 | Filtersack SQ5 VPE 5 "Neutral" |                         |                              |
| 13   | 46948 | Saugschlauch 36x 3000          | Suction hose D36x3000mm | Tuyau d'aspiration D36x3000r |
| 14   | 15102 | Schlauchmuffe D 36             | Hose socket             | Manchon                      |
| 15   | 46690 | Schlauchmuffe D 36             | Hose socket DN 36       | Manchon DN 36                |
| 16   | 46691 | Handrohr gebogen, VA           |                         |                              |
| 17   | 15546 | Verlängerungsrohr 2-teilig VA  | Extension tube          | Tuyau de rallonge            |
| 18   | 60356 | Profi-Bodendüse DN36           |                         |                              |
| 19   | 5067  | Schrägrohrdüse                 | Rubber nozzle           | Embout en caoutchouc         |
| 20   | 6084  | Fugendüse DN 36                | Crevice tool DN 36      | Embout pour jointures DN 36  |
| 21   | 29758 | Halter                         | Support                 | Support                      |
| 22   | 6086  | Bürstendüse                    | Brush nozzle            | Embout à brosse              |



| POS. | NO.   | BEZEICHNUNG                    | DESCRIPTION             | DESIGNATION             |
|------|-------|--------------------------------|-------------------------|-------------------------|
| 1    | 65205 | Behälter                       |                         |                         |
| 2    | 42597 | Schublade                      |                         |                         |
| 3    | 41353 | Schraube KA3,5x14              | Screw KA3,5x14          | Vis KA3,5x14            |
| 4    | 29191 | Dichtring                      | Packing ring            | Anneau d'isolation      |
| 5    | 43433 | Rad                            | Wheel                   | Roue                    |
| 6    | 43975 | Radsicherung                   | Fastening               | Agrafe                  |
| 7    | 65202 | Radkappe                       |                         |                         |
| 8    | 46298 | Lenkrolle                      | Caster                  | Roulette de guidage     |
| 9    | 19880 | Verschlussklammer              | Spring catch            | Crochet de verrouillage |
| 10   | 15889 | Blindniet 4,0x16x8             | Rivet 4,0x16x8 DIN 7337 | Rivet 4,0x16x8 DIN 7337 |
| 11   | 3092  | Scheibe 4,3X0,8 A 125 ZN       | Washer A4,3 DIN 125     | Rondelle A4,3 DIN 125   |
| 12   | 28688 | Filtersack SQ5 VPE 5 "Neutral" |                         |                         |
| 13   | 15325 | Saugschlauch 27x 3500 As       | Suction hose            | Tuyau d'aspiration      |
| 14   | 15369 | Schlauchmuffe D 27             | Hose socket DN 27       | Manchon DN 27           |
| 15   | 18195 | Schlauchmuffe D 27             | Hose socket DN 27       | Manchon DN 27           |

## NOTIZEN

