

IVB 5/7

Model:
IVB 5 H
IVB 5 M
IVB 7 H
IVB 7 M



Part List English

24-12-2013

Table of Contents

IVB 5/7

Cabinet, switch box	3
Base, motor	5
Filter, cleaning system	7
Container IVB 5	9
Container IVB 7	11
Frame	13
Antistat kit 38 mm	15
Mach. kit 38 mm polyurethan	17
Mac/floor kit 38 mm polyurethan	19
Mac/floor 38 mm rubber	21
RECOMMENDED SPARE PARTS	23

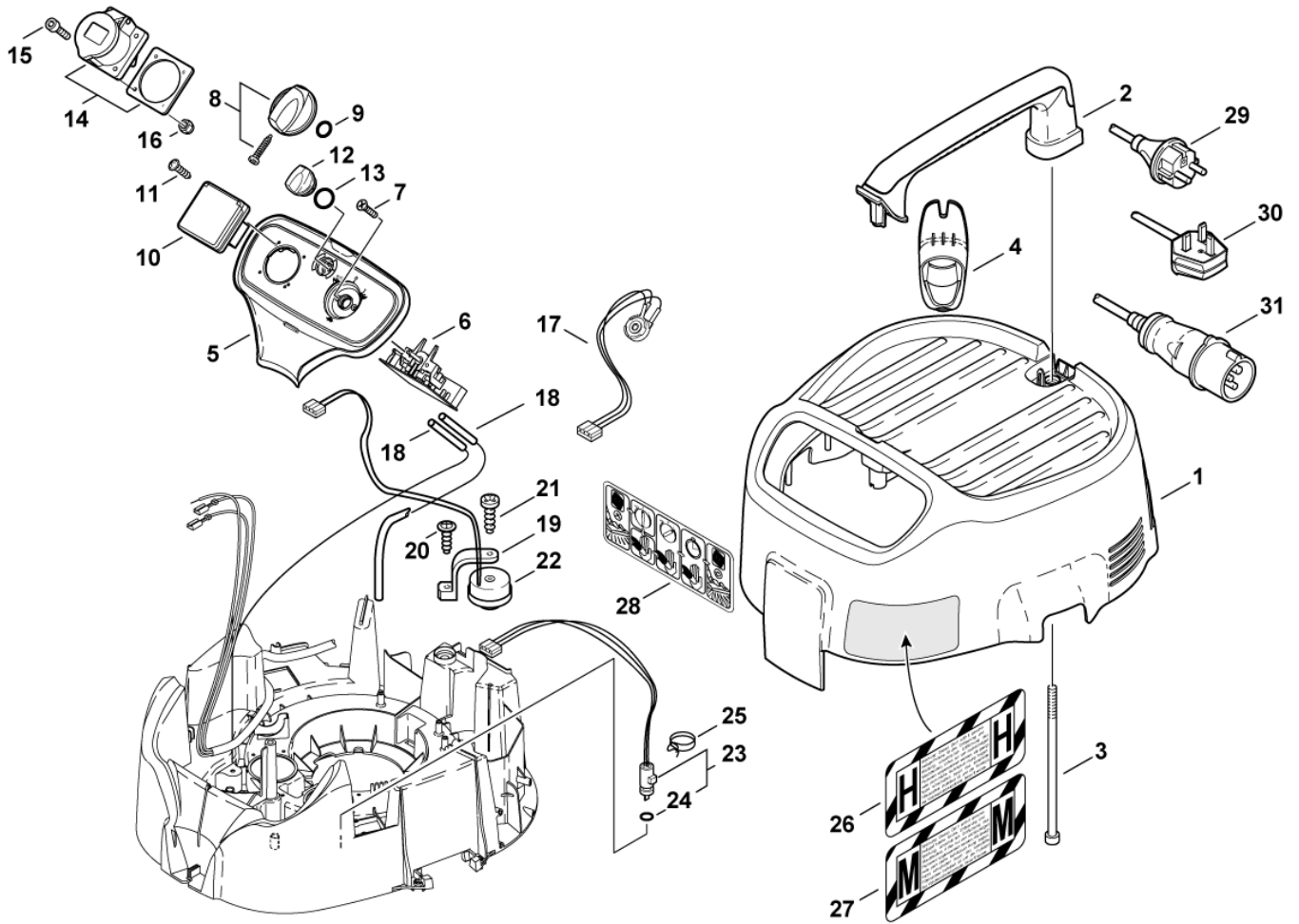
Cabinet, switch box

IVB 5/7

24-12-2013

Part List ID
G24633

3



Cabinet, switch box

IVB 5/7

24-12-2013

Part List ID

GZ4633

4

Pos	Part no.	Qty	Description
1	107402652	1	600D W.SOUNDPROOFING
2	302001914	1	HANDLE SUBASSE
3	909100084	2	SCREW M6X140
4	302000380	1	CABLE HOOK
5	302000375	1	SWITCH BOX
5	302001888	1	LABEL NILFISK IVB 5-H-M PC
5	302001921	1	LABEL CONTROL PANEL IVB-7
6	302001426	1	Electonic Flow
6	302001427	1	ELECTRONIC FLOW MEASUREME
7	18274	2	COUNTERSUNK SCREW
8	909100231	1	TURNING KNOB GR.1 6X5 PP GREY
9	9868	1	O RING
10	302004034	1	SOCKET 16A/250V EU
10	302004336	1	SOCKET 13A/250V
11	11256	2	STEEL SCREW 35 X 18
12	107400575	1	TURNING KNOB FOR POTI- BLACK
13	107400576	1	O-RING 21X11.5
14	107402842	1	OUTLET 2P AND PE 16A 110V
15	50598	4	SCREW M5X20
16	7417	4	HEXAGON NUT
17	302000429	1	ELECTRONIC POTENTIOMETER
18	11379	1	HOSE DN 3 X 1.5
19	25871	1	BRACKET
20	11254	1	STEEL SCREW 35 X 10
21	14418	1	SCREW
22	107400579	1	PIEZO BUZZER
23	302000428	1	FLOW SENSOR
24	55416	1	O-RING
25	107400578	1	HOSE CLAMP D10
26	302001284	1	LABEL WARNING 'H'
27	302001285	1	LABEL WARNING M
28	302000955	1	LABEL
29	107402641	1	POWER CORD H05RR-F 3G1.5X8X2
30	107400270	1	CORD H05RR
31	302000692	1	POWER CORD H07BQ

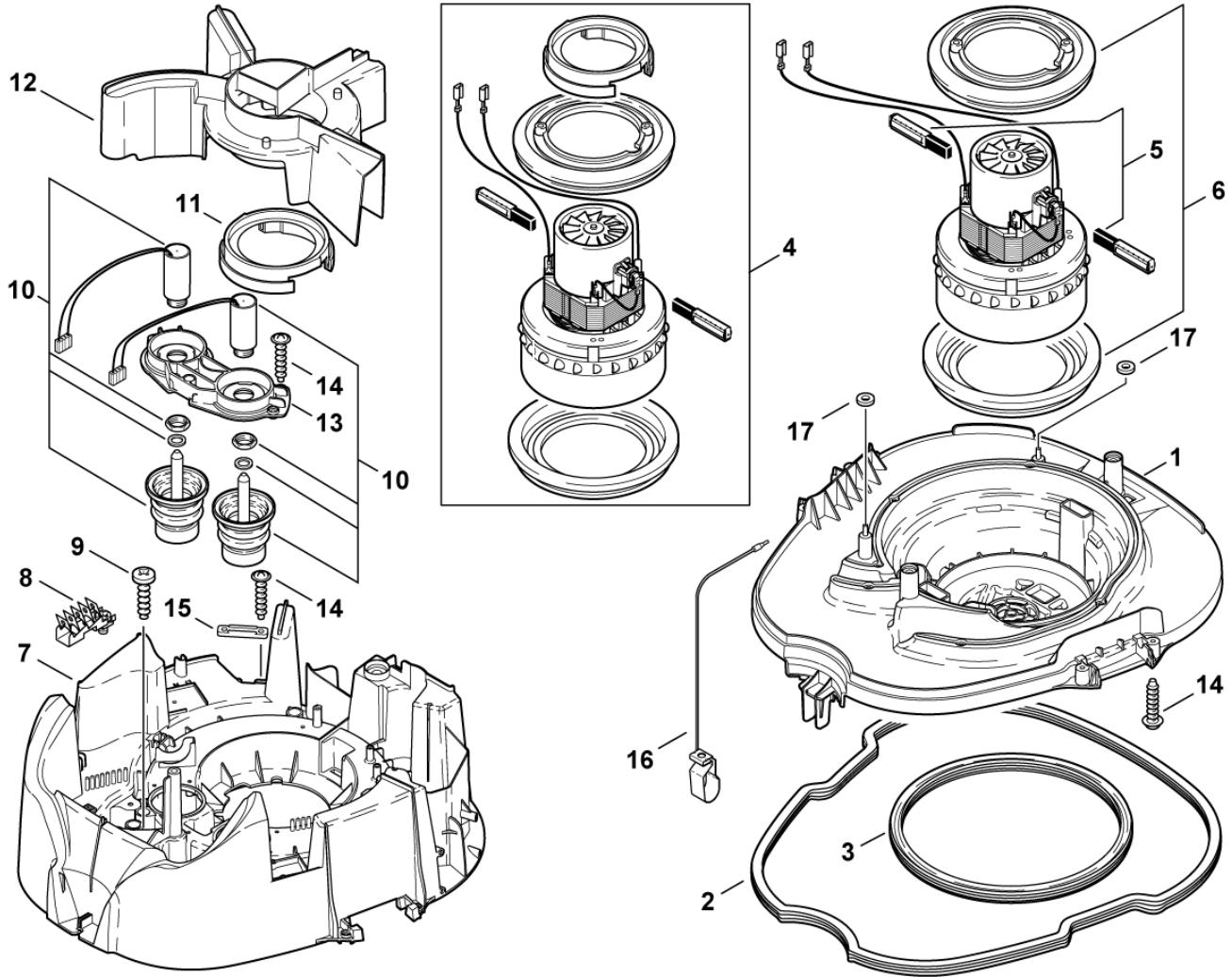
Base, motor

IVB 5/7

24-12-2013

Part List ID
G24635

5



Base, motor

IVB 5/7

24-12-2013

Part List ID

GZ4635

6

Pos	Part no.	Qty	Description
1	302000511	1	BASE
2	302000637	1	GASKET FOR CONTAINER
3	302000697	1	GASKET FILTER
4	26784	1	ELECTRIC MOTOR 110 -120
4	49594	1	MOTOR 220V WAS 30756(SQ 4 50.55
5	26775	1	CARBON BRUSHES
5	49625	1	CARBON BRUSHES-PAIR
6	28875	1	RING
6	42538	1	MOTOR BEARING RING SET
7	302001657	1	SUPPORTING PLATE
8	302000755	1	TERMINAL STRIP
9	909100138	8	SCREW 5X20
10	107402635	2	ELECTROMAGNET 24 V KIT
10	302000217	2	Electromagnet 12V
11	47036	1	SEALS WAS 11225
12	302000373	1	AIR DUCT ATTIX 5
13	302000388	1	FRAME 190X90X18 PP
14	11256	1	STEEL SCREW 35 X 18
15	5697	1	COVER PLATE
16	61174	1	EARTHING CABLE
17	62359	2	GASKET

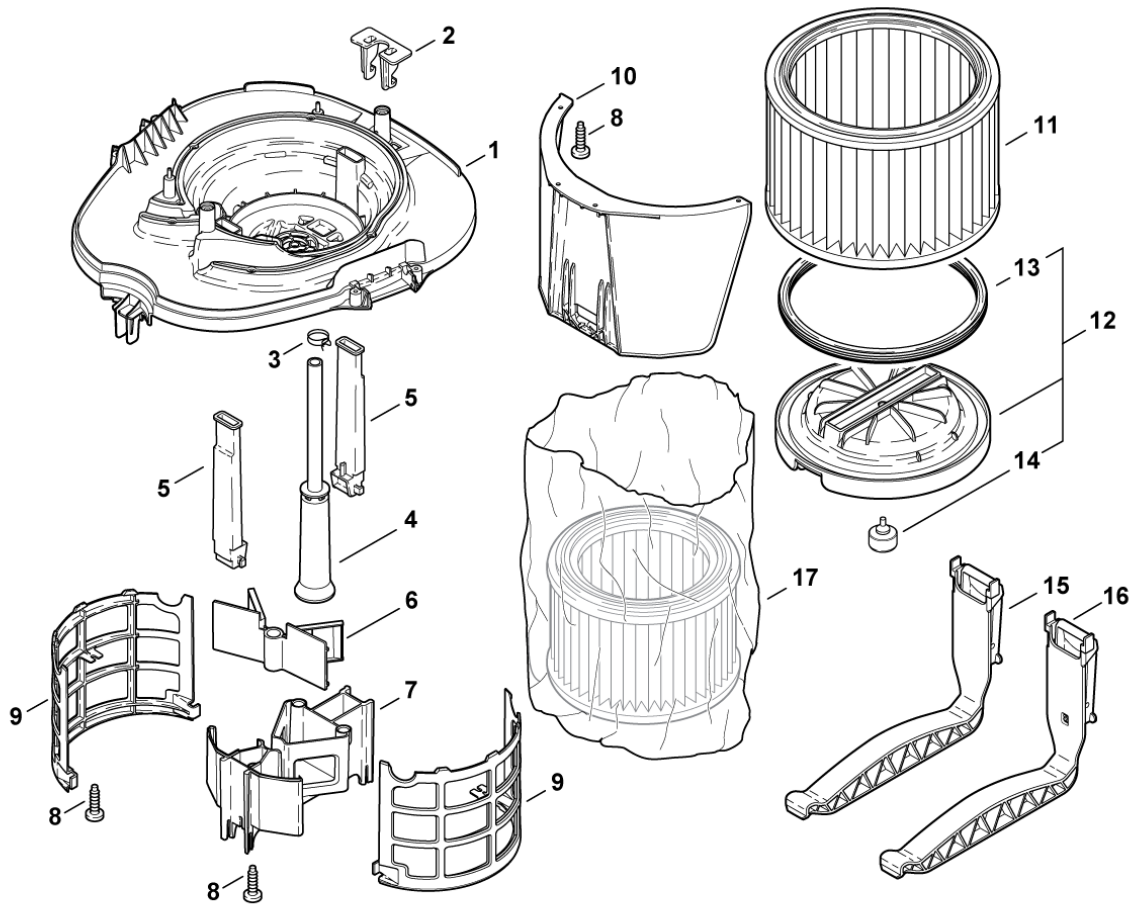
Filter, cleaning system

IVB 5/7

24-12-2013

Part List ID
G24637

7



Filter, cleaning system

IVB 5/7

24-12-2013

Part List ID

GZ4637

8

Pos	Part no.	Qty	Description	
1	302000511	1	BASE	
2	302000512	1	FIXATION 72X32X52	
3	909100137	1	BAND CLAMP FITTING 19	
4	302001473	1	HOSE D40x396	
4	303000516	1	HOSE	
5	302000514	2	GASKET	
6	302000387	1	FLAP 158x64x68	
7	302000386	1	COVER 211x151x118	
8	909100138	9	SCREW 5X20	
9	302000385	2	FILTER SUPPORT CAGE 216X 93x177	
10	107402640	1	Deflector	
11	107400562	1	FILTER ELEMENT D275x187 PET NANO & META	M-Class
11	107400564	1	FILTER ELEMENT D275x187 H CLASS	H-Class
11	302000751	1	FILTER ELEMENT D275X182 K it	M-Class
12	107402653	1	FILTER SURFACE PLATE	
13	302000697	1	GASKET FILTER	
14	302000515	1	PLUG Ø 33X37	
15	107402651	1	TENSION JACK	
16	302001139	1	TENSION JACK H	
17	30082	1	FILTER PROTECTING BAG (10 BAG)	

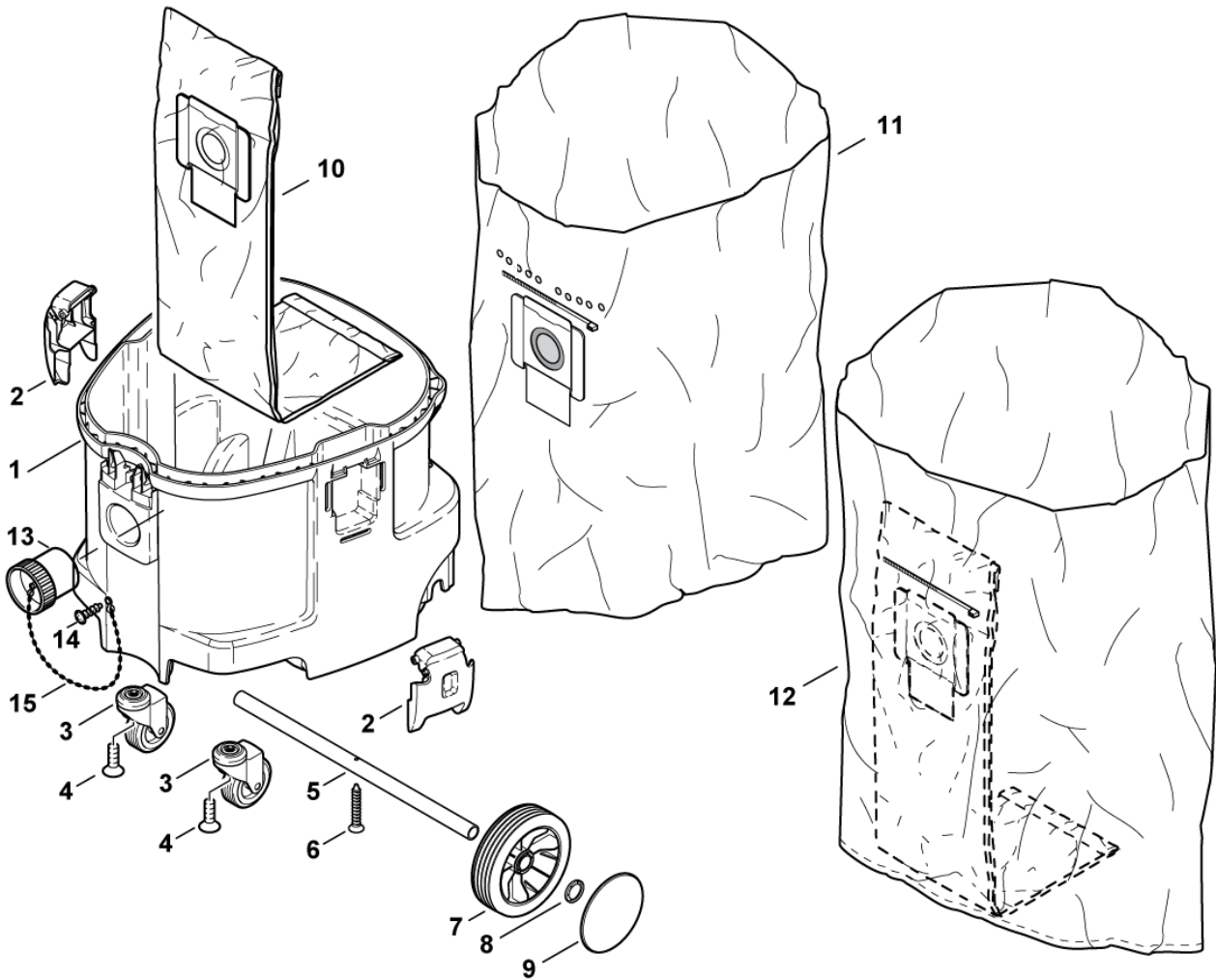
Container IVB 5

IVB 5/7

24-12-2013

Part List ID
G24639

9



Container IVB 5

IVB 5/7

24-12-2013

Part List ID
GZ4639

10

Pos	Part no.	Qty	Description
1	302001905	1	CONTAINER IVB-5
2	302000349	2	LOCKING CLAMP
3	107409103	1	CASTOR
4	909100164	2	COUNTERSUNK SCREW M8X25
5	107402649	1	AXLE 20X1.5X440
6	909100085	1	SCREW 5X35
7	302000639	2	WHEEL
8	47302	2	RING
9	302001322	2	HUB CAP
10	302001138	1	FILTER BAG SET5
11	302001311	1	DUST BAGS ATTIX 5 NEUTRAL PK 5
12	302001143	1	FBAGS ATTIX 5 H XC 5pcs
13	14775	1	PLASTIC STOPPER
14	24738	2	SCREW
15	30080	1	KUGELKETTE

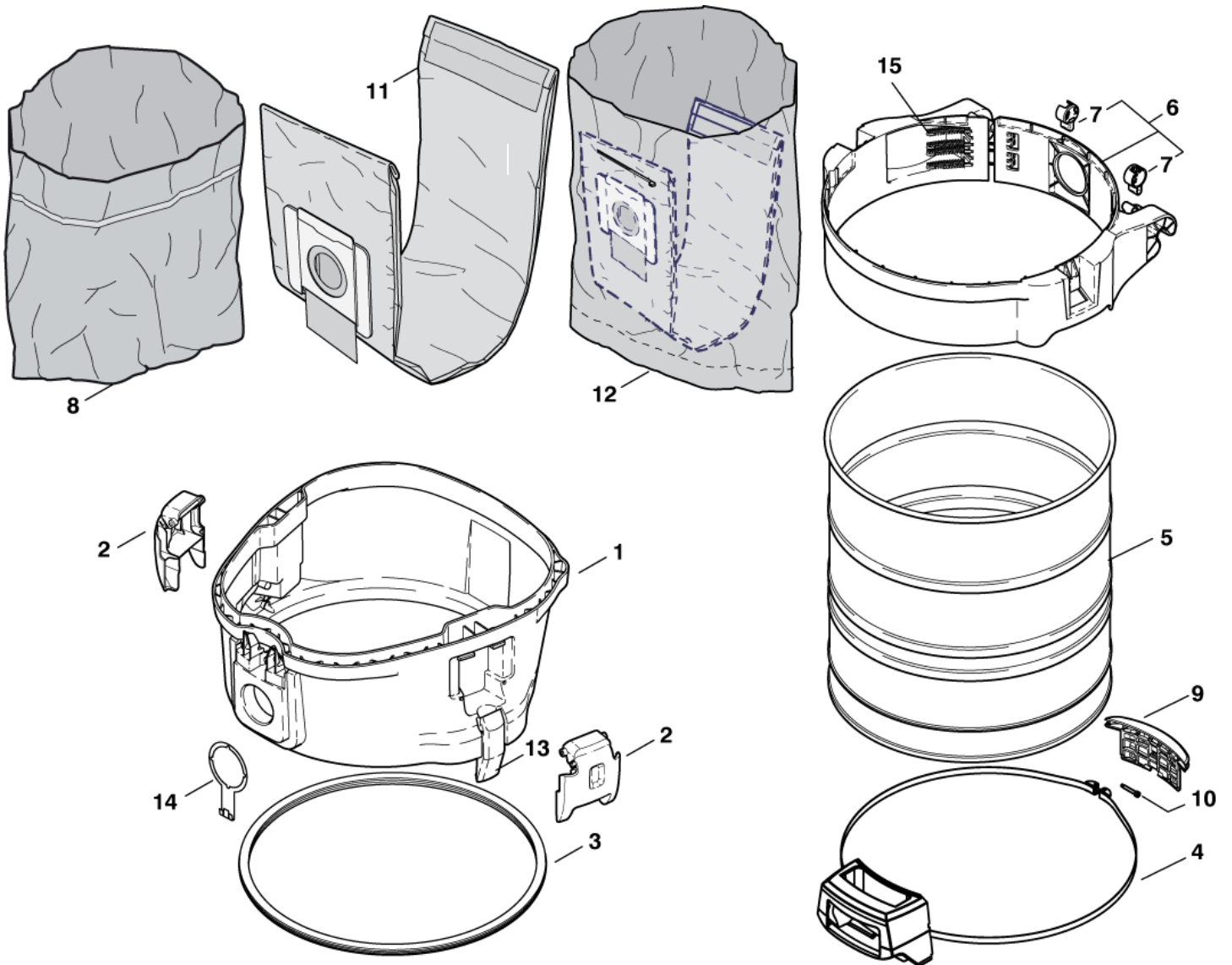
Container IVB 7

IVB 5/7

24-12-2013

Part List ID
G246311

11



Container IVB 7

IVB 5/7

24-12-2013

Part List ID
G246311

12

Pos	Part no.	Qty	Description
1	302001883	1	ADAPTER RING INST IVB7
2	302000349	2	LOCKING CLAMP
3	302001432	1	GASKET CONTAINER
4	302001605	1	HANDLE W/ TAPE
5	107402657	1	Container
6	302002038	1	BELT CONTAINER Ø480 IVB-7
7	302001441	2	INTERLOCK CONTAINER ATTIX
8	302001480	1	DISP BAG ATTIX 7 5pcs
9	302001363	1	HOLDER 155X55X35
10	302001613	1	SWITCH
11	302001909	1	FILTER BAG IVB-7 KIT-5
12	302001912	1	SAFETY FILTER BAG IVB-7 PK 5
13	19880	1	FIXING CLAMP WAS 11370\19 881
14	107400145	1	Ground connector-attix 7
15	909100383	1	SPRING 1.40X7.5X113

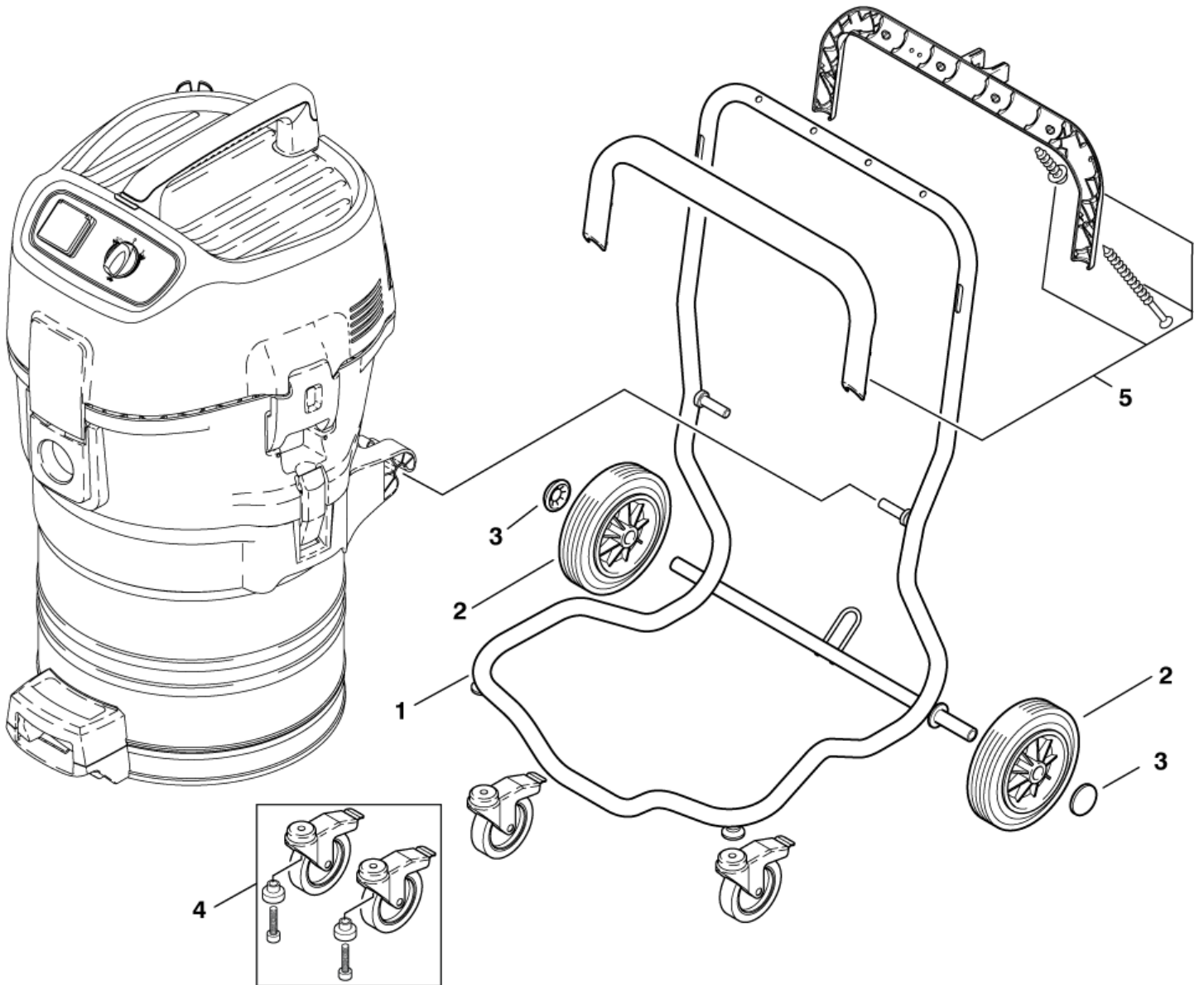
Frame

IVB 5/7

24-12-2013

Part List ID
G246313

13



Frame

IVB 5/7

24-12-2013

Part List ID
G246313

14

Pos	Part no.	Qty	Description
1	302001437	1	FRAME BLACK
2	107401077	2	WHEEL
3	3750	2	WHEEL CAP
4	107401054	2	CASTOR TURNABLE WITH BRAKE KIT
5	302001706	1	Handle set-1, upper and l

Antistat kit 38 mm

IVB 5/7

24-12-2013

Part List ID
IVB357KIT1

15



Antistat kit 38 mm

IVB 5/7

24-12-2013

Part List ID
IVB35/KI1.1

16

Pos	Part no.	Qty	Description
1	80601000	1	ANTISTAT KIT 38MM MULTIFIT 38
11	L02956200	1	CONE FLEXIBLE 38MM
12	10944000	1	CURVED STEEL TUBE 38MM
13	10950200	1	ROUND BRUSH 38MM X 75MM
14	11027200	1	STEEL TUBE 38MM X 560MM
15	140 3816 020	1	HARD FLOOR NOZZLE 38MM
16	82245300	1	HOSE CONDUCT.PLAST 38/3M
17	80601400	1	MULTIFIT CONNECTOR

Mach. kit 38 mm polyurethan

IVB 5/7

24-12-2013

Part List ID
IVB357KIT2

17



Mach. kit 38 mm polyurethan

IVB 5/7

24-12-2013

Part List ID

IVB35/KI12

18

Pos	Part no.	Qty	Description
1	80601100	1	MACH.KIT 38MM POLYURETHAN MULTIFIT 38
11	L03066203	1	TRANS.PUR H HOSE 3M/38
12	71917000	1	CURVED TUBE 38MM WITH BALL STAINLESS STEEL
13	82169700	1	GULPER NOZZLE BLACK OIL RESISTANT 38MM 25X90MM
14	82167900	1	RUBBER CONE BLACK OIL RESISTANT 38MM 315MM
15	80601400	1	MULTIFIT CONNECTOR

Mac/floor kit 38 mm polyurethan

IVB 5/7

24-12-2013

Part List ID
IVB357KIT3

19



Mac/floor kit 38 mm polyurethan

IVB 5/7

24-12-2013

Part List ID
IVB35/K113

20

Pos	Part no.	Qty	Description
1	80601200	1	MAC/FLOOR KIT 38MM POLYUR MULTIFIT 38
11	L03066203	1	TRANS.PUR H HOSE 3M/38
12	71917000	1	CURVED TUBE 38MM WITH BALL STAINLESS STEEL
13	82169700	1	GULPER NOZZLE BLACK OIL RESISTANT 38MM 25X90MM
14	82167900	1	RUBBER CONE BLACK OIL RESISTANT 38MM 315MM
15	82168000	1	WHEELED FLOOR NOZZLE 38MM WITH ADJ OIL RESIST BLADE
16	11916000	1	TUBE ST/STEEL 630MM X 38MM
17	80601400	1	MULTIFIT CONNECTOR

Mac/floor 38 mm rubber

IVB 5/7

24-12-2013

Part List ID
IVB357KIT4

21



Mac/floor 38 mm rubber

IVB 5/7

24-12-2013

Part List ID
IVB35/KI14

22

Pos	Part no.	Qty	Description
1	80601300	1	MAC/FLOOR KIT 38MM RUBBER MULTIFIT 38 RUBBERHOSE
11	82169700	1	GULPER NOZZLE BLACK OIL RESISTANT 38MM 25X90MM
12	140 3816 020	1	HARD FLOOR NOZZLE 38MM
13	11027200	1	STEEL TUBE 38MM X 560MM
14	80956200	1	PLASTIC CONE 38MM X 200MM
15	10944000	1	CURVED STEEL TUBE 38MM
16	11342900	1	Hose rubber 38mm x 2m
17	80601400	1	MULTIFIT CONNECTOR

RECOMMENDED SPARE PARTS

IVB 5/7

24-12-2013

Part List ID

G246315

23

No Drawing For Part List

RECOMMENDED SPARE PARTS

IVB 5/7

24-12-2013

Part List ID
G246315

24

Pos	Part no.	Qty	Description
1	107400145	1	Ground connector-attix 7
1	107400270	1	CORD H05RR
1	107400564	1	FILTER ELEMENT D275x187 H CLASS H-CLASS
1	107400575	1	TURNING KNOB FOR POTI- BLACK
1	107400579	1	PIEZO BUZZER
1	107401054	1	CASTOR TURNABLE WITH BRAKE KIT
1	107401077	1	WHEEL
1	107402635	1	ELECTROMAGNET 24 V KIT
1	107402641	1	POWER CORD H05RR-F 3G1.5X8X2
1	107402651	1	TENSION JACK
1	107409103	1	CASTOR
1	11379	1	HOSE DN 3 X 1.5
1	14775	1	PLASTIC STOPPER
1	26784	1	ELECTRIC MOTOR 110 -120
1	30082	1	FILTER PROTECTING BAG (10 BAG)
1	302000217	1	Electromagnet 12V
1	302000349	1	LOCKING CLAMP
1	302000373	1	AIR DUCT ATTIX 5
1	302000385	1	FILTER SUPPORT CAGE 216X 93x177
1	302000386	1	COVER 211x151x118
1	302000387	1	FLAP 158x64x68
1	302000428	1	FLOW SENSOR
1	302000429	1	ELECTRONIC POTENTIOMETER
1	302000511	1	BASE
1	302000512	1	FIXATION 72X32X52
1	302000637	1	GASKET FOR CONTAINER
1	302000639	1	WHEEL
1	302000692	1	POWER CORD H07BQ
1	302000697	1	GASKET FILTER
1	302000751	1	FILTER ELEMENT !275X182 K it M-CLASS
1	302000955	1	LABEL
1	302001138	1	FILTER BAG SET5
1	302001139	1	TENSION JACK H
1	302001143	1	FBAGS ATTIX 5 H XC 5pcs
1	302001284	1	LABEL WARNING 'H'
1	302001285	1	LABEL WARNING M
1	302001311	1	DUST BAGS ATTIX 5 NEUTRAL PK 5
1	302001426	1	Electonic Flow
1	302001427	1	ELECTRONIC FLOW MEASUREME
1	302001432	1	GASKET CONTAINER
1	302001441	1	INTERLOCK CONTAINER ATTIX
1	302001480	1	DISP BAG ATTIX 7 5pcs
1	302001613	1	SWITCH

RECOMMENDED SPARE PARTS

IVB 5/7

24-12-2013

Part List ID
G246315

25

Pos	Part no.	Qty	Description
1	302001657	1	SUPPORTING PLATE
1	302001909	1	FILTER BAG IVB-7 KIT-5
1	302001912	1	SAFETY FILTER BAG IVB-7 PK 5
1	302004034	1	SOCKET 16A/250V EU
1	302004336	1	SOCKET 13A/250V
1	3750	1	WHEEL CAP
1	42538	1	MOTOR BEARING RING SET
1	47302	1	RING
1	49594	1	MOTOR 220V WAS 30756(SQ 4 50.55
1	49625	1	CARBON BRUSHES-PAIR
1	55416	1	O-RING
1	61174	1	EARTHING CABLE
1	62359	1	GASKET
1	909100164	1	COUNTERSUNK SCREW M8X25
1	909100231	1	TURNING KNOB GR.1 6X5 PP GREY