

# GU 305-355-455-DUAL

---

Model:  
GU 305  
GU 355  
GU 355-DUAL  
GU 455-DUAL



Part List US-English

31-03-2015

# Table of Contents

GU 305-355-455-DUAL

<b>Body</b>	<b>3</b>
<b>Base</b>	<b>5</b>
<b>Filters</b>	<b>7</b>
<b>Nozzles and tube</b>	<b>9</b>
<b>RECOMMENDED SPARE PARTS</b>	<b>11</b>

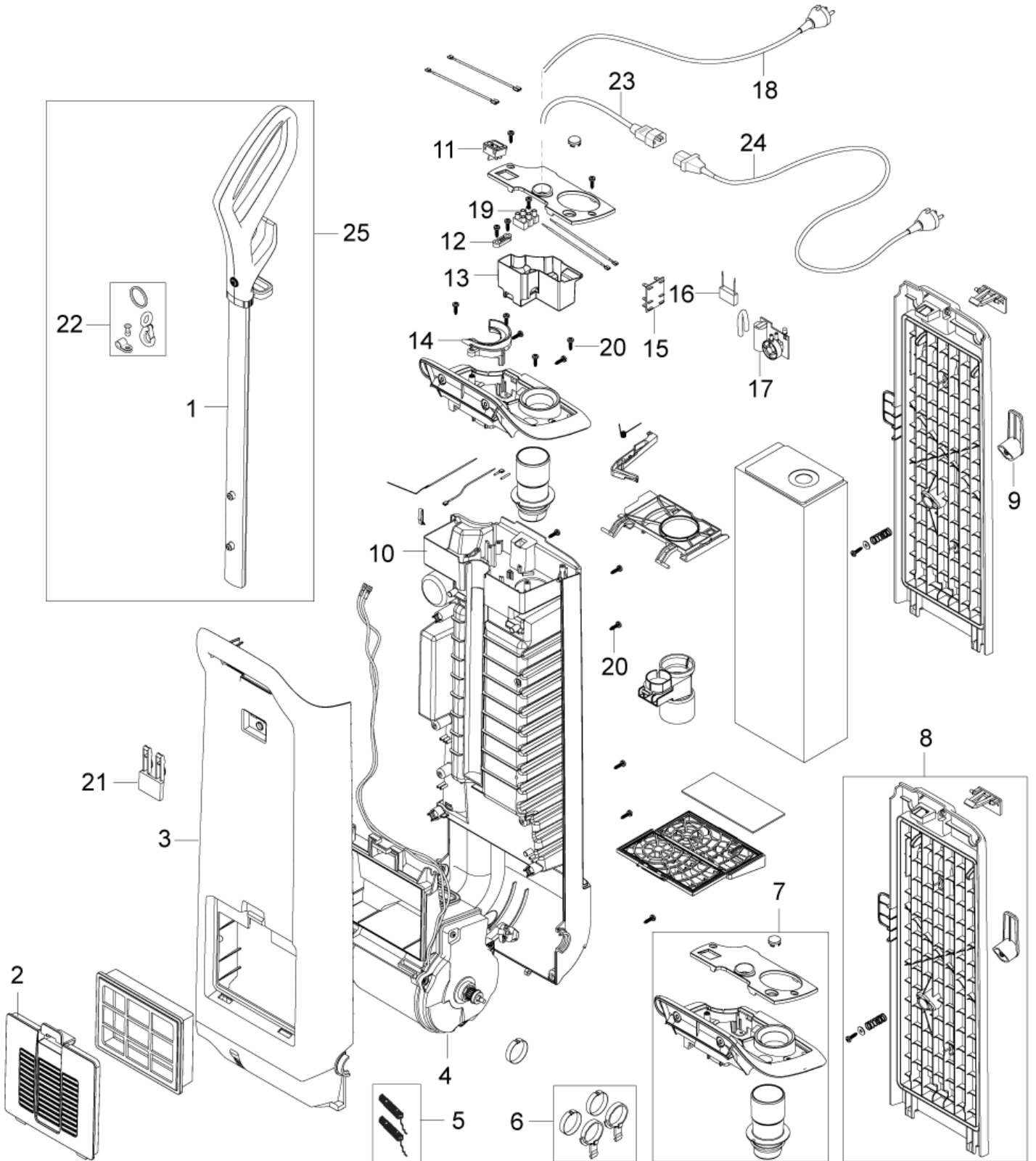
# Body

GU 305-355-455-DUAL

31-03-2015

Part List ID  
GU30508

3



# Body

GU 305-355-455-DUAL

31-03-2015

Part List ID  
GU30508

4

Pos	Part no.	Qty	Description
0	147 0976 000	1	BOX 15 SMU
0	147 0982 000	1	BOX 18 DUM
1	147 0833 500	1	HANDLE COMPLETE
2	147 0965 500	1	COVER EXHAUST FILTER.GREY
2	147 0965 510	1	COVER EXHAUST FILTER.BLUE
3	147 0847 500	1	COVER BODY FRONT. GREY
3	147 0847 510	1	COVER BODY FRONT. BLUE
4	147 0864 500	1	MOTOR CASSETTE 220-240V
4	147 0864 510	1	MOTOR CASSETTE 110-120V
4	147 0864 520	1	VACUUM MOTOR CASSETTE 100V
5	147 1326 500	1	CARBON BRUSH KIT
6	147 0927 500	1	JOINT BASE TO BODY W RING
7	147 0842 500	1	COVER TOP KIT. GREY
7	147 0842 510	1	COVER TOP KIT. BLUE
8	147 0857 500	1	LID CPL. GREY
8	147 0857 510	1	LID CPL. BLUE
9	147 0852 500	1	HOOK FOR CORD
10	147 0850 500	1	COVER BODY REAR GREY
10	147 0850 510	1	COVER BODY REAR BLUE
11	140 5496 510	1	SWITCH UL KIT
12	056 1014 060	1	ANTI-STRAIN CLIP BLACK
13	147 0843 500	1	ELECTRIC BOX
14	147 1062 500	1	HOLDER TUBE
15	140 7024 500	1	BOARD ANTI STATIC
16	140 8166 010	1	CAPACITOR
17	147 0987 500	1	BAG FULL DEVICE
18	12003801	1	CORD SET EU CPL. L 15M
18	12003802	1	CORD SET UK CPL. L 15M
18	12003803	1	CORD SET AU/NZ CPL. L 15M
18	12003805	1	CORD SET JP CPL. L 15M
18	140 3859 640	1	CORD SET US/TW 15M YELLOW
18	147 0504 510	1	CORD SET CN 15M
19	82240100	1	TERMINAL BLOCK UL MATERIAL
20	140 9214 040	22	SCREW PTK TORX 40X14 MM FZB
21	107401794	1	MUSTANG BUTTON BLACK

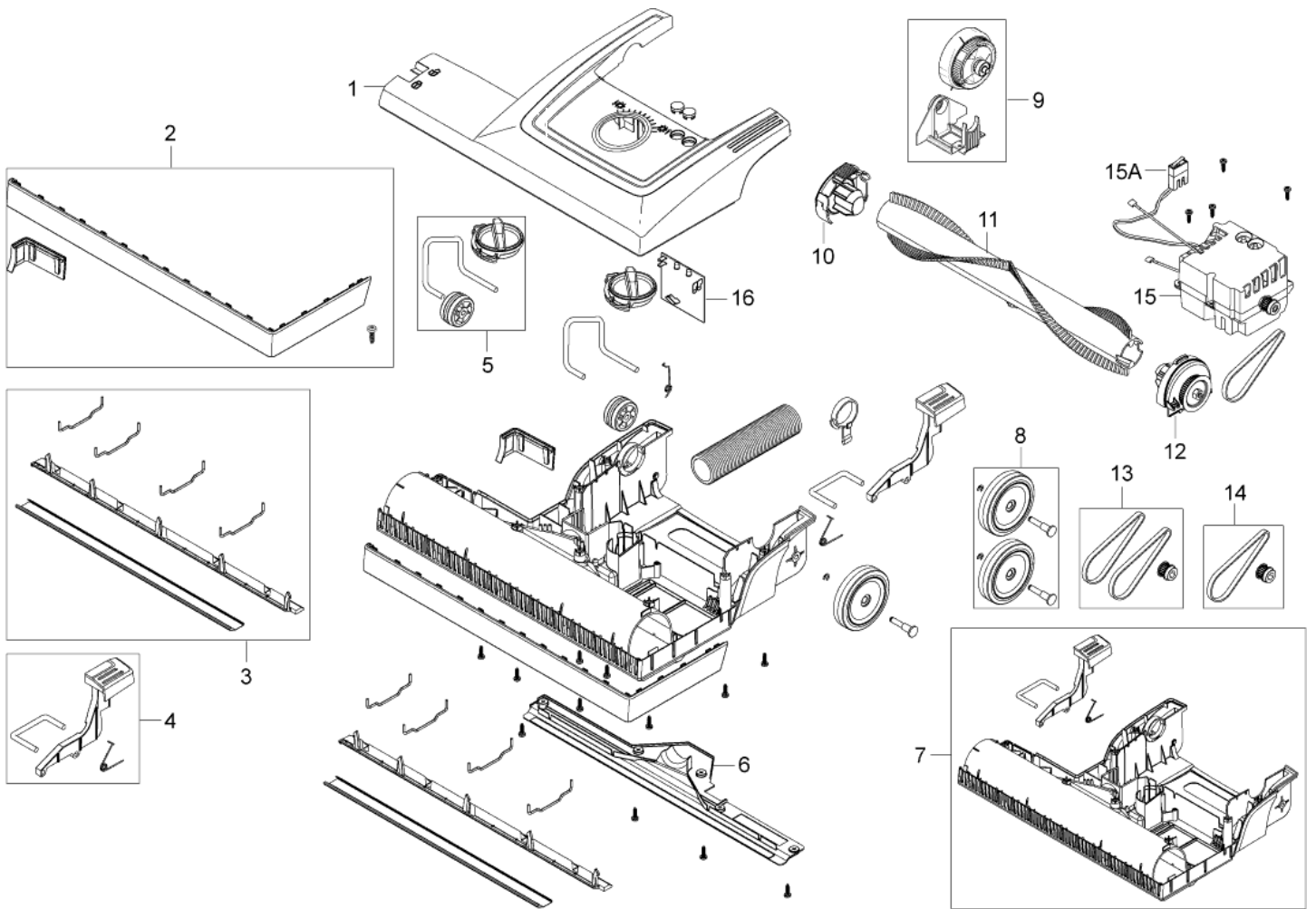
# Base

GU 305-355-455-DUAL

31-03-2015

Part List ID  
GU30504

5



# Base

GU 305-355-455-DUAL

31-03-2015

Part List ID  
GU30504

6

Pos	Part no.	Qty	Description	
1	147 0924 500	1	COVER BRUSH HOUSE. GREY	305
1	147 0924 510	1	COVER BRUSH HOUSE. BLUE	12"/305
1	147 0924 600	1	COVER BRUSH HOUSE. GREY	305 incl. lens
1	147 0924 610	1	COVER BRUSH HOUSE. BLUE	12"/305 incl. lens
1	147 0925 500	1	COVER BRUSH HOUSE.GREY	355
1	147 0925 510	1	COVER BRUSH HOUSE.BLUE	15"/355
1	147 0925 610	1	COVER BRUSH HOUSE. BLUE	15"/355 incl. lens
1	147 0926 500	1	COVER BRUSH HOUSE. GREY	455
1	147 0926 510	1	COVER BRUSH HOUSE BLUE	18"/455
2	147 0886 500	1	BUMPER KIT 12 INCH/305	
2	147 0889 500	1	BUMPER KIT 15 INCH/355	
2	147 0892 500	1	BUMPER KIT 18 INCH/455	
3	147 0992 500	1	SUPPORT BRUSH KIT 12INCH	12"/305
3	147 0992 510	1	SUPPORT BRUSH KIT 15INCH	15"/355
3	147 0992 520	1	SUPPORT BRUSH KIT 18INCH	18"/455
4	147 0935 500	1	PEDAL W SHAFT AND SPRING	
5	147 0901 500	1	ROLLER KIT	
6	147 0988 500	1	BRUSH SHOE 12 INCH/305	
6	147 0989 500	1	BRUSH SHOE 15/355	
6	147 0990 500	1	BRUSH SHOE 18/455	
7	147 0885 500	1	CHASSIS 12 INCH /305	
7	147 0888 500	1	CHASSIS 15 INCH/355	
7	147 0891 500	1	CHASSIS 18 INCH/455	
8	147 0898 500	1	WHEEL KIT	
9	147 0906 500	1	CLUTCH AND BEARING KIT	
10	147 0944 500	1	COVER	
11	147 0930 500	1	BRUSH 12 INCH/305	
11	147 0930 510	1	BRUSH 15 INCH	
11	147 0930 520	1	BRUSH 18 INCH/455	
12	147 0913 500	1	END CAP BRUSCH LEFT W BEARING	
13	147 0905 500	1	DRIVE BELT KIT	
14	147 0905 510	1	DRIVE BELT KIT DOUBLE MOTOR	
15	147 0984 500	1	MOTOR CASSETTE 220-240V	
15	147 0984 510	1	MOTOR CASSETTE 100-120V	
16	107401946	1	PCB 230V KIT	
16	107401947	1	PCB 120V KIT	

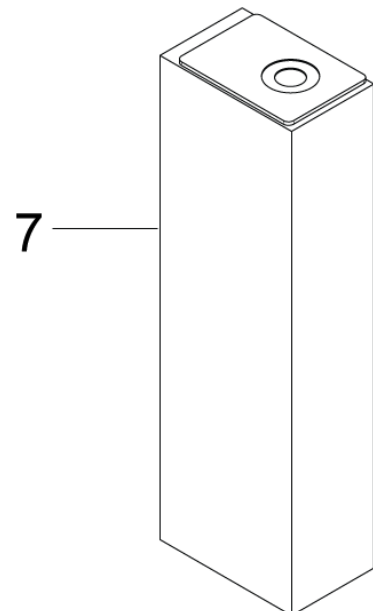
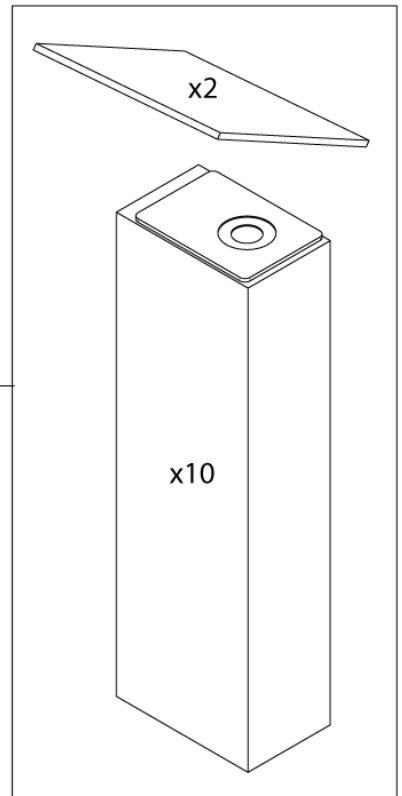
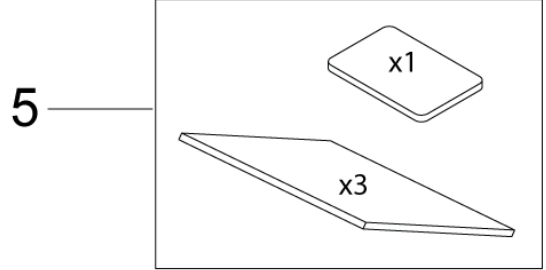
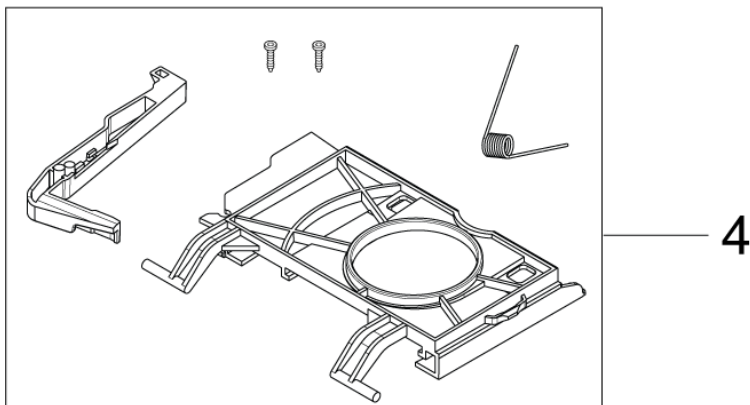
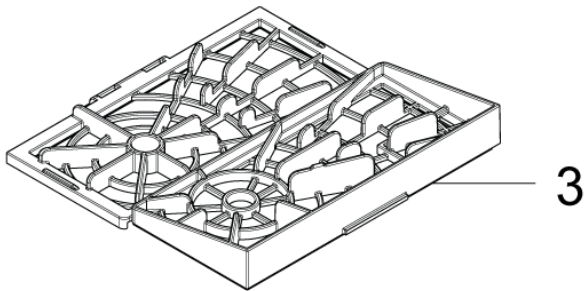
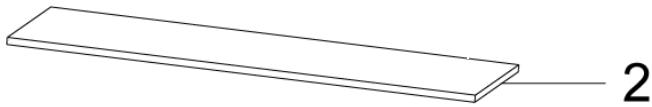
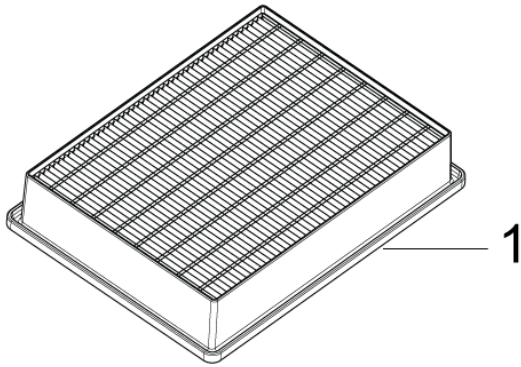
# Filters

GU 305-355-455-DUAL

31-03-2015

Part List ID  
B10939

7



# Filters

GU 305-355-455-DUAL

31-03-2015

Part List ID

B10939

8

Pos	Part no.	Qty	Description
1	147 1250 600	1	HEPA FILTER
2	147 0966 500	1	EXHAUST FILTER
3	147 0958 500	1	HOLDER PRE FILTER KIT with 1 Prefilter
4	147 0854 500	1	HOLDER DUST BAG KIT
5	147 0960 500	1	PRE FILTER with 1 fragrance chip and 3 Prefilters
6	107413584	1	DUST BAG 10PCS FOR GU SERIE with 10 bags and 2 Prefilters
7	147 1059 500	1	DUST BAG REUSEABLE



# Nozzles and tube

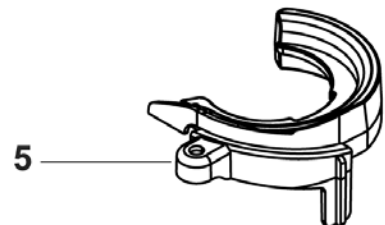
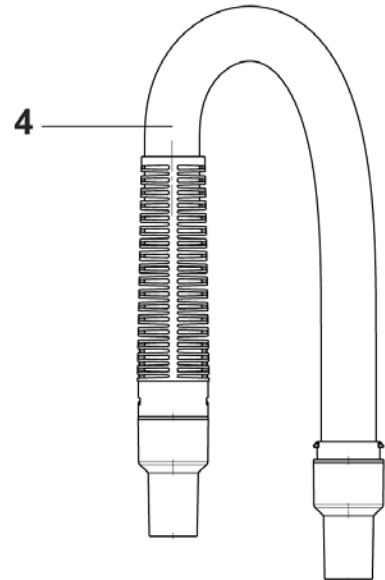
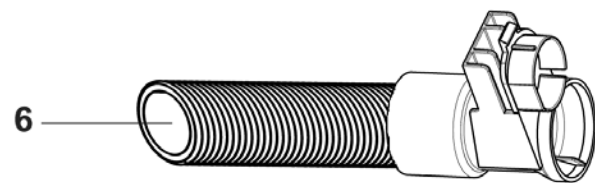
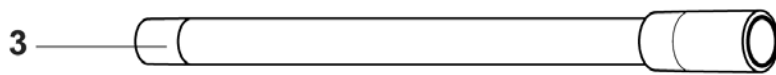
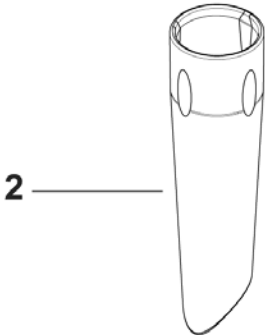
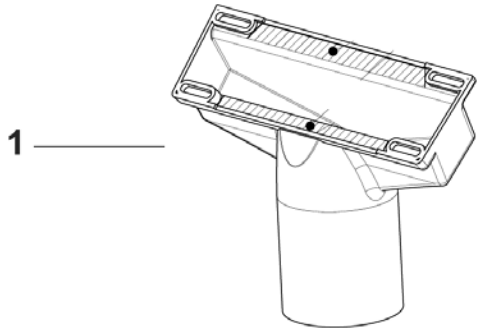
GU 305-355-455-DUAL

31-03-2015

Part List ID

B109311

9



# Nozzles and tube

GU 305-355-455-DUAL

31-03-2015

Part List ID  
B109311

10

Pos	Part no.	Qty	Description
1	147 1205 500	1	UPHOLSTERY NOZZLE D32
2	147 1203 500	1	CREVICE NOZZLE D32
3	147 0851 500	1	EXTENSION TUBE 35MM
4	147 0950 500	1	HOSE STRETCHABLE
5	147 1062 500	1	HOLDER TUBE
6	147 0919 500	1	ADAPTER BASE TO TUBE W.HOSE

# RECOMMENDED SPARE PARTS

GU 305-355-455-DUAL

31-03-2015

Part List ID

B109313

11

No Drawing For Part List

# RECOMMENDED SPARE PARTS

GU 305-355-455-DUAL

31-03-2015

Part List ID

B109313

12

Pos	Part no.	Qty	Description
0	107401946	1	PCB 230V KIT
0	107401947	1	PCB 120V KIT
0	12003801	1	CORD SET EU CPL. L 15M
0	12003802	1	CORD SET UK CPL. L 15M
0	12003803	1	CORD SET AU/NZ CPL. L 15M
0	12003805	1	CORD SET JP CPL. L 15M
0	140 3859 640	1	CORD SET US/TW 15M YELLOW
0	140 5496 510	1	SWITCH UL KIT
0	140 7024 500	1	BOARD ANTI STATIC
0	140 8166 010	1	CAPACITOR
0	147 0504 510	1	CORD SET CN 15M
0	147 0833 500	1	HANDLE COMPLETE
0	147 0864 500	1	MOTOR CASSETTE 220-240V
0	147 0864 510	1	MOTOR CASSETTE 110-120V
0	147 0864 520	1	VACUUM MOTOR CASSETTE 100V
0	147 0898 500	1	WHEEL KIT
0	147 0905 500	1	DRIVE BELT KIT
0	147 0905 510	1	DRIVE BELT KIT DOUBLE MOTOR
0	147 0913 500	1	END CAP BRUSCH LEFT W BEARING
0	147 0930 500	1	BRUSH 12 INCH/305
0	147 0930 510	1	BRUSH 15 INCH
0	147 0930 520	1	BRUSH 18 INCH/455
0	147 0935 500	1	PEDAL W SHAFT AND SPRING
0	147 0944 500	1	COVER
0	147 0960 500	1	PRE FILTER
0	147 0966 500	1	EXHAUST FILTER
0	147 0984 500	1	MOTOR CASSETTE 220-240V
0	147 0984 510	1	MOTOR CASSETTE 100-120V
0	147 0987 500	1	BAG FULL DEVICE
0	147 0992 500	1	SUPPORT BRUSH KIT 12INCH
0	147 0992 510	1	SUPPORT BRUSH KIT 15INCH
0	147 0992 520	1	SUPPORT BRUSH KIT 18INCH