

VP300 / GD 111

Model:
VP300
VP300 eco



Part List English

26-11-2014

Table of Contents

VP300 / GD 111

Summary (GD 111 / VP300)	3
Accessories	5
RECOMMENDED SPARE PARTS	7

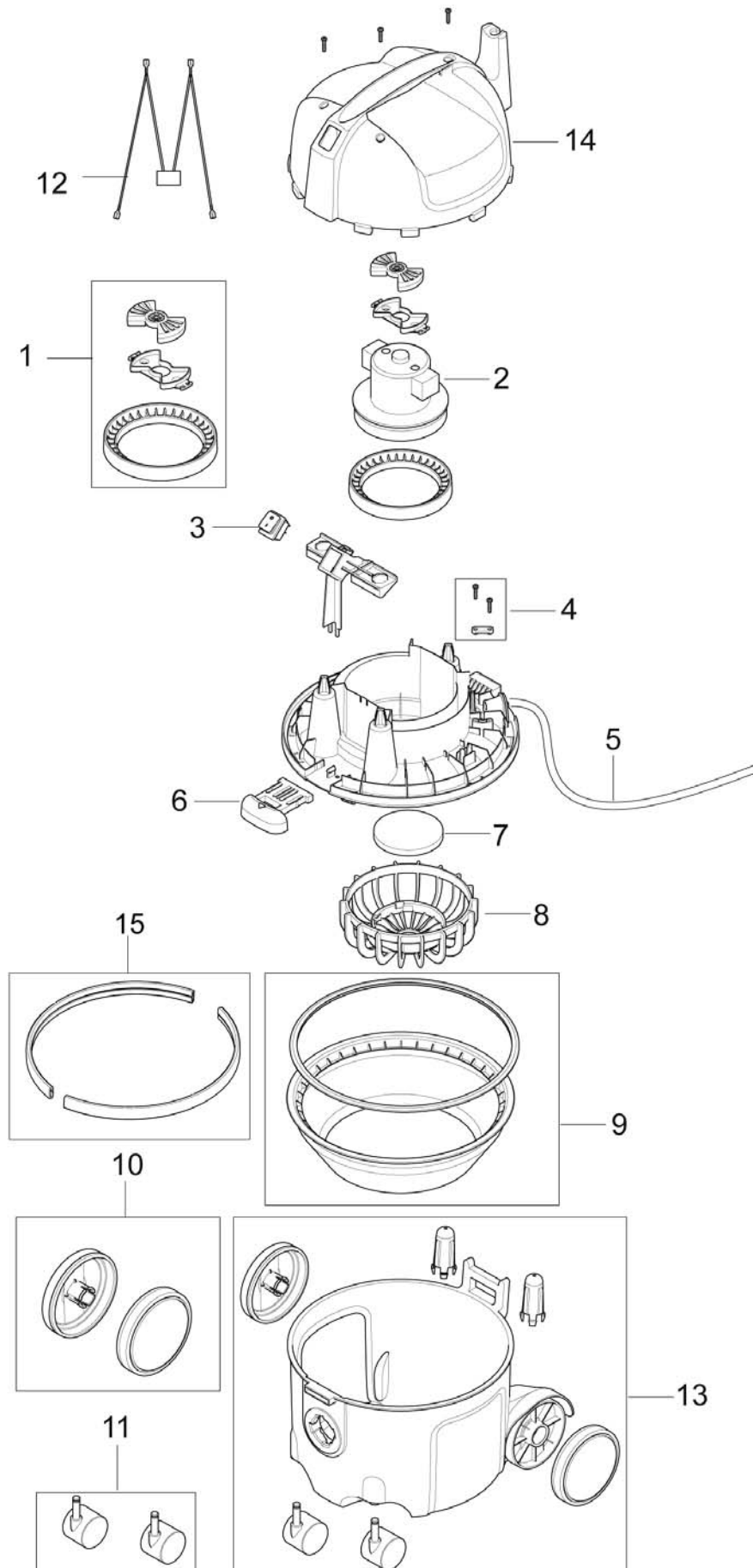
Summary (GD 111 / VP300)

VP300 / GD 111

26-11-2014

Part List ID
GD11102

3



Summary (GD 111 / VP300)

VP300 / GD 111

26-11-2014

Part List ID
GD11102

4

Pos	Part no.	Qty	Description	
0	147 1436 000	1	BOX GD111 & SALTIX 10	
1	147 0660 500	1	MOTOR SUSPENSION KIT GD910	
2	107402675	1	FAN UNIT 1200W TCO KIT	EU
2	107407518	1	FAN UNIT 220-240V 900W CN KIT	CN
2	147 1428 500	1	FAN UNIT 230-240	EU
2	147 1429 500	1	FAN UNIT 110-120V 900W TCO	US
2	147 1430 500	1	FAN UNIT 100V 900W TCO	JP
3	140 9537 500	1	SWITCH TWO POLE 2 PCS	
4	140 6560 500	1	ANTI STRAIN CLIP	
5	107403731	1	CORDSET 15.5 M JP	JP
5	140 3608 600	1	CORD SET 10.5M US/TW	US
5	140 6643 580	1	CORD SET 10.5M UK	UK
5	140 6676 570	1	CORD SET AU NZ 10M	AU
5	140 6800 650	1	CORD SET 10M EU	EU
5	147 0504 540	1	CORD SET 10.5M CHINA	CN
6	147 1409 500	1	LATCH	
7	147 0670 500	1	FILTER MOTOR KIT GD910	
8	147 0669 500	1	BASKET SACK FILTER GD910	
9	147 1432 500	1	SACK FILTER CPL	Accessory
10	140 8458 500	1	WHEEL KIT 2 REAR WHEELS	
11	140 6422 500	1	LINK WHEELS KIT 2 WHEELS	
12	107407519	1	SUPPRESSOR UNIT CCC L350 KIT	CN
12	140 7620 530	1	SUPPRESSOR EU/UK/AU/NZ GWD 350-2/375-2	
13	107406056	1	CONTAINER VP300	
14	107408800	1	COVER TOP FOR VP300 KIT	
14	107410002	1	COVER TOP SALTIX 10 KIT	
15	107410399	1	BUMPER LIGHT GREY SET	

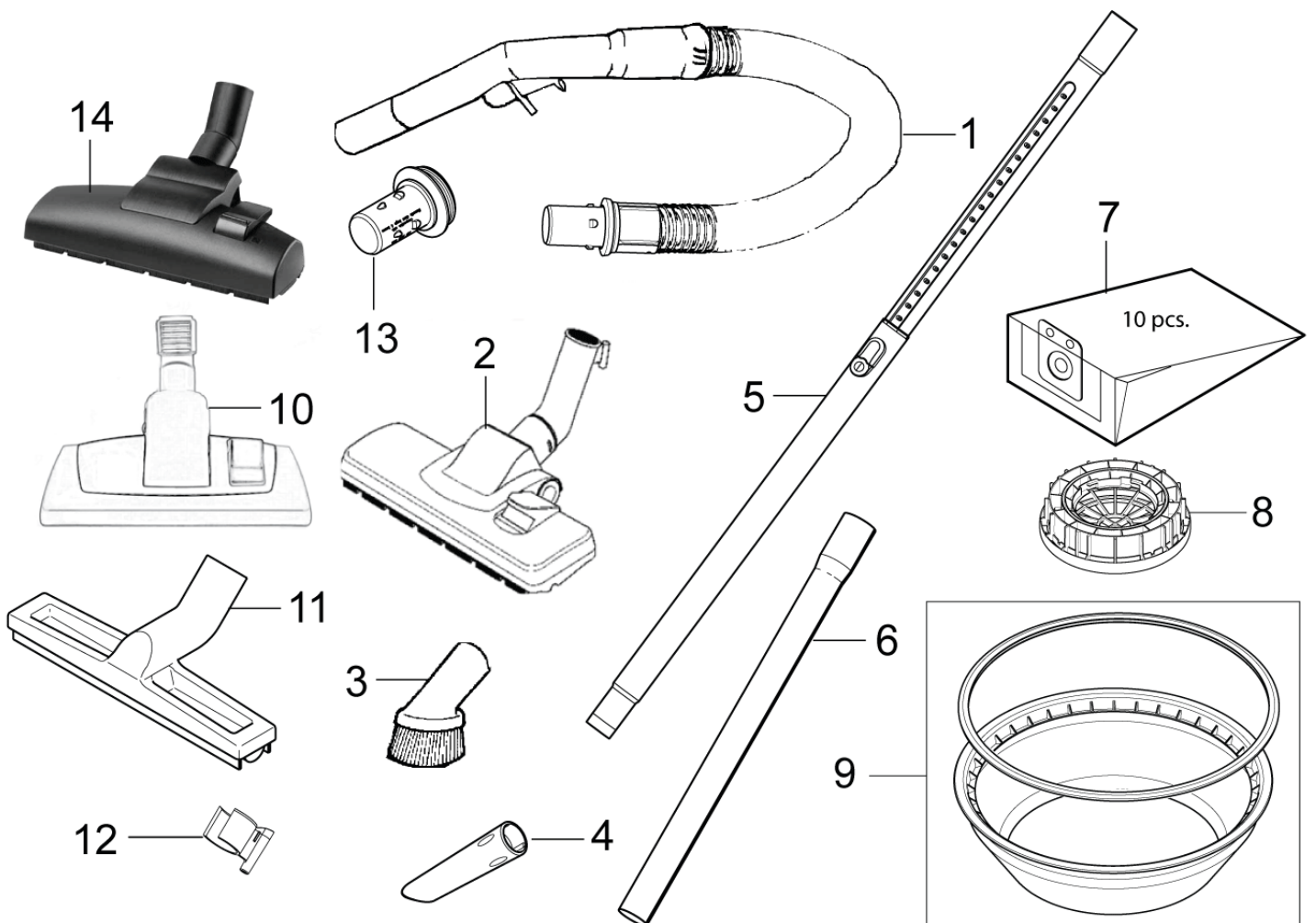
Accessories

VP300 / GD 111

26-11-2014

Part List ID
GD11106

5



Accessories

VP300 / GD 111

26-11-2014

Part List ID
GD11106

6

Pos	Part no.	Qty	Description	
1	147 0765 500	1	HOSE CPL BLACK	
2	107403122	1	COMB NOZZLE D252 KIT	
2	107405141	1	SPAREPART COMBI NOZZLE VC300JP	JP
3	140 8244 500	1	BRUSH NOZZLE KIT	
4	147 0146 500	1	CREVICE NOZZLE D32 L153 B	
5	011 8130 500	1	TELESCOPIC TUBE 32MM	GD111, VP300
5	107403804	1	TELESCOPIC TUBE	GD111 X-tra, VP300 HEPA
6	011 6431 500	2	TUBE 32MM X 500MM LONG	
6	140 8246 040	2	STEEL TUBE 32MM X 500MM	
7	140 8618 000	1	DUST BAG 10L 10 PCS GD 2000 SERIES	
8	107402902	1	HEPA FILTER BOXED	VP300 HEPA
9	147 1432 500	1	SACK FILTER CPL	
10	140 8492 510	1	ROLLER COMBI NOZZLE	
10	140 8492 520	1	COMBI NOZZLE	VP300 HEPA
11	140 6700 540	1	HARD FLOOR NOZZLE	
12	147 0585 500	1	PARKING CLIP SVART	
13	107401199	1	20 PCS ADAPTER TO USE COMPETITOR BAGS & HOSES	
14	107411677	1	COMBI NOZZLE RD277 KIT	VP300

RECOMMENDED SPARE PARTS

VP300 / GD 111

26-11-2014

Part List ID

GD11108

7

No Drawing For Part List

RECOMMENDED SPARE PARTS

VP300 / GD 111

26-11-2014

Part List ID
GD11108

8

Pos	Part no.	Qty	Description
0	107402675	1	FAN UNIT 1200W TCO KIT
0	140 3608 600	1	CORD SET 10.5M US/TW US
0	140 6422 500	1	LINK WHEELS KIT 2 WHEELS
0	140 6560 500	1	ANTI STRAIN CLIP
0	140 6643 580	1	CORD SET 10.5M UK
0	140 6800 650	1	CORD SET 10M EU
0	140 7620 530	1	SUPPRESSOR EU/UK/AU/NZ GWD 350-2/375-2
0	140 8458 500	1	WHEEL KIT 2 REAR WHEELS
0	140 9537 500	1	SWITCH TWO POLE 2 PCS
0	147 0660 500	1	MOTOR SUSPENSION KIT GD910
0	147 0669 500	1	BASKET SACK FILTER GD910
0	147 0670 500	1	FILTER MOTOR KIT GD910
0	147 1409 500	1	LATCH
0	147 1428 500	1	FAN UNIT 230-240
0	147 1429 500	1	FAN UNIT 110-120V 900W TCO US
0	147 1432 500	1	SACK FILTER CPL